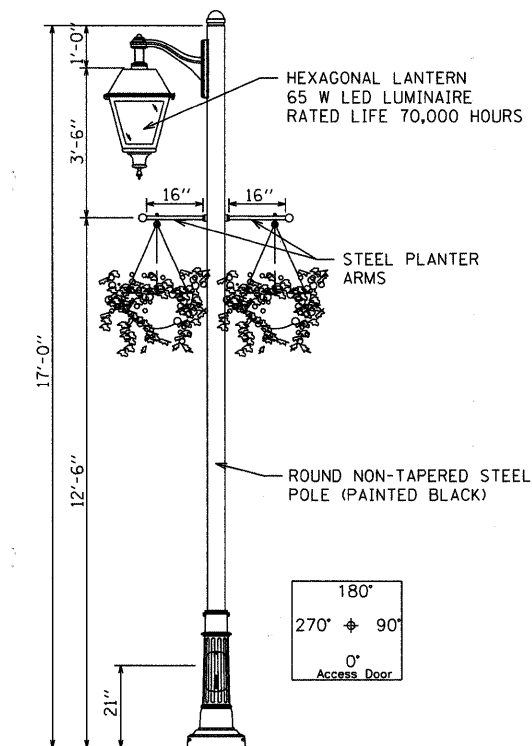
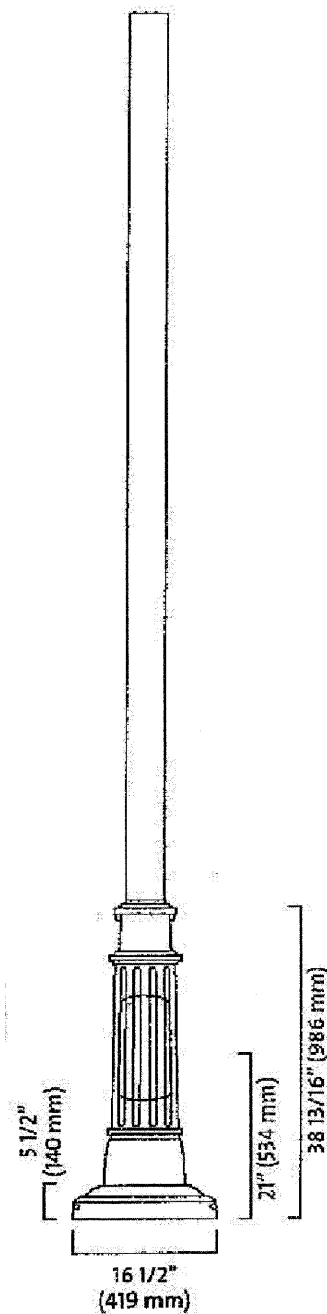


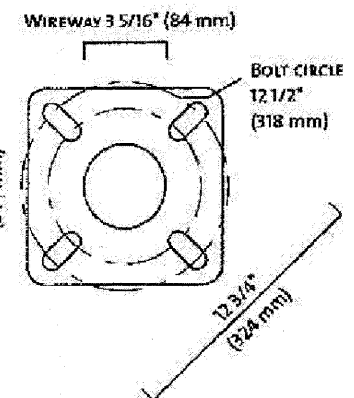
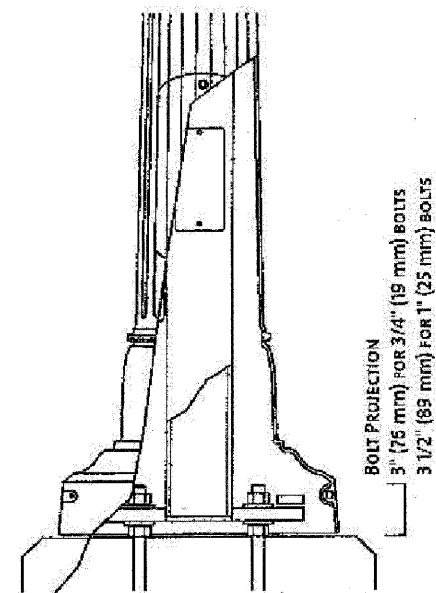
LIGHT POLE DETAIL



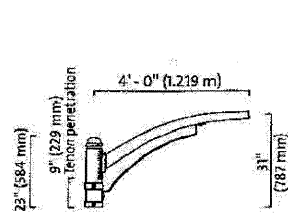
LIGHT POLE DETAIL



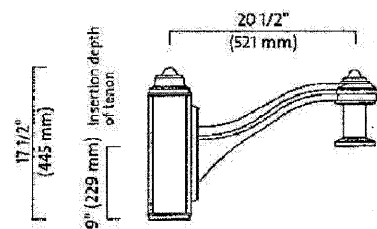
LIGHT POLE BASE DETAIL



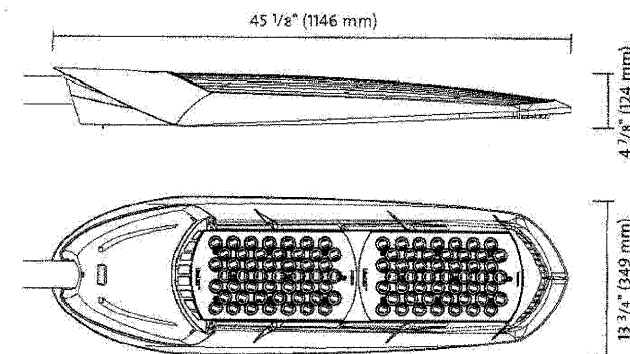
LANTERN DETAIL



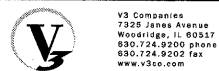
STREET ARM DETAIL



LANTERN ARM DETAIL



STREET LIGHT



USER NAME = #USER#
PLOT SCALE = #SCALE#
PLOT DATE = 1/7/2011

DESIGNED - HEV
DRAWN - DRP
CHECKED - MJR
DATE - 12-22-10

REVISED -
REVISED -
REVISED -
REVISED -

WEST BARTLETT ROAD
STREETSCAPE

CONSTRUCTION DETAILS
STREET LIGHT POLE

SCALE: NONE SHEET NO. 1 OF 4 SHEETS

F.A. RTE.	SECTION	COUNTY	TOTAL SHEETS	SHEET NO.
	10-00068-00-LT	COOK	30	25
CONTRACT NO. 63512				
ILLINOIS FED. AID PROJECT				