

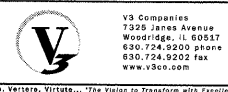
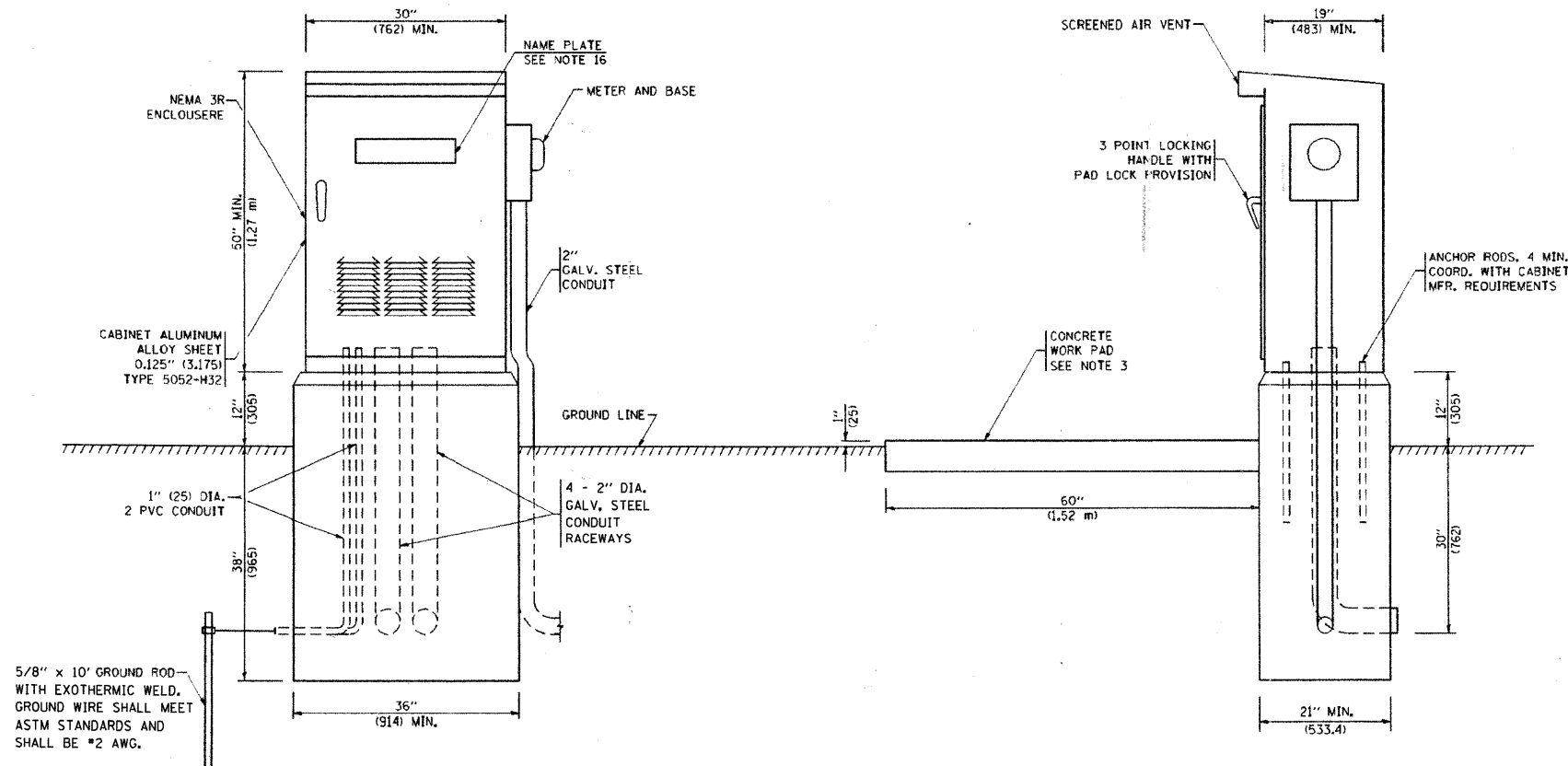
PANEL WIRING DIAGRAM

PANEL EQUIPMENT

BILL OF MATERIAL		
ITEM	QUANTITY	DESCRIPTION
A	1	MAIN CIRCUIT BREAKER, 2 POLE, 600 VOLT 100 AMP. FRAME, 100 AMP. NON-INTERCHANGEABLE TRIP, INTERRUPTING RATING NEMA-22000 AMP. AT 240 VOLT.
B	1	REMOTE CONTROL SWITCH, ELECTRICALLY OPERATED, MECHANICALLY HELD, 2 POLE, SINGLE THROW, 100 AMP., 600 VOLTS CONTROL CIRCUIT 120 VOLT.
C	6	CIRCUIT BREAKERS, 2 POLE, 100AMP. FRAME, 30 AMP. NON-INTERCHANGEABLE TRIP INTERRUPTING RATING NEMA-10,000 AMP. AT 240 V.
D	2	CONTROL CIRCUIT-CIRCUIT BREAKER, 1 POLE, 120 V., 100 AMP. FRAME, 15 AMP. NON-INTERCHANGEABLE TRIP INTERRUPTING RATING NEMA-5000 AMP. AT 120 V.
E	1	INTERMATIC MODEL NO. ET173C CONTROLLER (TIME SWITCH WIRED IN SERIES WITH PHOTOCELL) WITH PHOTOCELL MOUNTED IN VENT SLOTS OF CABINETS OVERHANG.
H	1	SPST 20A SWITCH ON DOOR, TO TURN LIGHT ON WHEN DOOR IS OPEN.
I	1	INCANDESCENT LIGHTING FIXTURE ENCLOSED AND GASKETED WITH 60 WATT, 120 V. LAMP.
J	1	20 A., 120 V., DUPLEX RECEPTACLE, GFCI.
K	1	COPPER NEUTRAL BUS 1/4" (6.35) X 1" (25.4) X 12" (304.8 mm) LONG MOUNTED ON PANEL WITH LUGS AND 4 SPARE LUGS
L	2	TOGGLE SWITCHES MOUNTED IN 4" (101.6) X 4" (101.6 mm) BOX.
M	1	COPPER GROUND BUS 1/4" (6.35) X 1" (25.4) X 12" (304.8 mm) LONG MOUNTED ON PANEL WITH LUGS AND SPARE LUGS

NOTES:

- ALL DIMENSIONS ARE IN INCHES (MILLIMETERS) UNLESS OTHERWISE SHOWN.
- FOUNDATION SIZE SHALL BE COORDINATED WITH CABINET SIZE AND MFR.
- IN FRONT OF CONTROL CABINET DOOR, REMOVE VEGETATION AND 2" (50.8 mm) TOP SOIL, LEVEL THE AREA AND ON TOP, PLACE LENGTH WISE PARALLEL TO CONTROL CABINET, A CONCRETE PAD 36" (914.4 mm) x 60" (1524 mm) x 4" (101 mm) MIN. SIZE. THE COST OF LABOR AND MATERIALS ARE INCLUDED IN THE COST OF THE CONTROLLER.
- DOOR SHALL BE CONSTRUCTED FROM SAME TYPE OF MATERIAL AND THICKNESS AS CABINET.
- DOOR SHALL BE EQUIPPED WITH THREE POINT LATCHING MECHANISM WITH NYLON ROLLERS AT TOP THE BOTTOM.
- DOOR HINGE SHALL BE A HEAVY GAUGE CONTINUOUS HINGE WITH A 1/4" (6.35 mm) DIA. STAINLESS STEEL HINGE PIN.
- ALL EXTERNAL HARDWARE SHALL BE STAINLESS STEEL.
- CONTROL WIRING TO BE #12 AWG, 600V, TYPE "SIS" GRAY SWITCH BOARD WIRE, STRANDED COPPER.
- METER BOX SHALL BE MOUNTED ON THE SIDE OF CONTROL CABINET, NEAR TO THE SERVICE POLE.
- CABINETS SHALL BE PRIMED AND PAINTED AS SPECIFIED.
- THE HEADS OF CONNECTORS SCREWS SHALL BE PAINTED WHITE FOR NEUTRAL BAR CONNECTION AND GREEN FOR GROUND BAR CONNECTORS.
- ALL WIRING WITHIN THE CABINET SHALL BE COLOR CODED AS INDICATED.  
R = RED      BL = BLUE      W = WHITE  
B = BLACK      Y = YELLOW      G = GREEN
- PROVIDE SEALING GROMMETS FOR ALL OPEN WIRING EXTENDED FROM DEVICES IN BOXES OR CABINETS WITHIN THE CONTROL CABINET.
- ALL WIRING SHALL BE NEATLY DRESSED AND SUPPORTED.
- THE CONTROLLER SHALL BE CONSTRUCTED TO U.L. STD. 508 AND BEAR THE U.L. LABEL "ENCLOSED INDUSTRIAL CONTROL PANEL".
- 12" (304.8) x 16" (406.4 mm) STAINLESS STEEL EXTERIOR NAMEPLATE SHALL BE ENGRAVED TO "VILLAGE OF BARTLETT LIGHTING CONTROLS" UNLESS OTHERWISE SPECIFIED.
- PHOTOCELL SHOULD CONTROL THE SYSTEM. TIME CLOCK SHOULD HAVE THE ABILITY TO OVERRIDE THE PHOTOCELL.



USER NAME = #USER#  
 PLOT SCALE = #SCALE#  
 PLOT DATE = 1/17/2011

DESIGNED - HEV  
 DRAWN - DRP  
 CHECKED - MJR  
 DATE - 12-22-10

REVISED -  
 REVISED -  
 REVISED -  
 REVISED -

WEST BARTLETT ROAD  
STREETSCAPE

CONSTRUCTION DETAILS  
LIGHTING CONTROL - SINGLE DOOR

SCALE: NONE SHEET NO. 3 OF 4 SHEETS

F.A. RTE.	SECTION	COUNTY	TOTAL SHEETS	SHEET NO.
	10-00068-00-LT	COOK	30	27
CONTRACT NO. 63512				
ILLINOIS FED. AID PROJECT				