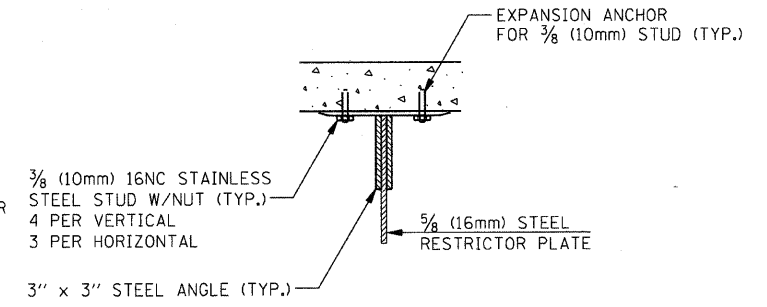
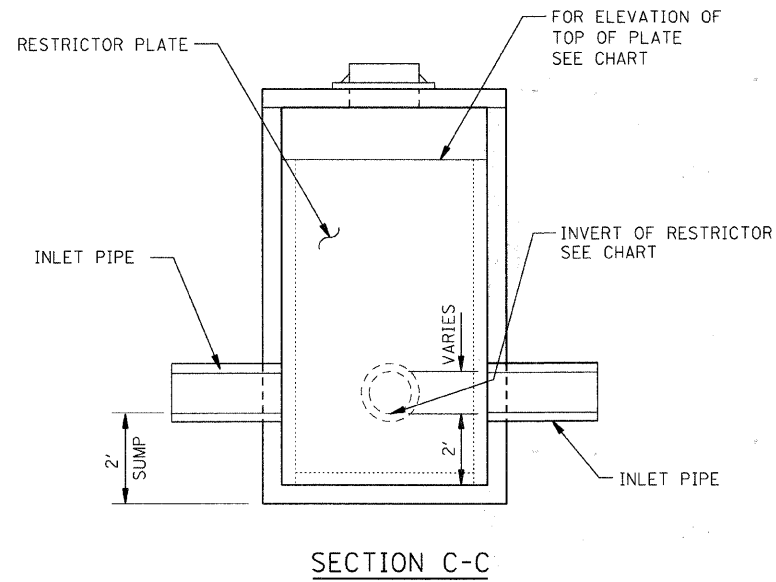
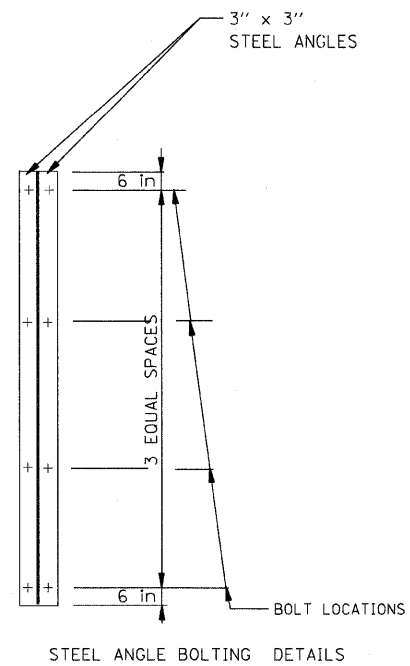
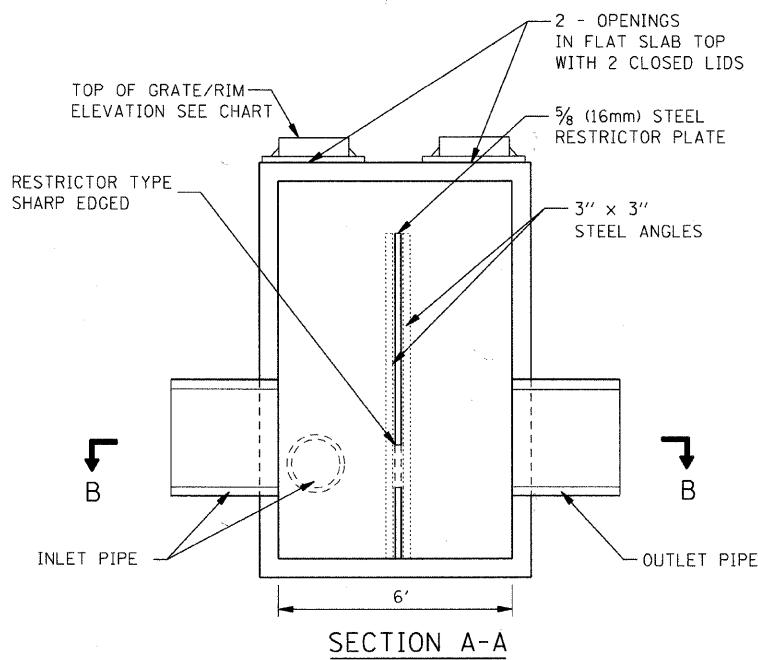
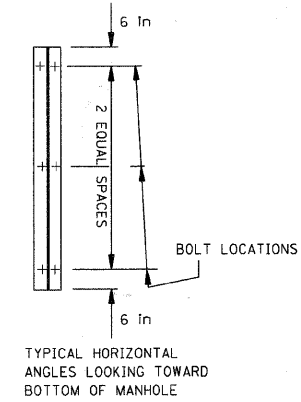
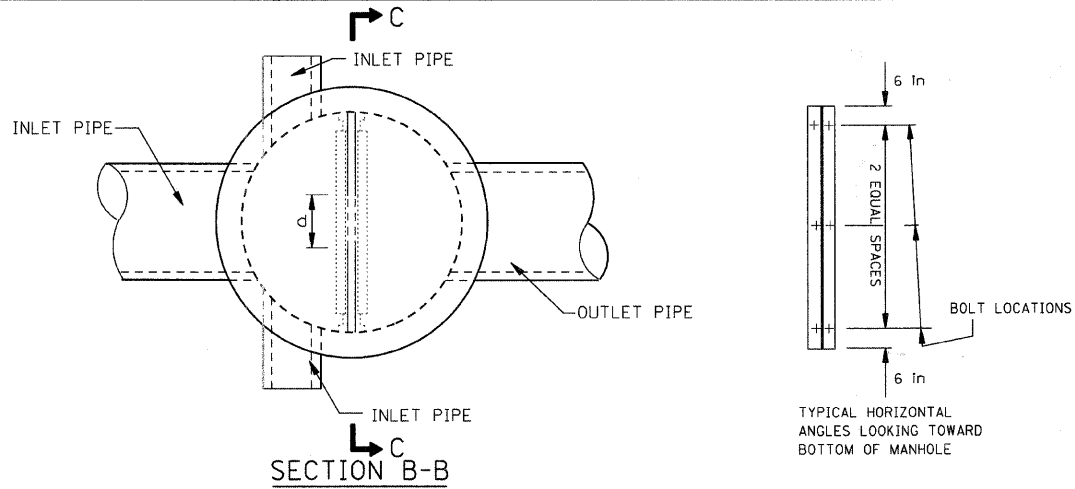
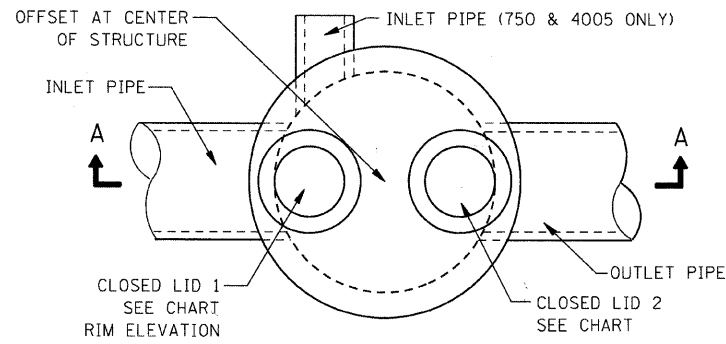
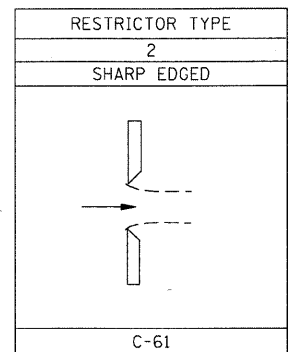


F.A.U. RTE.	SECTION	COUNTY	TOTAL SHEETS	SHEET NO.
0085	00-00246-02-FP	MCHENRY	292	107
STA.		TO STA.		
FED. ROAD DIST. NO. 1		ILLINOIS FED. AID PROJECT		
CONTRACT NO: 63522				



OUTLET TUBE DETAIL



ROUND DRAINAGE STRUCTURE WITH RESTRICTOR PLATE
N.T.S.

RESTRICTOR CHART

STRUCT NO	DIA FOOT	FRAME AND GRATE TYPE, RIM		REST. TYPE	RESTRICTOR SIZE, DIA.	RESTRICTOR INVERT	ELEVATION OF TOP OF PLATE OVERFLOW	
		1	2					
526	6	T1 CL	909.0	T1 CL	2	22.0"	901.45	905.7
750	6	T1 CL	926.7	T1 CL	2	20.0"	921.45	924.4
4005	6	T1 CL	914.5	T1 CL	2	8.0"	905.25	908.1
5013	6	T1 CL	903.35	T1 CL	2	15.0"	891.5	900.0

1. ALL STEEL ANGLES AND PLATES TO BE GALVANIZED AFTER FABRICATION
2. ALL RESTRICTOR PLATES, ANGLES AND HARDWARE TO BE INCLUDED IN THE COST OF THE DRAINAGE STRUCTURE.
3. TOP SLAB SHALL BE CAST WITH OPENINGS TO ACCOMODATE TWO TYPE 1 FRAMES. REINFORCEMENT BARS SHALL BE ADJUSTED TO ACCOMODATE FRAMES
4. BASIS OF PAYMENT: MANHOLES, TYPE A, 6'-DIAMETER, WITH 2 TYPE 1 FRAME, CLOSED LID, RESTRICTOR PLATE.
5. STRUCTURES MAY HAVE ONE TO TWO INLETS, SEE PLAN VIEW FOR DETAILS.
6. SEE DRAINAGE SCHEDULE FOR PIPE LOCATIONS, INVERTS AND SIZES AND FOR STRUCTURE STATION AND OFFSET

NOTE:

1. ANGLE SHOULD BE 3" x 3" x 3/8"
2. VERTICAL ANGLE SHOULD EXTEND FROM THE BOTTOM OF THE RESTRICTOR PLATE TO THE TOP
3. HORIZONTAL ANGLES SHOULD EXTEND FROM VERTICAL ANGLE TO VERTICAL ANGLE
4. ALL DIMENSIONS ON THIS SHEET ARE IN INCHES UNLESS OTHERWISE NOTED.

REVISIONS	
NAME	DATE

MCHENRY COUNTY DIVISION OF TRANSPORTATION
WALKUP ROAD F.A.U. 0085

DRAINAGE DETAIL
ROUND STRUCTURE
WITH RESTRICTOR PLATE

SCALE: N.T.S. DRAWN BY: LK
DATE: 04/15/11 CHECKED BY: TL

TENG

TENG & ASSOCIATES, INC.
ENGINEERING ARCHITECTURE INTERIORS
905 N. MICHIGAN AVE. CHICAGO, IL 60611
TELEPHONE: 312-467-8000

\FS-004\AMAVALLI.T.D-TRANS.07\2202\300-03\CIVIL\CAD\02 CON\RACT\VA TENG\SHEET\DD02A01SHIT STAMPRJ
 4-14-2011 15:25:59
 1 2 3 4 5 6 7 8 9 10 11 12 13 14 15 16 17 18 19 20 21 22 23 24 25 26 27 28 29 30 31 32 33 34 35 36 37 38 39 40 41 42 43 44 45 46 47 48 49 50 51 52 53 54 55 56 57 58 59 60 61 62 63