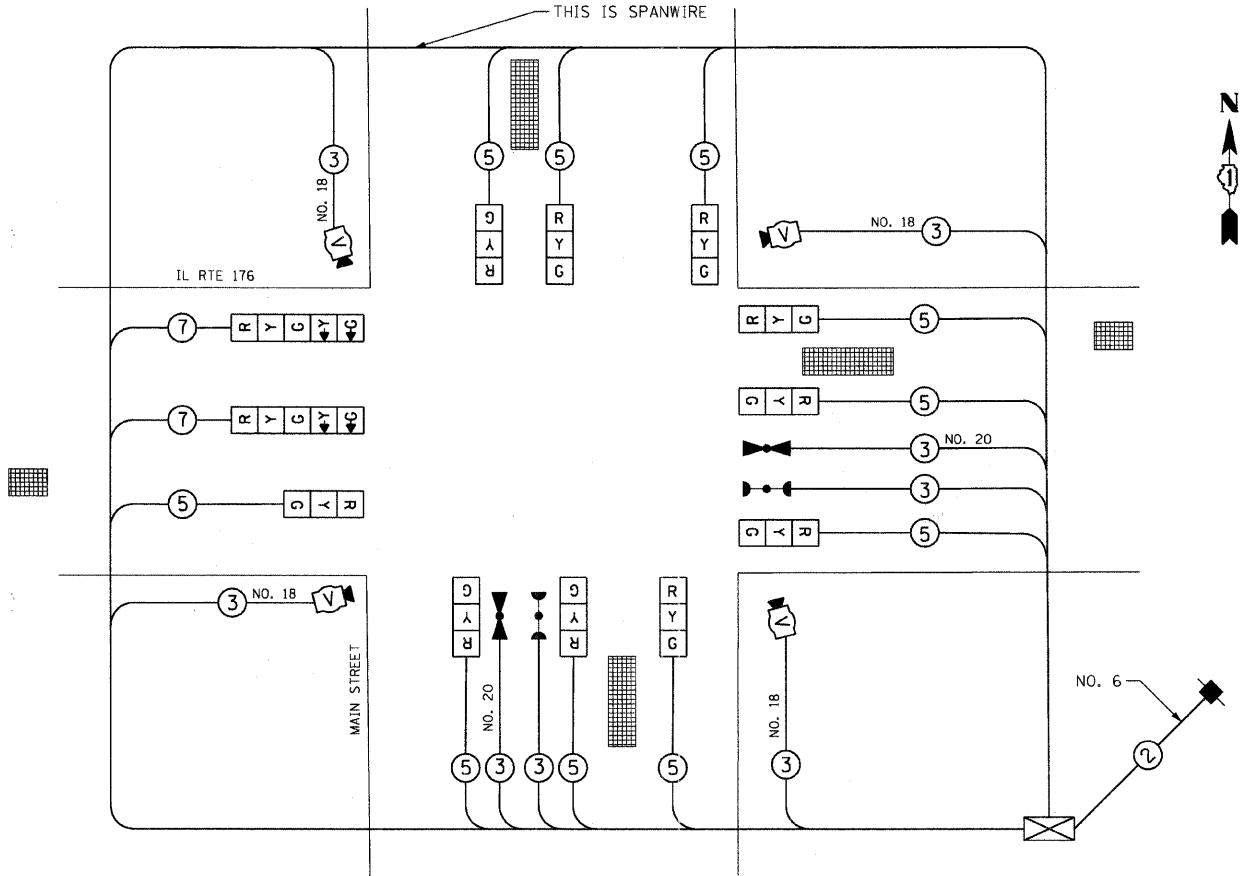


F.A.U. RTE.	SECTION	COUNTY	TOTAL SHEETS	SHEET NO.
0085	00-00246-02-FR	MCHENRY	292	174
STA.		TO STA.		
FED. ROAD DIST. NO. 1		ILLINOIS FED. AID PROJECT		
CONTRACT NO: 63522				

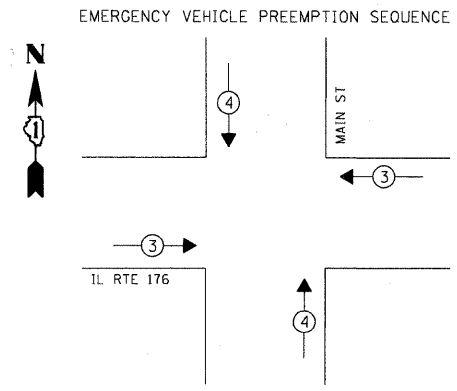
**SCHEDULE OF QUANTITIES**

PAY ITEM	UNIT	QUANTITY
TEMPORARY TRAFFIC SIGNAL INSTALLATION	EACH	1
TEMPORARY TRAFFIC SIGNAL TIMING	EACH	1

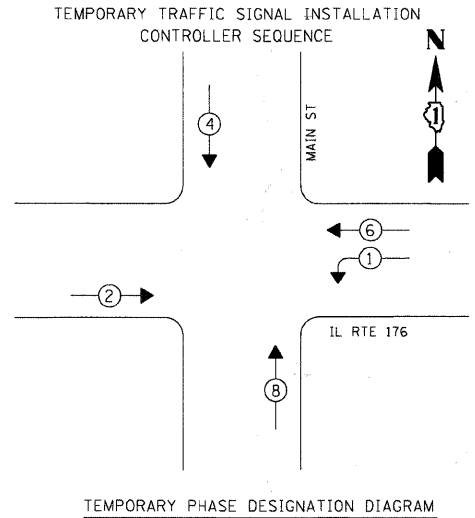


**TEMPORARY SIGNAL CABLE PLAN**

EMERGENCY VEHICLE PRE-EMPTION EQUIPMENT SHALL BE 3M OPTI-COM TYPE AND SHALL MATCH CRYSTAL LAKE RURAL FIRE PROTECTION DISTRICT EMERGENCY VEHICLE EQUIPMENT



EMERGENCY VEHICLE PREEMPTOR	3	4
MOVEMENT	← →	↑ ↓



- LEGEND**
- ← ⊙ → DUAL ENTRY PHASE
  - ← ⊙ → PEDESTRIAN PHASE
  - ← ⊙ → OL OVERLAP
  - \* NUMBER REFERS TO ASSOCIATED PHASE

TYPE	NO. OF LAMPS X INCAND.	WATTAGE LED X % OPERATION	TOTAL WATTAGE
SIGNAL (RED)	12 X	17 0.50	102.0
(YELLOW)	12 X	25 0.25	75.0
(GREEN)	12 X	15 0.25	45.0
ARROW	4 X	12 0.10	4.8
PED. SIGNAL	-- X	25	
CONTROLLER	1 X	100 1.00	100.0
VIDEO SYSTEM	1 X	150 1.00	150.0
	-- X		
ENERGY COSTS TO: CITY OF CRYSTAL LAKE			TOTAL = 476.8

MARK STONIKAS (815) 356-3700, EXT. 4025  
 100 W. WOODSTOCK STREET  
 CRYSTAL LAKE, ILLINOIS 60014  
 ENERGY SUPPLY: CONTACT: LISA COOK  
 PHONE: 815-477-5204  
 COMPANY: COM. ED.

NAME	DATE

MCHENRY COUNTY DIVISION OF TRANSPORTATION  
 WALKUP ROAD F.A.U. 0085  
**TEMP CABLE PLAN, TEMP PHASE DESIGNATION DIAGRAM, EMERGENCY VEHICLE SEQUENCE**  
 IL ROUTE 176 & MAIN STREET  
 SCALE: N.T.S. DRAWN BY: SNB  
 DATE: 06/10/11 CHECKED BY: RRM

**TENG**  
 TENG & ASSOCIATES, INC.  
 ENGINEERS/ARCHITECTS/PLANNERS  
 88 N. MICHIGAN AVE. CHICAGO, IL 60611  
 TELEPHONE: 312-487-4000

\S: 0944\AV\VAULT\_ID: TRANS\_07\2202\3000-03\CIVIL\CAD\02 CONTRACT\TIA\_TEMP\SHEET\TPO2\K002.SHT  
 6-09-2011 16:38:31  
 1 2 3 4 5 6 7 8 9 10 11 12 13 14 15 16 17 18 19 20 21 22 23 24 25 26 27 28 29 30 31 32 33 34 35 36 37 38 39 40 41 42 43 44 45 46 47 48 49 50 51 52 53 54 55 56 57 58 59 60 61 62 63  
 STAMNRJ