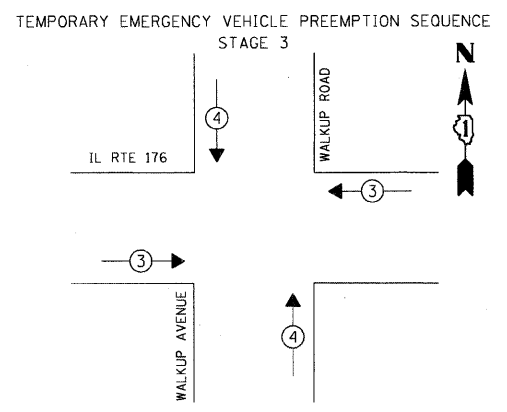
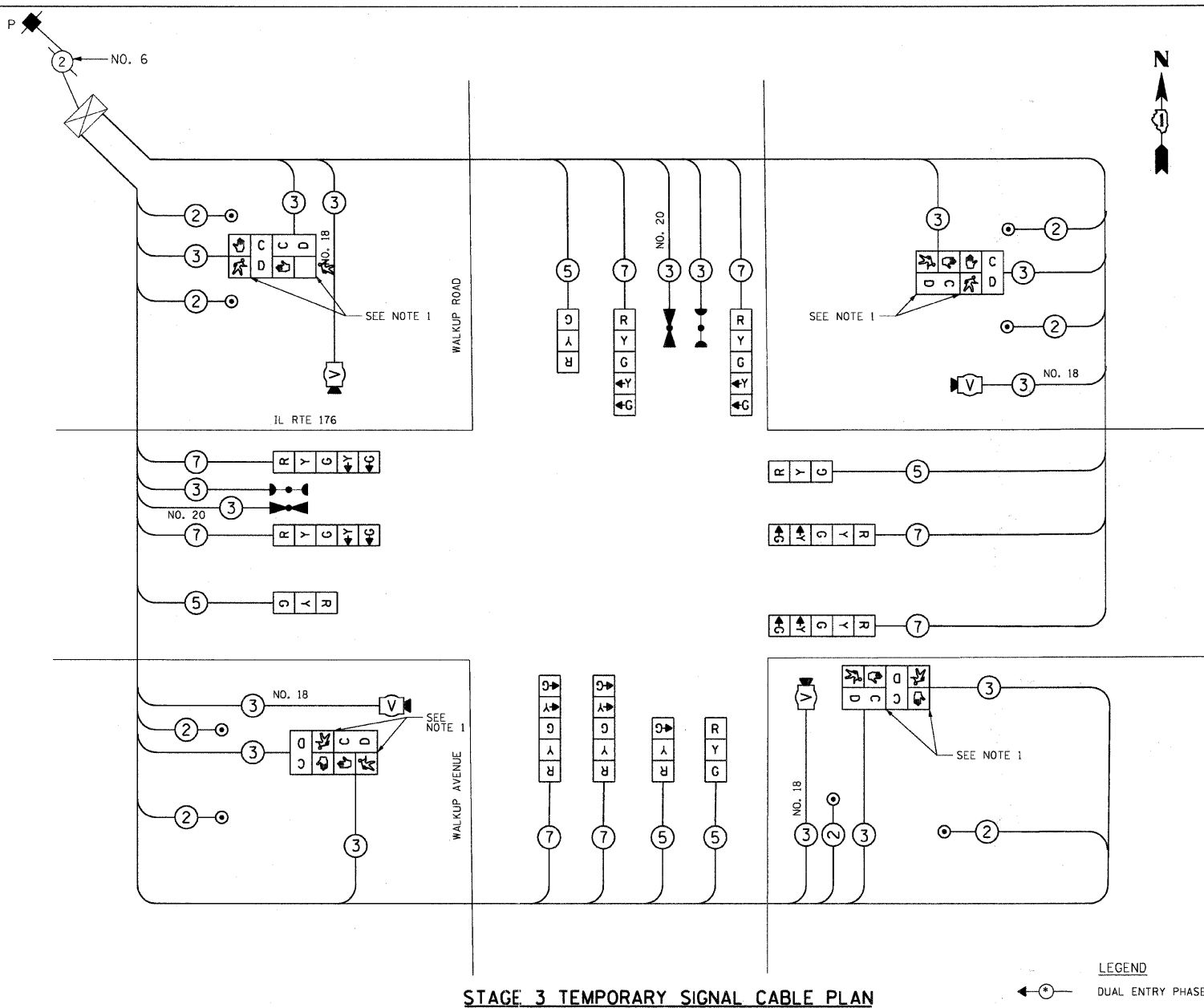
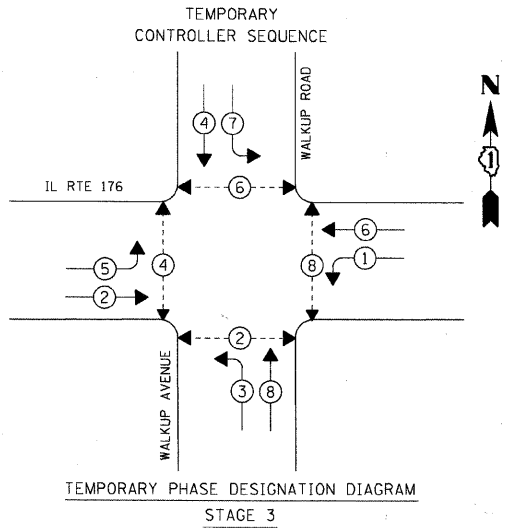


F.A.U. RTE.	SECTION	COUNTY	TOTAL SHEETS	SHEET NO.
0085	00-00246-02-FF	MCHENRY	292	183
STA.	TO STA.			
FED. ROAD DIST. NO. 1 ILLINOIS FED. AID PROJECT				
CONTRACT NO: 63522				



PROPOSED EMERGENCY VEHICLE PREEMPTORS			
EMERGENCY VEHICLE PREEMPTOR	3	4	
MOVEMENT	←	↑	↓

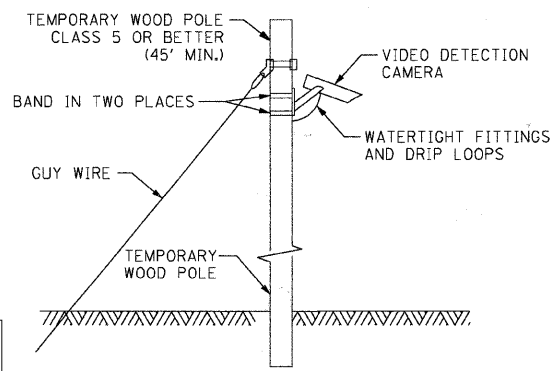
STAGE 3 TEMPORARY SIGNAL CABLE PLAN

- LEGEND**
- ←○→ DUAL ENTRY PHASE
 - ←○→ PEDESTRIAN PHASE
 - ◊ OL OVERLAP
 - NUMBER REFERS TO ASSOCIATED PHASE

INTRODUCE FAR DETECTION LATER IN THIS STAGE IN-PLACE OF THE PRESENCE FOR THRU MOVEMENTS ON IL 176. SEE PLAN.

NOTES:

1. ALL PEDESTRIAN SIGNAL HEADS SHALL BE BAGGED AND DISCONNECTED AT LOCATIONS WHERE EXISTING PAVEMENT IS REMOVED. ALL PEDESTRIAN SIGNAL HEADS SHALL REMAIN BAGGED UNTIL THE PAVEMENT IS RESTORED TO PROVIDE A SAFE CROSSING AREA. USAGE OF PEDESTRIAN SIGNAL HEADS IS BASED ON CONSTRUCTION STAGING AND SHALL BE DETERMINED BY THE RESIDENT ENGINEER. IF SIDEWALKS AND PED CROSSINGS ARE NOT PROVIDED, THE PEDESTRIAN SIGNAL EQUIPMENT SHALL REMAIN DISCONNECTED UNTIL WARRANTED PRIOR TO PERMANENT SIGNAL TURN-ON.



TRAFFIC SIGNAL INSTALLATION ELECTRICAL SERVICE REQUIREMENTS					TOTAL WATTAGE
TYPE	NO. OF LAMPS X INCAND.	WATTAGE	LED X % OPERATION		
SIGNAL (RED)	12	X	17	0.50	102.0
(YELLOW)	12	X	25	0.25	75.0
(GREEN)	12	X	15	0.25	45.0
ARROW	16	X	12	0.10	19.20
PED. SIGNAL	8	X	25	1.00	200.0
CONTROLLER	1	X	100	1.00	100.0
ILLUM. SIGN	--	X		0.05	
VIDEO SYSTEM		150		1.00	150.0
ENERGY COSTS TO: CITY OF CRYSTAL LAKE					TOTAL = 691.2
MARK STONIKAS (815) 356-3700, EXT. 4025					
100 W. WOODSTOCK STREET					
CRYSTAL LAKE, ILLINOIS 60014					
ENERGY SUPPLY: CONTACT: LISA COOK					
PHONE: 815-477-5204					
COMPANY: COM. ED.					

RESTORATION OF WORK AREA. RESTORATION OF THE TRAFFIC SIGNAL WORK AREA SHALL BE INCIDENTAL TO THE RELATED PAY ITEM SUCH AS FOUNDATION, CONDUIT, HANDHOLE, TRENCH AND BACKFILL, ETC., AND NO EXTRA COMPENSATION SHALL BE ALLOWED. ALL ROADWAY SURFACES SUCH AS SHOULDERS, MEDIANS, SIDEWALKS, PAVEMENT, ETC. SHALL BE REPLACED IN KIND. ALL DAMAGE TO MOWED LAWNS SHALL BE REPLACED WITH AN APPROVED SOD, AND ALL DAMAGE TO UNMOWED FIELDS SHALL BE SEEDED IN ACCORDANCE WITH STANDARD SPECIFICATIONS 252 AND 250 RESPECTIVELY.

REVISIONS	
NAME	DATE

MCHENRY COUNTY DIVISION OF TRANSPORTATION
WALKUP ROAD F.A.U. 0085

STAGE 3: TEMP CABLE PLAN, PHASE DESIGNATION DIAGRAM, EMERGENCY VEHICLE SEQUENCE
IL ROUTE 176 & WALKUP ROAD

SCALE: N.T.S. DRAWN BY: SNB
DATE: 06/10/11 CHECKED BY: RRM

TENG

TENG & ASSOCIATES, INC.
ENGINEERS/ARCHITECTS/PLANNERS
900 N. MICHIGAN AVE. CHICAGO, IL 60611
TELEPHONE: 312.664.4000

I:\S-0044\AMVAULT_ID-TRANS_07\2202\300-03\CIVIL\CAD\02 CONTRACT\A_TENG\SHEET\TPO2A03.SIT
 6-09-2011 6:53:04
 1 2 3 4 5 6 7 8 9 10 11 12 13 14 15 16 17 18 19 20 21 22 23 24 25 26 27 28 29 30 31 32 33 34 35 36 37 38 39 40 41 42 43 44 45 46 47 48 49 50 51 52 53 54 55 56 57 58 59 60 61 62 63