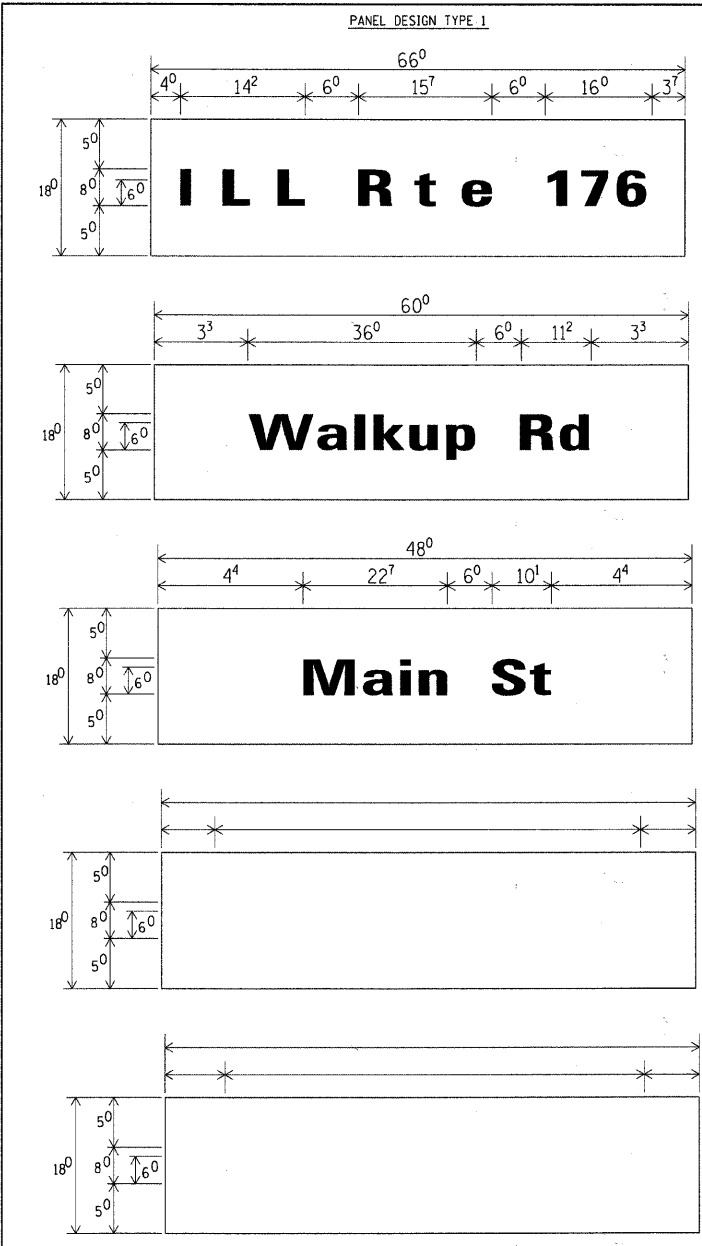


I:\S-0044\VA\VAJLD-TRANS.07\2202\300-03\CIVIL\CAD\02 CONTRACT\VA TENG\SHEET\1\00240045HT STANWRI
 4-4-2006 15:55:38
 1 2 3 4 5 6 7 8 9 10 11 12 13 14 15 16 17 18 19 20 21 22 23 24 25 26 27 28 29 30 31 32 33 34 35 36 37 38 39 40 41 42 43 44 45 46 47 48 49 50 51 52 53 54 55 56 57 58 59 60 61 62 63



8.25 SO. FT. EACH
 4 REQUIRED
 DESIGN SERIES D

7.5 SO. FT. EACH
 2 REQUIRED
 DESIGN SERIES D

6.75 SO. FT. EACH
 2 REQUIRED
 DESIGN SERIES D

SO. FT. EACH
 REQUIRED
 DESIGN SERIES _____

SO. FT. EACH
 REQUIRED
 DESIGN SERIES _____

NOTE: SIGN DIMENSIONS ARE IN ENGLISH UNITS

GENERAL-NOTES

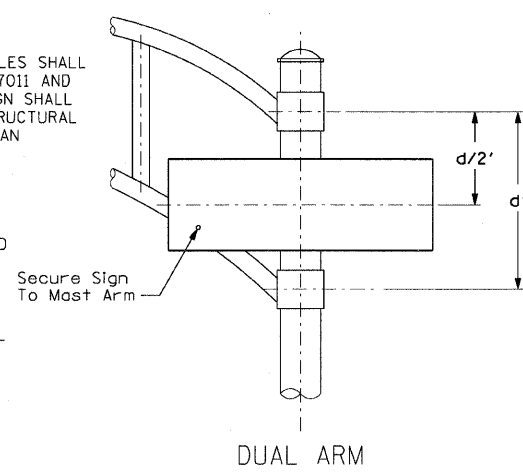
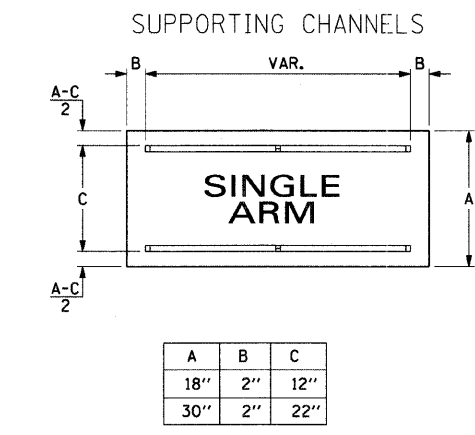
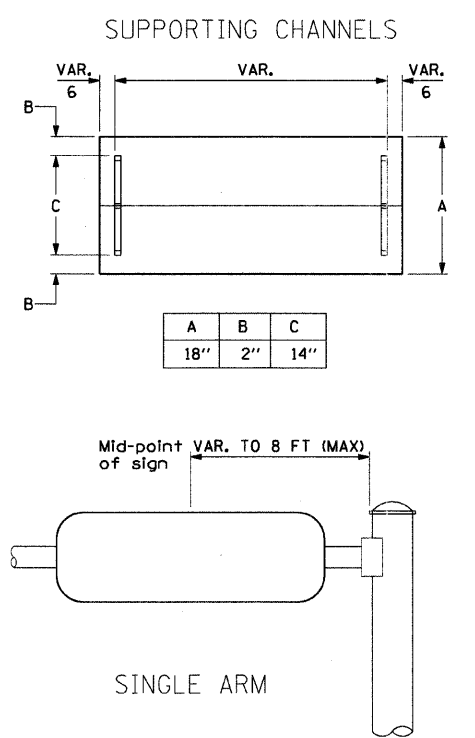
- WHERE MAST ARM MOUNTED STREET NAME SIGNS ARE SPECIFIED, THE MAST ARM ASSEMBLY AND POLES SHALL BE DESIGNED TO SUPPORT THE LOADINGS CALLED FOR ON STANDARDS 877001, 877002, 877006, 877011 AND 877012, AS APPLICABLE, PLUS TWO (2) SIGN PANELS 2'-6" x 8'-0" MOUNTED AS SHOWN. THE DESIGN SHALL BE IN ACCORDANCE WITH THE REQUIREMENTS OF THE CURRENT "STANDARD SPECIFICATIONS FOR STRUCTURAL SUPPORTS FOR HIGHWAY SIGNS, LUMINAIRES, AND TRAFFIC SIGNALS" AS PUBLISHED BY THE AMERICAN ASSOCIATION OF STATE HIGHWAY AND TRANSPORTATION OFFICIALS FOR 80 M.P.H. WIND VELOCITY.
- ALL SIGNS SHALL HAVE A WHITE REFLECTORIZED LEGEND AND BORDER ON A GREEN REFLECTORIZED BACKGROUND. TYPE A SHEETING.
- THE SIGN LENGTH SHOULD BE INCREASED IN 6-INCH INCREMENTS, BUT THE OVERALL LENGTH SHOULD NOT EXCEED 8'-0".
- ALL BORDERS SHALL BE 3/4" WIDE AND CORNER RADIUS SHALL BE 2-1/4".
- SIGNFIX ALUMINUM CHANNEL FRAMING SYSTEM SHALL BE USED FOR ALL SIGNS ATTACHED TO SIGNAL POLES AND POSTS. LOCAL SUPPLIERS OF THE SIGNFIX ALUMINUM CHANNEL FRAMING SYSTEM ARE:
 • J.O. HERBERT CO. MIDLOTHIAN, VA.
 • WESTERN REMAC INC. WOODRIDGE, IL

PARTS LISTING
 SIGN CHANNEL
 SIGN SCREWS

BRACKETS

PART #HPN053 (MED. CHANNEL)
 1/4" x 14 x 1" H.W.H. #3
 SELF TAPPING WITH NEOPRENE WASHER
 PART #HPN034 (UNIVERSAL)
 CHANNEL CLAMPS WITH STAINLESS STEEL STRAPPING

OTHER BRANDS OF MOUNTING HARDWARE ARE ACCEPTABLE, BASED UPON THE DEPARTMENT'S APPROVAL AND COMPATIBILITY WITH THE CHANNEL/BACKET OF THE ABOVE PRODUCT.



SIGNFIX ALUMINUM CHANNEL FRAMING SYSTEM
 shall be used. See Note #5.

Upper Case To Lower Case
 Spacing Chart 8-6 Inch Series "C & D"

F I R S T L E T T E R	SECOND LETTER																																	
	a		c		d		e		b		h		i		k		f		w		j		s		t		v		y		x		z	
	SERIES	C	D	C	D	C	D	C	D	C	D	C	D	C	D	C	D	C	D	C	D	C	D	C	D	C	D	C	D	C	D			
A	12	14	14	15	12	14	10	10	11	14	10	10	11	12	12	14	12	14	12	14	12	14	12	14	12	14	12	14	12	14				
B	14	15	20	21	14	15	11	12	14	15	12	14	12	14	12	14	12	14	12	14	12	14	12	14	12	14	12	14	12	14				
C	14	15	20	21	14	15	10	10	12	14	12	14	12	14	12	14	12	14	12	14	12	14	12	14	12	14	12	14	12	14				
D	14	15	20	21	14	15	10	10	12	14	12	14	12	14	12	14	12	14	12	14	12	14	12	14	12	14	12	14	12	14				
F	05	06	14	15	06	10	05	06	06	10	06	10	06	10	06	10	06	10	06	10	06	10	06	10	06	10	06	10	06	10				
H	20	21	22	24	20	21	14	15	16	17	16	17	16	17	16	17	16	17	16	17	16	17	16	17	16	17	16	17	16	17				
J	20	21	20	21	16	17	14	15	16	17	16	17	16	17	16	17	16	17	16	17	16	17	16	17	16	17	16	17	16	17				
K	11	12	16	17	11	12	05	06	11	12	11	12	11	12	11	12	11	12	11	12	11	12	11	12	11	12	11	12	11	12				
P	12	14	14	15	12	14	05	06	11	12	11	12	11	12	11	12	11	12	11	12	11	12	11	12	11	12	11	12	11	12				
S	12	14	16	17	12	14	06	10	12	14	12	14	12	14	12	14	12	14	12	14	12	14	12	14	12	14	12	14	12	14				
T	11	12	16	17	06	10	06	10	11	12	11	12	11	12	11	12	11	12	11	12	11	12	11	12	11	12	11	12	11	12				
V	06	10	14	15	11	12	06	10	12	14	12	14	12	14	12	14	12	14	12	14	12	14	12	14	12	14	12	14	12	14				
Y	05	06	14	15	06	10	05	06	05	07	05	06	05	06	05	06	05	06	05	06	05	06	05	06	05	06	05	06	05	06				
Z	16	17	22	24	16	17	12	14	16	17	16	17	16	17	16	17	16	17	16	17	16	17	16	17	16	17	16	17	16	17				

Lower Case To Lower Case
 Spacing Chart 6 Inch Series "C & D"

F I R S T L E T T E R	SECOND LETTER																																	
	a		c		d		e		b		h		i		k		f		w		j		s		t		v		y		x		z	
	SERIES	C	D	C	D	C	D	C	D	C	D	C	D	C	D	C	D	C	D	C	D	C	D	C	D	C	D	C	D	C	D			
a	16	17	22	24	16	17	12	14	14	15	14	15	16	17	16	17	16	17	16	17	16	17	16	17	16	17	16	17	16	17				
d	12	14	16	17	11	12	05	06	11	12	11	12	11	12	11	12	11	12	11	12	11	12	11	12	11	12	11	12	11	12				
e	12	14	16	17	12	14	06	10	12	14	12	14	12	14	12	14	12	14	12	14	12	14	12	14	12	14	12	14	12	14				
f	06	10	12	14	06	10	03	03	05	06	05	06	05	06	05	06	05	06	05	06	05	06	05	06	05	06	05	06	05	06				
t	12	14	16	17	12	14	06	10	11	12	11	12	11	12	11	12	11	12	11	12	11	12	11	12	11	12	11	12	11	12				
v	11	12	14	15	11	12	05	06	06	10	06	10	06	10	06	10	06	10	06	10	06	10	06	10	06	10	06	10	06	10				
w	11	12	14	15	11	12	05	06	11	12	11	12	11	12	11	12	11	12	11	12	11	12	11	12	11	12	11	12	11	12				
x	12	14	16	17	11	12	05	06	11	12	11	12	11	12	11	12	11	12	11	12	11	12	11	12	11	12	11	12	11	12				

Number To Number
 Spacing Chart 8 Inch Series "C & D"

F I R S T L E T T E R	SECOND NUMBER																													
	0	1	2	3	4	5	6	7	8	9																				
	SERIES	C	D	C	D	C	D	C	D	C	D																			
0	16	17	16	17	14	15	14	15	16	17	16	17	16	17	16	17	16	17	16	17	16	17	16	17	16	17	16	17	16	17
1	20	21	20	21	20	21	16	17	14	15	20	21	20	21	14	15	20	21	20	21	14	15	20	21	20	21	14	15	20	21
2	14	15	14	15	14	15	11	12	11	12	14	15	14	15	11	12	14	15	14	15	11	12	14	15	14	15	11	12	14	15
3	14	15	14	15	14	15	11	12	11	12	14	15	14	15	11	12	14	15	14	15	11	12	14	15	14	15	11	12	14	15
4	16	17	14	15	14	15	12	13	14	15	14	15	12	13	14	15	14	15	12	13	14	15	14	15	12	13	14	15	14	15
5	12	14	12	14	14	15	12	13	14	15	14	15	12	13	14	15	14	15	12	13	14	15	14	15	12	13	14	15	14	15
6	16	17	16	17	14	15	14	15	12	13	14	15	14	15	12	13	14	15	14	15	12	13	14	15	14	15	12	13	14	15
7	12	14	12	14	14	15	12	13	14	15	14	15	12	13	14	15	14	15	12	13	14	15	14	15	12	13	14	15	14	15
8	16	17	16	17	14	15	14	15	12	13	14	15	14	15	12	13	14	15	14	15	12	13	14	15	14	15	12	13	14	15

L E T T E R S	6 INCH UPPER CASE LETTERS				8 INCH UPPER CASE LETTERS				L E T T E R S	6 INCH LOWER CASE LETTERS			
	SERIES		SERIES		SERIES		SERIES			SERIES		SERIES	
	C	D	C	D	C	D	C	D		C	D	C	D
A	3 ⁶	5 ⁰	5 ⁰	6 ⁵	a	3 ⁵	4 ²						
B	3 ²	4 ⁰	4 ³	5 ³	b	3 ⁵	4 ²						
C	3 ²	4 ⁰	4 ³	5 ³	c	3 ⁵	4 ¹						
D	3 ²	4 ⁰	4 ³	5 ³	d	3 ⁵	4 ²						
E	3 ⁰	3 ⁵	4 ⁰	4 ⁷	e	3 ⁵	4 ²						
F	3 ⁰	3 ⁵	4 ⁰	4 ⁷	f	2 ³	2 ⁶						
G	3 ²	4 ⁰	4 ³	5 ³	g	3 ⁵	4 ²						
H	3 ²	4 ⁰	4 ³	5 ³	h	3 ⁵	4 ²						
I	0 ⁷	0 ⁷	1 ¹	1 ²	i	1 ¹	1 ¹						
J	3 ⁰	3 ⁶	4 ⁰	5 ⁰	j	2 ⁰	2 ²						
K	3 ²	4 ¹	4 ³	5 ⁴	k	3 ⁵	4 ²						
L	3 ⁰	3 ⁵	4 ⁰	4 ⁷	l	1 ¹	1 ¹						
M	3 ⁷	4 ⁵	5 ¹	6 ¹	m	6 ⁰	7 ⁰						
N	3 ²	4 ⁰	4 ³	5 ³	n	3 ⁵	4 ²						
O	3 ⁴	4 ²	4 ⁵	5 ⁵	o	3 ⁶	4 ³						
P	3 ²	4 ⁰	4 ³	5 ³	p	3 ⁵	4 ²						
Q	3 ⁴	4 ²	4 ⁵	5 ⁵	q	3 ⁵	4 ²						
R	3 ²	4 ⁰	4 ³	5 ³	r	2 ⁶	3 ²						
S	3 ²	4 ⁰	4 ³	5 ³	s	3 ⁶	4 ²						
T	3 ⁰	3 ⁵	4 ⁰	4 ⁷	t	2 ⁷	3 ²						
U	3 ²	4 ⁰	4 ³	5									