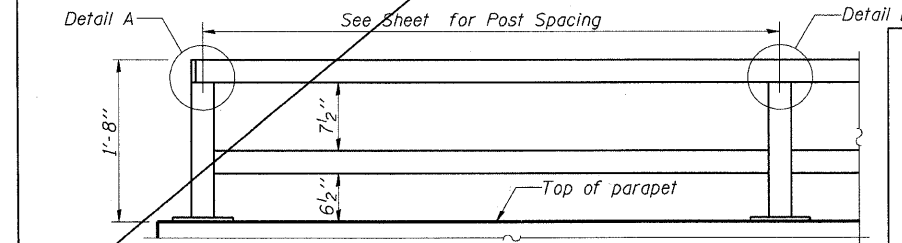
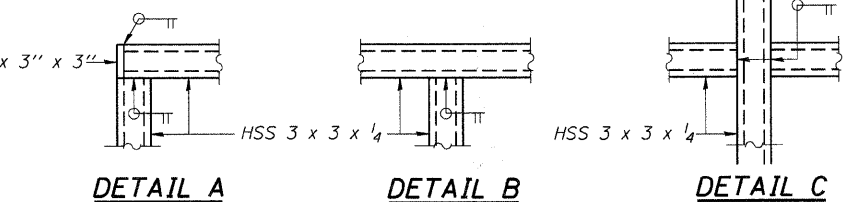
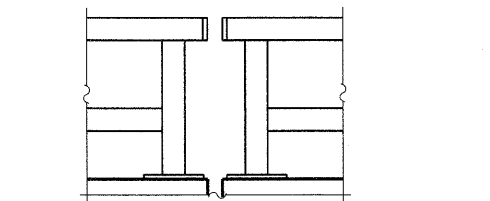


BICYCLE RAILING

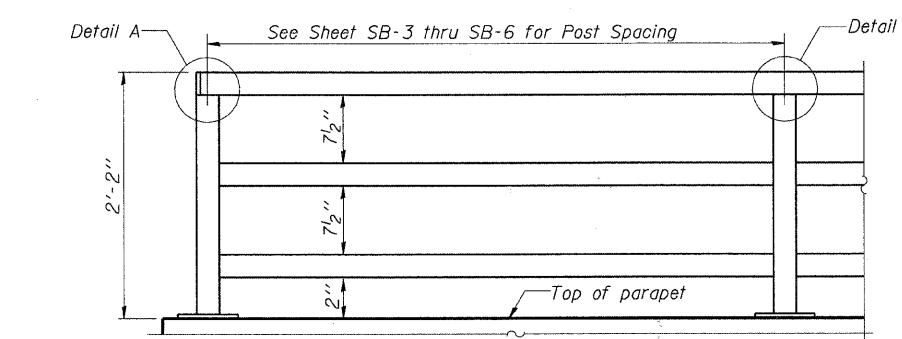
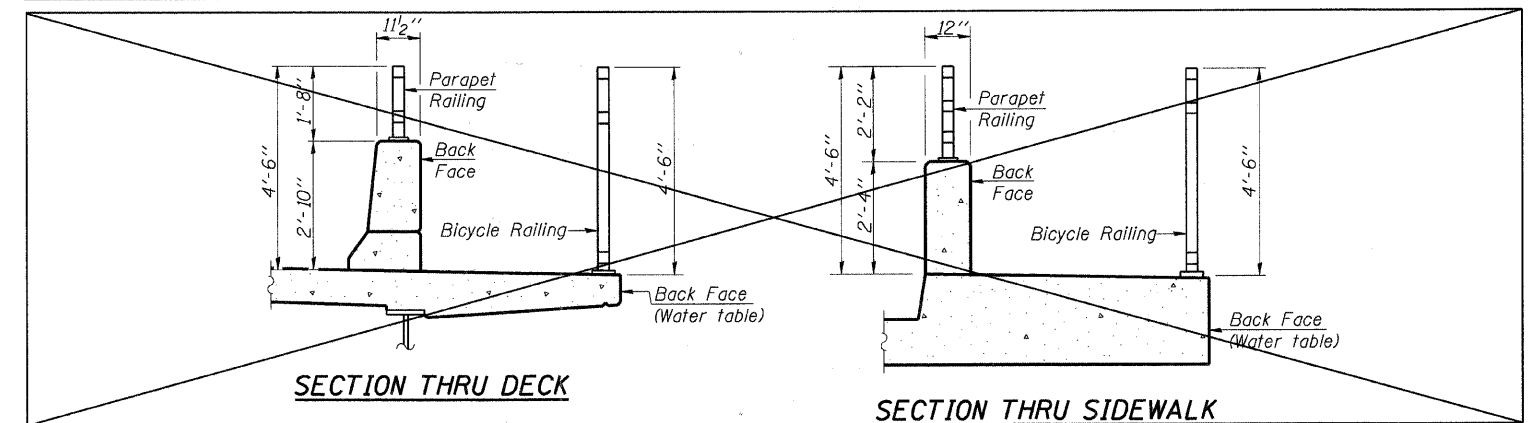
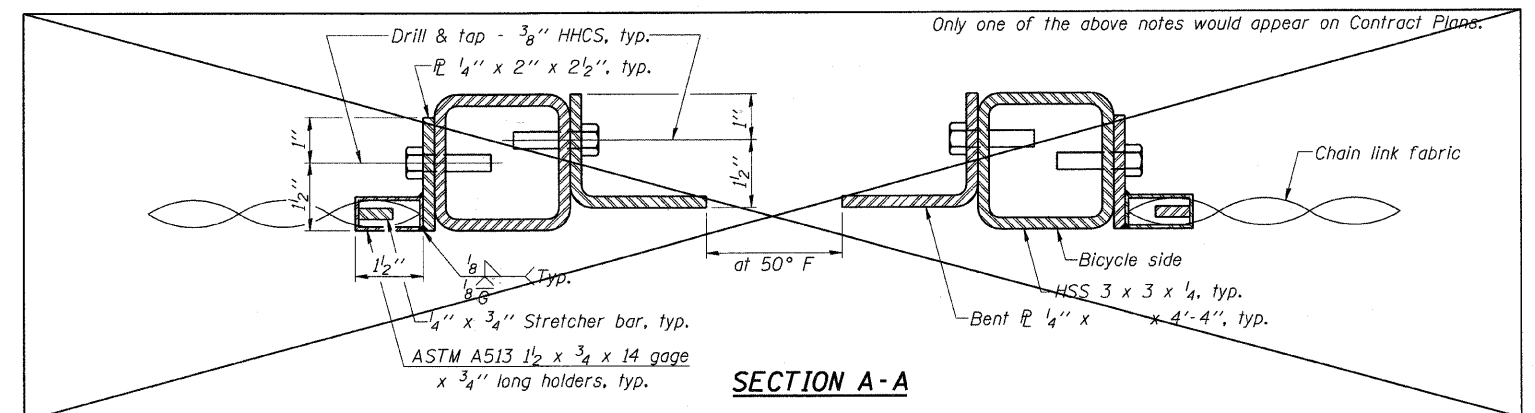
BICYCLE RAILING



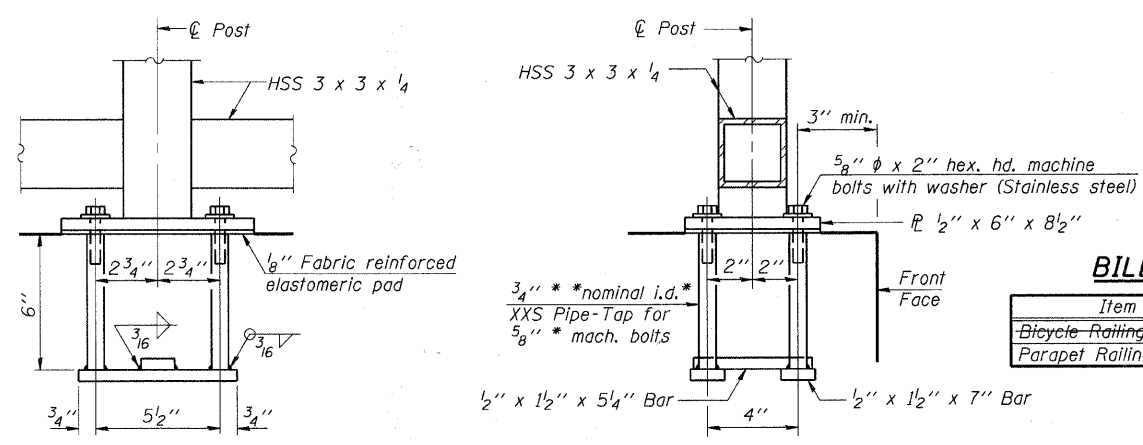
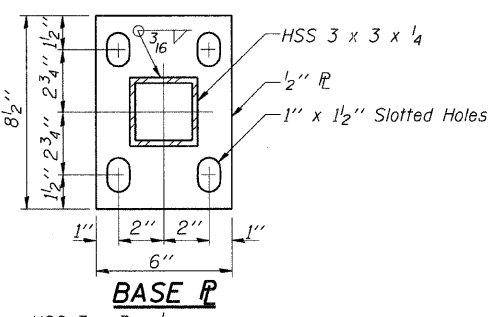
PARAPET RAILING ELEVATION
(Inside Face of Two Element Rail)



NOTE:
All steel rail elements shall be galvanized according to Article 509.05 of the Standard Specifications.

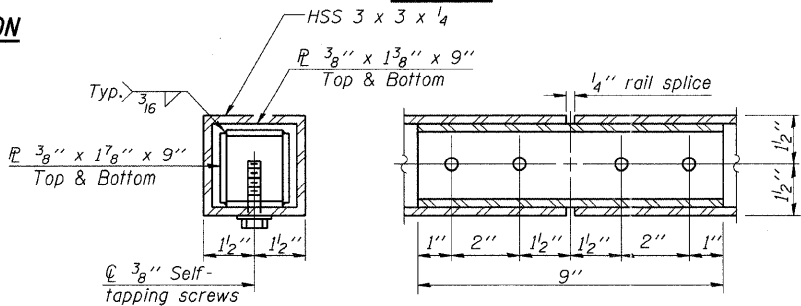


PARAPET RAILING ELEVATION
(Inside Face of Three Element Rail)



BILL OF MATERIAL

Item	Unit	Quantity
Bicycle Railing	Foot	
Parapet Railing	Foot	465



ANCHOR BOLT DETAILS

In lieu of the cast-in-place anchor device shown, the Contractor has the option of drilling and setting 5/8" φ anchor rods according to Article 509.06 of the Standard Specifications. Embedment shall be according to the manufacturer's specifications.

SHT. SB-12

REVISIONS	
NAME	DATE

MCHENRY COUNTY DIVISION OF TRANSPORTATION
WALKUP ROAD F.A.U. 0085
SECTION 00-00246-02-FP
STATION 54+85.02 TO 59+49.91
VETERAN ACRES PARK RETAINING WALL
PARAPET RAILING DETAILS

SCALE: N.T.S. DRAWN BY: CPB
DATE: 04/15/11 CHECKED BY: TCG



TENG & ASSOCIATES, INC.
ENGINEERS, ARCHITECTS, SURVEYORS
200 N. MICHIGAN AVE. CHICAGO, IL 60601
TELEPHONE: 312-461-0000

\SFS-004\KAM\VALE.TD-TRANS.01\2202\300-03\STRUCT\CD\02.CONTRACT\VA.VETERAN.ACRES.PARK.WALL\SHEET\RSZ\TENG\DRS\LIGHT
 \NDR\0402.DCN
 4-14-2011 5:56:43