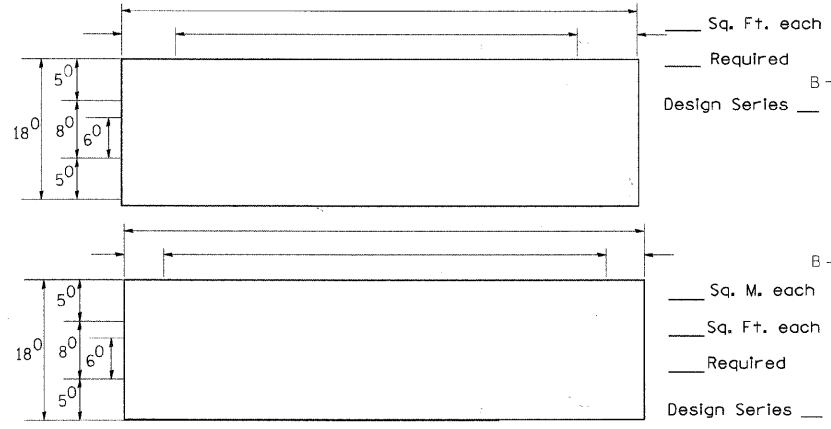


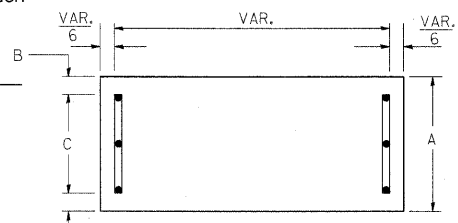
F.A. RTE.	SECTION	COUNTY	TOTAL SHEETS	SHEET NO.
0085	00-00246-02-FP	MCHENRY	292	224
STA.		TO STA.		
FED. ROAD DIST. NO.		ILLINOIS	FED. AID PROJECT	

EXAMPLE, 2³ DENOTES $\frac{3''}{8}$

PANEL SIGN DESIGN TYPE 1



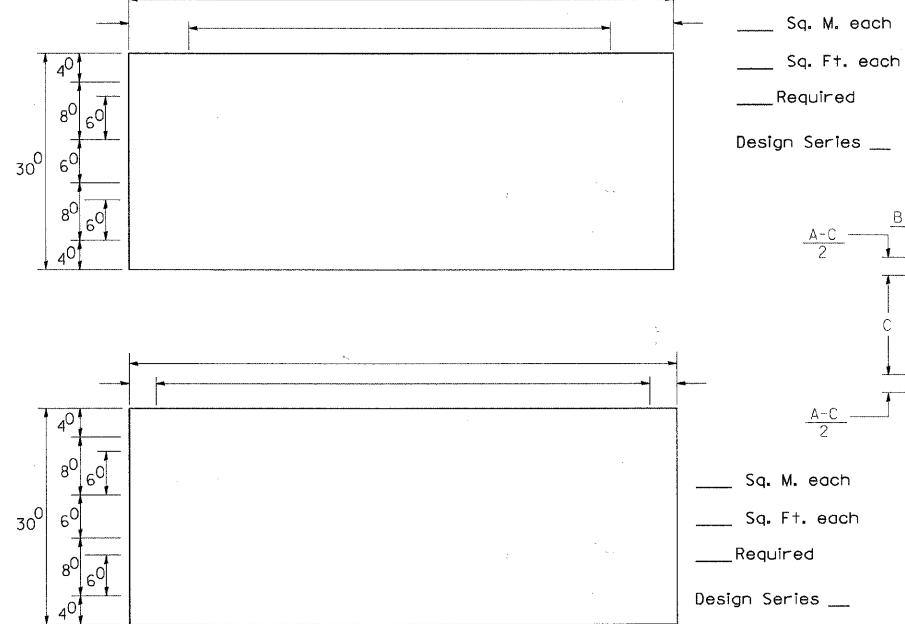
SUPPORTING CHANNELS



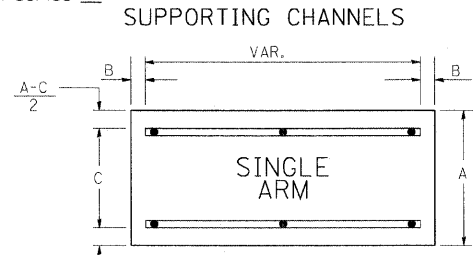
A	B	C
18"	2"	14"

NOTE: SIGN DIMENSIONS ARE IN ENGLISH UNITS

PANEL SIGN DESIGN TYPE 2



SINGLE ARM



A	B	C
18"	2"	12"
30"	2"	22"

Upper Case To Lower Case

Spacing Chart 8-6 Inch Series "C & D"

FIRST LETTER	SERIES	SECOND LETTER														
		a c d e		b h i k l		f w		j		s t		v y		x z		
		g o q	m n p r u													
A W X	12	14	14	15	12	14	06	10	11	14	06	10	11	12	12	14
B	14	15	20	21	14	15	11	12	14	15	12	14	12	14	16	17
C E G	14	15	20	21	12	14	06	10	12	14	12	14	14	15	14	15
D O O R	14	15	20	21	14	15	06	10	12	14	12	14	14	15	14	15
F	05	06	14	15	06	10	05	06	06	10	06	10	06	10	11	12
H I M N	20	21	22	24	20	21	14	15	16	17	16	17	20	21	20	21
J U	20	21	20	21	16	17	14	15	16	17	16	17	16	17	20	21
K L	11	12	16	17	11	12	05	06	11	12	11	12	11	12	12	14
P	12	14	14	15	12	14	05	06	11	12	11	12	12	14	12	14
S	12	14	16	17	12	14	06	10	12	14	12	14	12	14	12	14
T	11	12	16	17	06	10	06	10	11	12	11	12	11	12	12	14
V	06	10	14	15	11	12	06	10	12	14	12	14	12	14	12	14
Y	05	06	14	15	06	10	05	06	05	07	05	06	06	10	11	12
Z	16	17	22	24	16	17	12	14	16	17	16	17	16	17	20	21

UPPER AND LOWER CASE LETTER WIDTHS

LETTERS	6 INCH UPPER CASE LETTERS		8 INCH UPPER CASE LETTERS		LETTERS	6 INCH LOWER CASE LETTERS	
	SERIES	SERIES	SERIES	SERIES		SERIES	SERIES
A	36	50	50	65	a	35	42
B	32	40	43	53	b	35	42
C	32	40	43	53	c	35	41
D	32	40	43	53	d	35	42
E	30	35	40	47	e	35	42
F	30	35	40	47	f	23	26
G	32	40	43	53	g	35	42
H	32	40	43	53	h	35	42
I	07	07	11	12	i	11	11
J	30	36	40	50	j	20	22
K	32	41	43	54	k	35	42
L	30	35	40	47	l	11	11
M	37	45	51	61	m	60	70
N	32	40	43	53	n	35	42
O	34	42	45	55	o	36	43
P	32	40	43	53	p	35	42
Q	34	42	45	55	q	35	42
R	32	40	43	53	r	26	32
S	32	40	43	53	s	36	42
T	30	35	40	47	t	27	32
U	32	40	43	53	u	35	42
V	35	44	47	60	v	42	47
W	44	52	60	70	w	55	64
X	34	40	45	53	x	44	51
Y	36	50	50	66	y	46	53
Z	32	40	43	53	z	36	43

Lower Case To Lower Case

Spacing Chart 6 Inch Series "C & D"

FIRST LETTER	SERIES	SECOND LETTER															
		a d h g i j		b f k l o p s		c e		r		t z		v y		w		x	
		l m n q u															
ad h g i j	16	17	22	24	16	17	12	14	14	15	14	15	16	17	16	17	
l m n q u																	
b f k o p s	12	14	16	17	11	12	05	06	11	12	11	12	12	14	12	14	
c e	12	14	16	17	12	14	06	10	12	14	12	14	12	14	12	14	
r	06	10	12	14	06	10	03	03	05	06	05	06	06	10	06	10	
t z	12	14	16	17	12	14	06	10	11	12	11	12	12	14	12	14	
v y	11	12	14	15	11	12	05	06	06	10	06	10	11	12	11	12	
w	11	12	14	15	11	12	05	06	11	12	11	12	11	12	12	14	
x	12	14	16	17	11	12	05	06	11	12	11	12	11	12	12	14	

Number To Number Spacing Chart 8 Inch Series "C & D"

FIRST NUMBER	SERIES	SECOND NUMBER																			
		0		1		2		3		4		5		6		7		8		9	
		C	D	C	D	C	D	C	D	C	D	C	D	C	D	C	D	C	D	C	D
0 9	16	17	16	17	14	15	12	14	14	15	14	15	16	17	12	14	16	17	16	17	
1	20	21	20	21	20	21	16	17	14	15	20	21	20	21	14	15	20	21	20	21	
2 3 4	14	15	14	15	14	15	12	14	14	15	14	15	14	15	11	12	14	15	14	15	
5	14	15	14	15	14	15	11	12	11	12	14	15	14	15	11	12	14	15	14	15	
6	16	17	14	15	14	15	12	15	12	14	14	15	14	15	11	12	14	15	14	15	
7	12	14	12	14	14	15	12	15	05	06	12	14	14	15	11	12	14	15	12	14	
8	16	17	16	17	14	15	12	15	12	14	14	15	16	17	12	14	16	17	14	15	

NUMBER	6 INCH SERIES		8 INCH SERIES	
	C	D	C	D
1	12	14	15	20
2	32	40	43	53
3	32	40	43	53
4	35	43	47	57
5	32	40	43	53
6	32	40	43	53
7	32	40	43	53
8	32	40	43	53
9	32	40	43	53
0	34	42	45	55

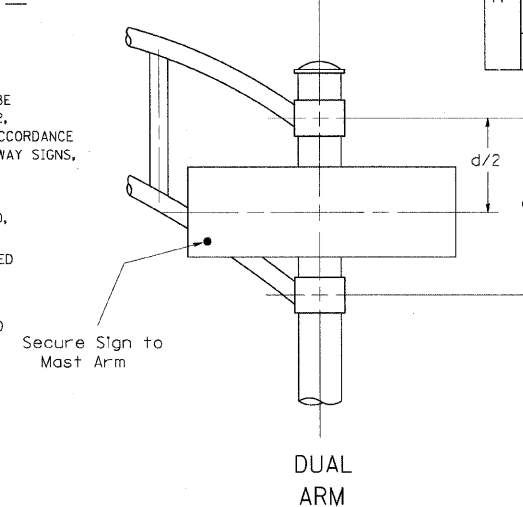
GENERAL NOTES

- WHERE MAST ARM MOUNTED STREET NAME SIGNS ARE SPECIFIED, THE MAST ARM ASSEMBLY AND POLES SHALL BE DESIGNED TO SUPPORT THE LOADINGS CALLED FOR ON STANDARDS 877001, 877002, 877006, 877011 AND 877012, AS APPLICABLE, PLUS TWO (2) SIGN PANELS 2'-6" x 8'-0" MOUNTED AS SHOWN. THE DESIGN SHALL BE IN ACCORDANCE WITH THE REQUIREMENTS OF THE CURRENT "STANDARD SPECIFICATIONS FOR STRUCTURAL SUPPORTS FOR HIGHWAY SIGNS, LUMINAIRES, AND TRAFFIC SIGNALS" AS PUBLISHED BY THE AMERICAN ASSOCIATION OF STATE HIGHWAY AND TRANSPORTATION OFFICIALS FOR 80 M.P.H. WIND VELOCITY.
- ALL SIGNS SHALL HAVE A WHITE REFLECTORIZED LEGEND AND BORDER ON A GREEN REFLECTORIZED BACKGROUND, TYPE A SHEETING.
- THE SIGN LENGTH SHOULD BE INCREASED IN 6-INCH INCREMENTS, BUT THE OVERALL LENGTH SHOULD NOT EXCEED 8'-0".
- ALL BORDERS SHALL BE 3/8" WIDE AND CORNER RADIUS SHALL BE 2-1/4".
- SIGNFIX ALUMINUM CHANNEL FRAMING SYSTEM SHALL BE USED FOR ALL SIGNS ATTACHED TO SIGNAL POLES AND POSTS. LOCAL SUPPLIERS OF THE SIGNFIX ALUMINUM CHANNEL FRAMING SYSTEM ARE:

* J.O. HERBERT CO. MIDLOTHIAN, VA. * WESTERN REMAC INC. WOODBRIDGE, IL.

PARTS LISTING:
SIGN CHANNEL PART #HPN053 (MED. CHANNEL)
SIGN SCREWS 1/4" x 14 x 1" H.W.H. #3
BRACKETS PART #HPN034 (UNIVERSAL)
CHANNEL CLAMPS WITH STAINLESS STEEL STRAPPING

OTHER BRANDS OF MOUNTING HARDWARE ARE ACCEPTABLE, BASED UPON THE DEPARTMENT'S APPROVAL AND COMPATIBILITY WITH THE CHANNEL/BACKET OF THE ABOVE PRODUCT.



SIGNFIX ALUMINUM CHANNEL FRAMING SYSTEM shall be used. See Note #5.

REVISIONS	
NAME	DATE
CREATED	2/79
D.A.Z./D.A.G.	11/90
	6/98
CADD	10/01/00
D.A.G.	10/28/09

ILLINOIS DEPARTMENT OF TRANSPORTATION

DISTRICT 1 MAST ARM MOUNTED STREET NAME SIGNS

SCALE: NONE

DRAWN BY BCK CHECKED BY DAG/DAD TS 2