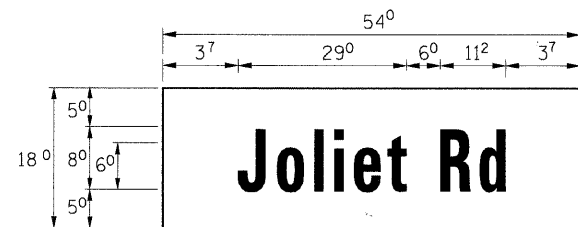
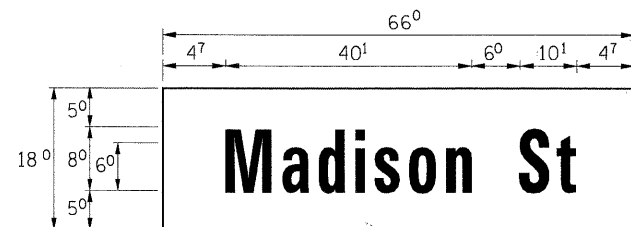


PANEL SIGN DESIGN TYPE 1



NOTE: THIS SIGN SHALL BE MOUNTED ON THE MAST ARM IN ACCORDANCE WITH STANDARD 720016 OR AS DIRECTED BY THE ENGINEER.



NOTE: THIS SIGN SHALL BE MOUNTED ON THE MAST ARM IN ACCORDANCE WITH STANDARD 720016 OR AS DIRECTED BY THE ENGINEER.

DATE	
BY	
PLANNED	
DESIGNED	
CHECKED	
DATE	
BY	
DATE	
BY	

DATE	
BY	
PLANNED	
DESIGNED	
CHECKED	
DATE	
BY	
DATE	
BY	

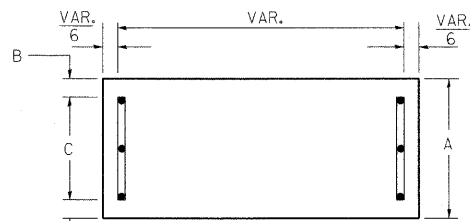
MA-1

6.75 Sq. Ft each
2 Required
Design Series D

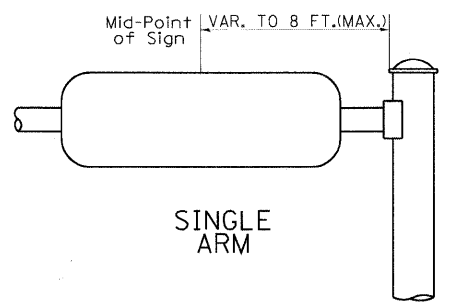
MA-2

8.25 Sq. Ft each
2 Required
Design Series D

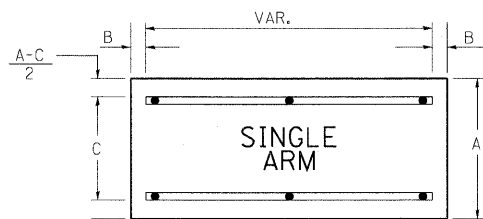
SUPPORTING CHANNELS



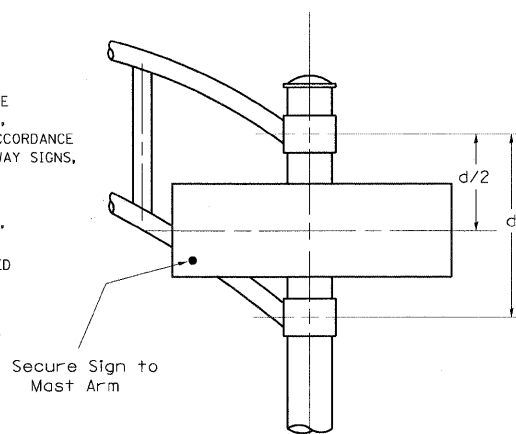
A	B	C
18"	2"	14"



SUPPORTING CHANNELS



A	B	C
18"	2"	12"
30"	2"	22"



DUAL ARM

SIGNFIX ALUMINUM CHANNEL FRAMING SYSTEM shall be used. See Note #5.

Upper Case To Lower Case
Spacing Chart 8-6 Inch Series "C & D"

EXAMPLE, 2³ DENOTES 3/8"

SERIES	SECOND LETTER																	
	a c d e				b h i k l				f w		j		s t		v y		x z	
	C	D	C	D	C	D	C	D	C	D	C	D	C	D	C	D	C	D
A W X	12	14	14	15	12	14	06	10	11	14	06	10	11	12	12	14	14	
B	14	15	20	21	14	15	11	12	14	15	12	14	12	14	16	17	17	
C E G	14	15	20	21	12	14	06	10	12	14	12	14	14	15	14	15	15	
D O Q R	14	15	20	21	14	15	06	10	12	14	12	14	14	15	14	15	15	
F	05	06	14	15	06	10	05	06	06	10	06	10	06	10	11	12	12	
H I M N	20	21	22	24	20	21	14	15	16	17	16	17	20	21	20	21	21	
J U	20	21	20	21	16	17	14	15	16	17	16	17	16	17	20	21	21	
K L	11	12	16	17	11	12	05	06	11	12	11	12	11	12	12	14	14	
P	12	14	14	15	12	14	05	06	11	12	11	12	12	14	12	14	14	
S	12	14	16	17	12	14	06	10	12	14	12	14	12	14	12	14	14	
T	11	12	16	17	06	10	06	10	11	12	11	12	11	12	12	14	14	
V	06	10	14	15	11	12	06	10	12	14	12	14	12	14	12	14	14	
Y	05	06	14	15	06	10	05	06	05	07	05	06	06	10	11	12	12	
Z	16	17	22	24	16	17	12	14	16	17	16	17	16	17	20	21	21	

Lower Case To Lower Case
Spacing Chart 6 Inch Series "C & D"

SERIES	SECOND LETTER																	
	a c d e				b h i k l				f w		j		s t		v y		x z	
	C	D	C	D	C	D	C	D	C	D	C	D	C	D	C	D	C	D
a d h g i j	16	17	22	24	16	17	12	14	14	15	14	15	16	17	16	17	17	
l m n q u	12	14	16	17	11	12	05	06	11	12	11	12	12	14	12	14	14	
b f k o p s	12	14	16	17	12	14	06	10	12	14	12	14	12	14	12	14	14	
c e	12	14	16	17	12	14	06	10	12	14	12	14	12	14	12	14	14	
r	06	10	12	14	06	10	03	03	05	06	05	06	06	10	06	10	10	
t z	12	14	16	17	12	14	06	10	11	12	11	12	12	14	12	14	14	
v y	11	12	14	15	11	12	05	06	06	10	06	10	11	12	11	12	12	
w	11	12	14	15	11	12	05	06	11	12	11	12	11	12	12	14	14	
x	12	14	16	17	11	12	05	06	11	12	11	12	11	12	12	14	14	

Number To Number
Spacing Chart 8 Inch Series "C & D"

SERIES	SECOND LETTER																			
	0 1 2 3 4 5 6 7 8 9																			
	C	D	C	D	C	D	C	D	C	D	C	D	C	D	C	D				
0 9	16	17	16	17	14	15	12	14	14	15	14	15	16	17	12	14	16	17	16	17
1	20	21	20	21	20	21	16	17	14	15	20	21	20	21	14	15	20	21	20	21
2 3 4	14	15	14	15	14	15	12	14	12	14	14	15	14	15	11	12	16	17	14	15
5	14	15	14	15	14	15	11	12	11	12	14	15	14	15	11	12	14	15	14	15
6	16	17	14	15	14	15	12	15	12	14	14	15	14	15	11	12	14	15	14	15
7	12	14	12	14	14	15	12	15	05	06	12	14	14	15	11	12	14	15	12	14
8	16	17	16	17	14	15	12	15	12	14	14	15	16	17	12	14	16	17	14	15

GENERAL NOTES

- WHERE MAST ARM MOUNTED STREET NAME SIGNS ARE SPECIFIED, THE MAST ARM ASSEMBLY AND POLES SHALL BE DESIGNED TO SUPPORT THE LOADINGS CALLED FOR ON STANDARDS 877001, 877002, 877006, 877011 AND 877012, AS APPLICABLE, PLUS TWO (2) SIGN PANELS 2'-6" x 8'-0" MOUNTED AS SHOWN. THE DESIGN SHALL BE IN ACCORDANCE WITH THE REQUIREMENTS OF THE CURRENT "STANDARD SPECIFICATIONS FOR STRUCTURAL SUPPORTS FOR HIGHWAY SIGNS, LUMINAIRES, AND TRAFFIC SIGNALS" AS PUBLISHED BY THE AMERICAN ASSOCIATION OF STATE HIGHWAY AND TRANSPORTATION OFFICIALS FOR 80 M.P.H. WIND VELOCITY.
 - ALL SIGNS SHALL HAVE A WHITE REFLECTORIZED LEGEND AND BORDER ON A GREEN REFLECTORIZED BACKGROUND, TYPE A SHEETING.
 - THE SIGN LENGTH SHOULD BE INCREASED IN 6-INCH INCREMENTS, BUT THE OVERALL LENGTH SHOULD NOT EXCEED 8'-0".
 - ALL BORDERS SHALL BE 3/4" WIDE AND CORNER RADIUS SHALL BE 2-1/4".
 - SIGNFIX ALUMINUM CHANNEL FRAMING SYSTEM SHALL BE USED FOR ALL SIGNS ATTACHED TO SIGNAL POLES AND POSTS. LOCAL SUPPLIERS OF THE SIGNFIX ALUMINUM CHANNEL FRAMING SYSTEM ARE:
* J.O. HERBERT CO. MIDLOTHIAN, VA. * WESTERN REMAC INC. WOODRIDGE, IL.
- PARTS LISTING:
SIGN CHANNEL PART #HPN053 (MED. CHANNEL)
SIGN SCREWS 1/4" x 14 x 1" H.W.H. #3
BRACKETS PART #HPN034 (UNIVERSAL)
CHANNEL CLAMPS WITH STAINLESS STEEL STRAPPING
- OTHER BRANDS OF MOUNTING HARDWARE ARE ACCEPTABLE, BASED UPON THE DEPARTMENT'S APPROVAL AND COMPATIBILITY WITH THE CHANNEL/BACKET OF THE ABOVE PRODUCT.

NUMBER	6 INCH SERIES		8 INCH SERIES	
	C	D	C	D
1	12	14	15	20
2	32	40	43	53
3	32	40	43	53
4	35	43	47	57
5	32	40	43	53
6	32	40	43	53
7	32	40	43	53
8	32	40	43	53
9	32	40	43	53
0	34	42	45	55