

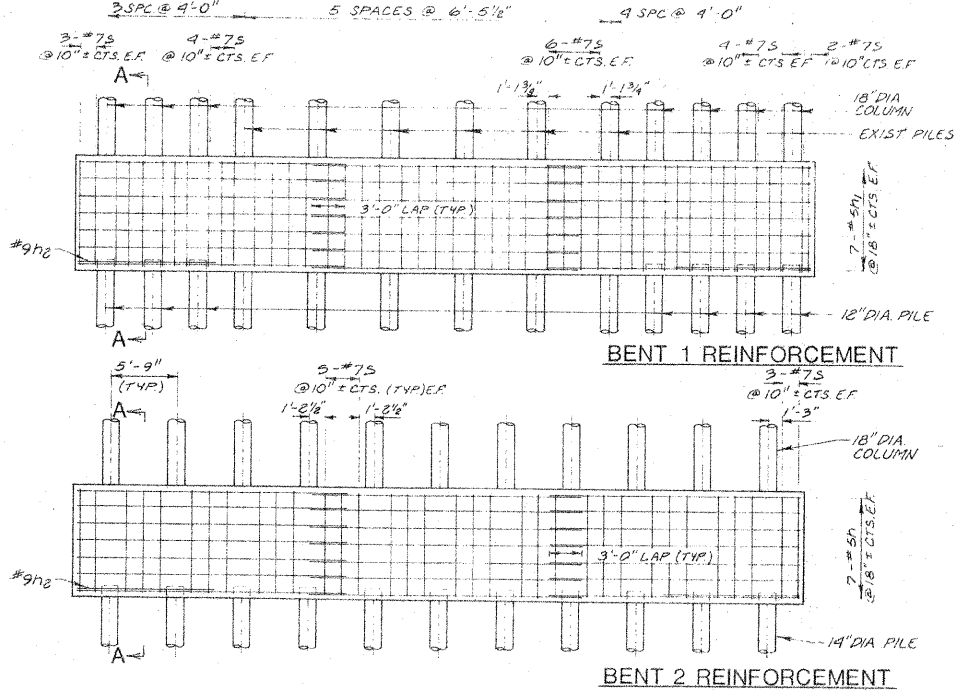
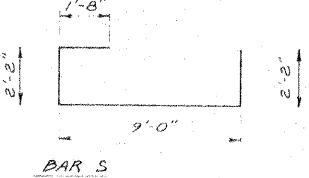
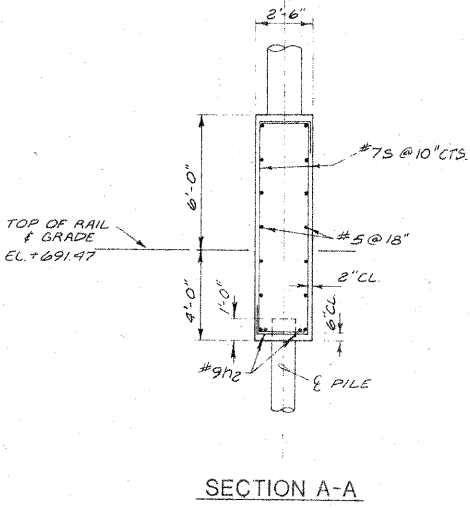
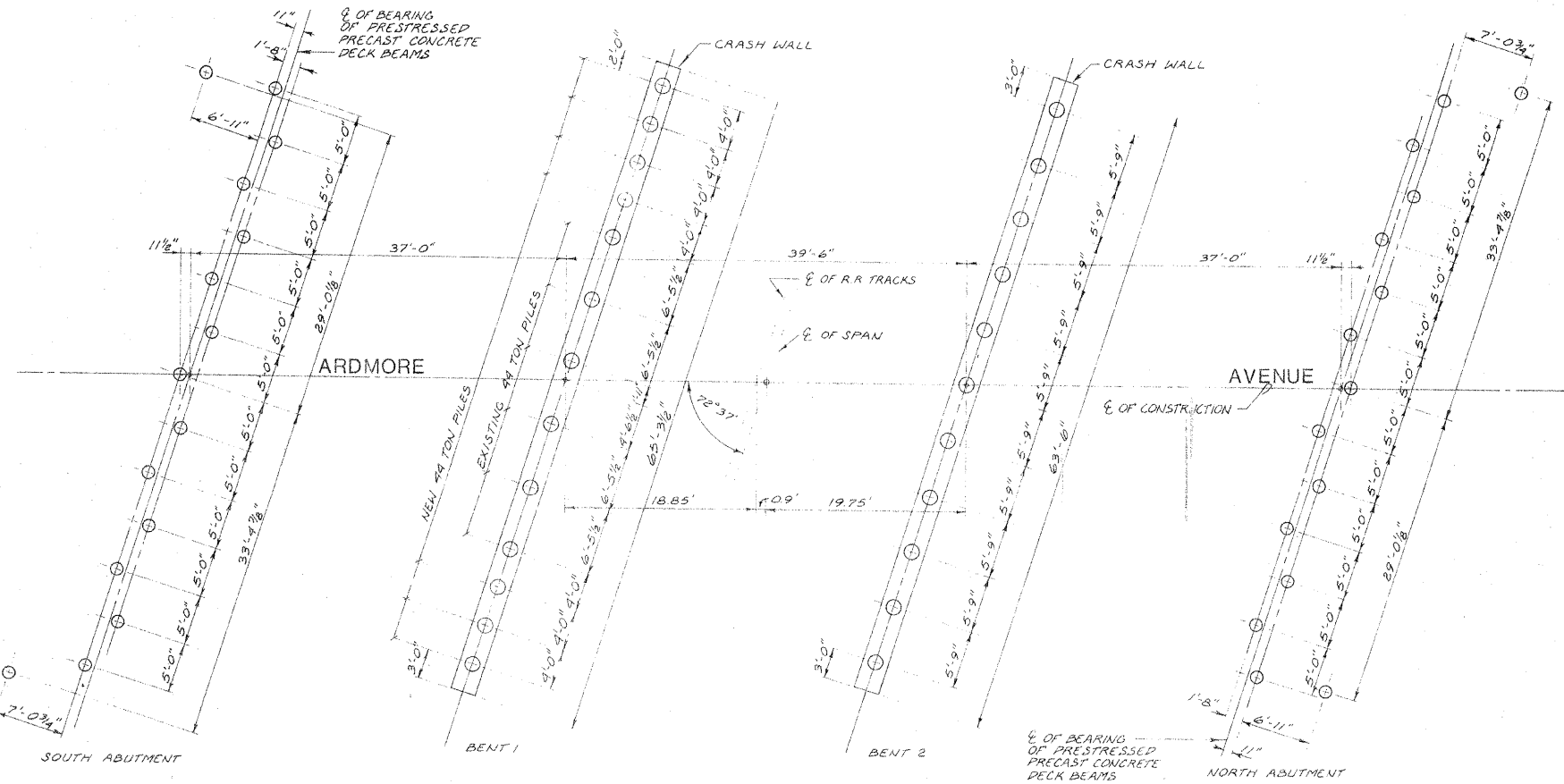
ROUTE	SECTION	COUNTY	TOTAL SHEETS	SHEET NO.
FAU 2651	76-00046-00-65	DUPAGE	36	15
STA.		TO STA.		
FED. ROAD DIST. NO.		ILLINOIS FED. AID PROJECT/MG-5003(400)		

BENT #1 & #2 CRASH WALL
BILL OF MATERIAL

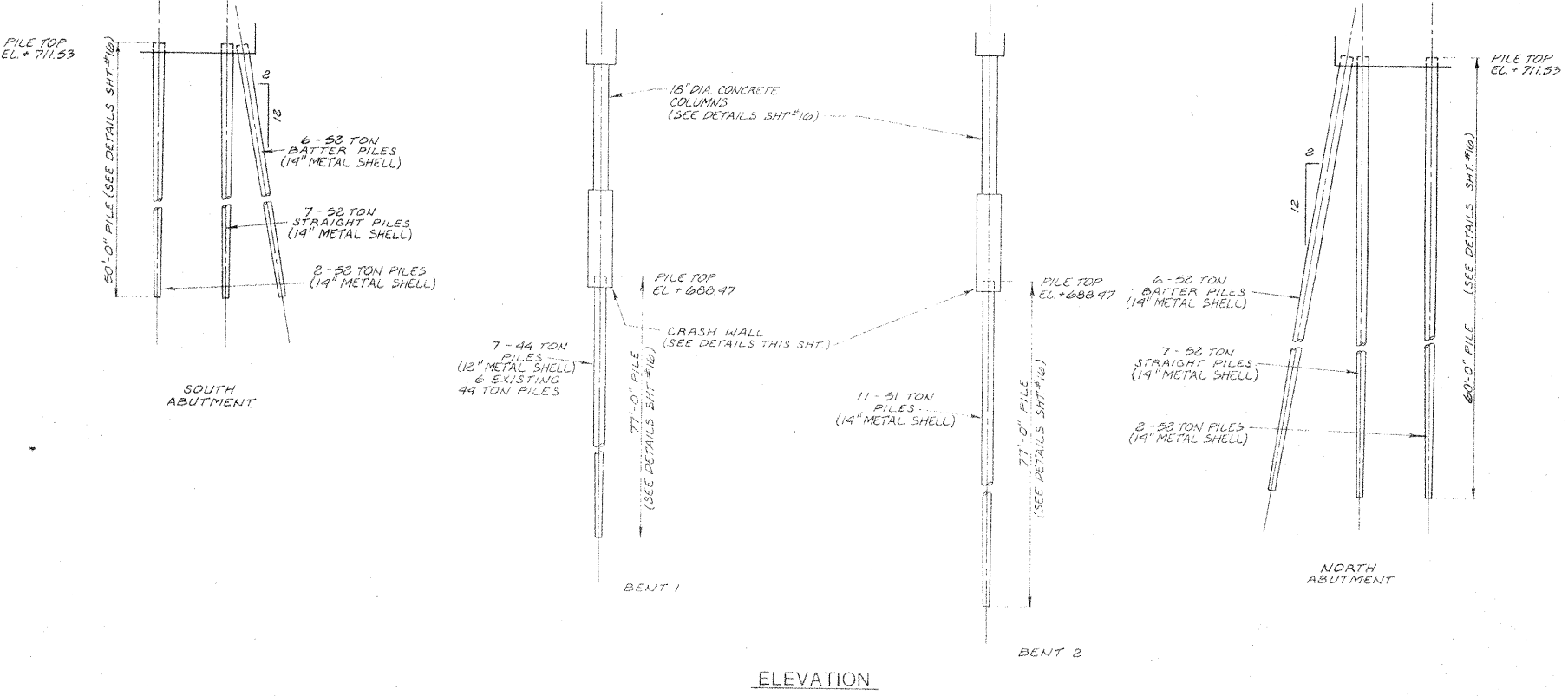
BAR	NO.	SIZE	LENGTH	SHAPE
h	42	#5	23'-0"	—
h ₁	42	#5	23'-8"	—
h ₂	8	#9	12'-0"	—
S	238	#7	15'-0"	□

CLASS X CONCRETE REINFORCEMENT BARS

CU. YDS. 120
POUNDS 9,675



CRASH WALL ELEVATIONS



REVISIONS

NAME	DATE
RCN	1-30-79
Added	7-21-11

ILLINOIS DIVISION OF HIGHWAYS

PILE PLAN

ARDMORE AVENUE BRIDGE

SCALE: AS SHOWN

DATE: 12-28-77

DRAWN BY: D.C.N.

CHECKED BY: G.A.S.