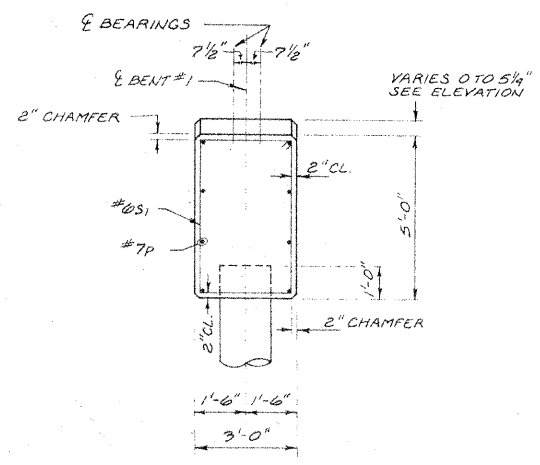
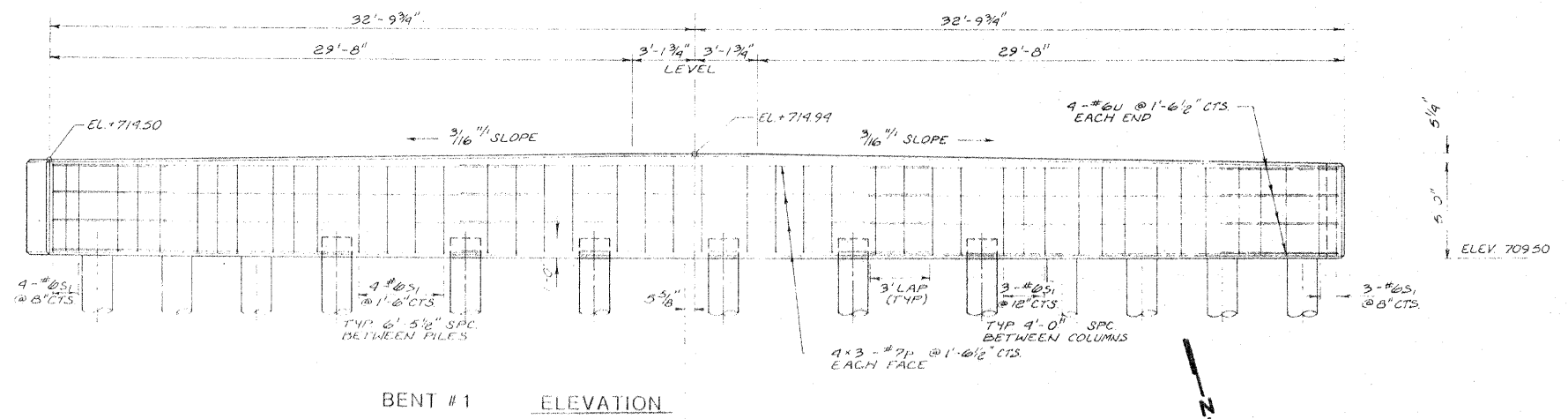


0015-17

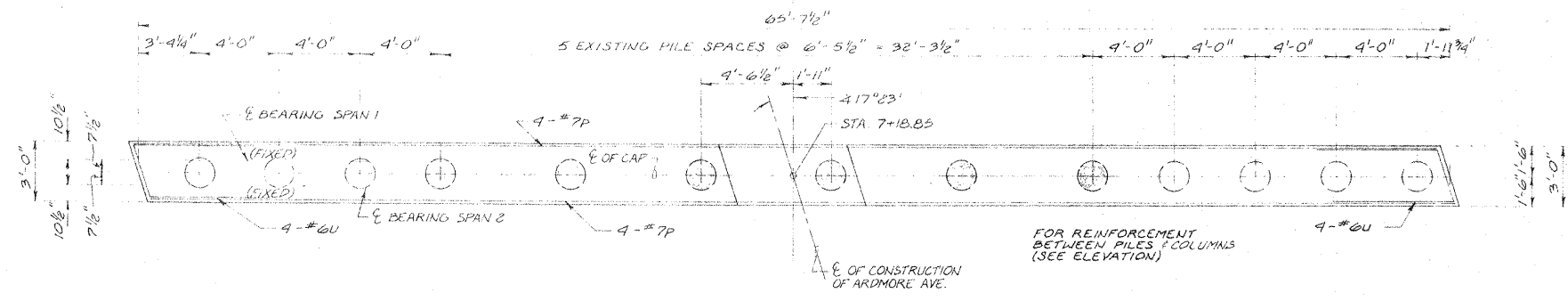
| | | | | |
|--------------------------|----------|-------------------------------|--------------|-----------|
| RTE | SECTION | COUNTY | TOTAL SHEETS | SHEET NO. |
| FAU 76-00046-2631 100-65 | | DUPAGE | 36 | 17 |
| STA. | TO STA. | | | |
| FED. ROAD DIST. NO. | ILLINOIS | FED. AID PROJECT MG-5002(100) | | |



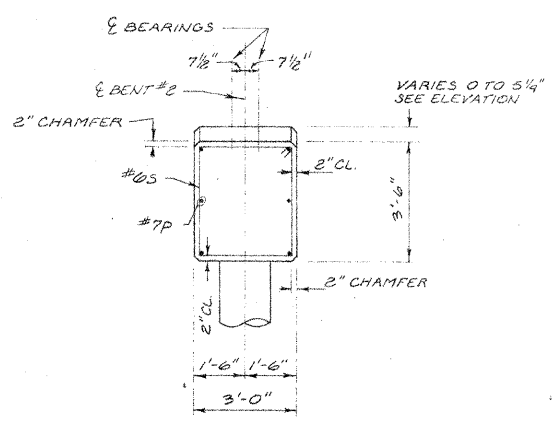
SECTION A-A



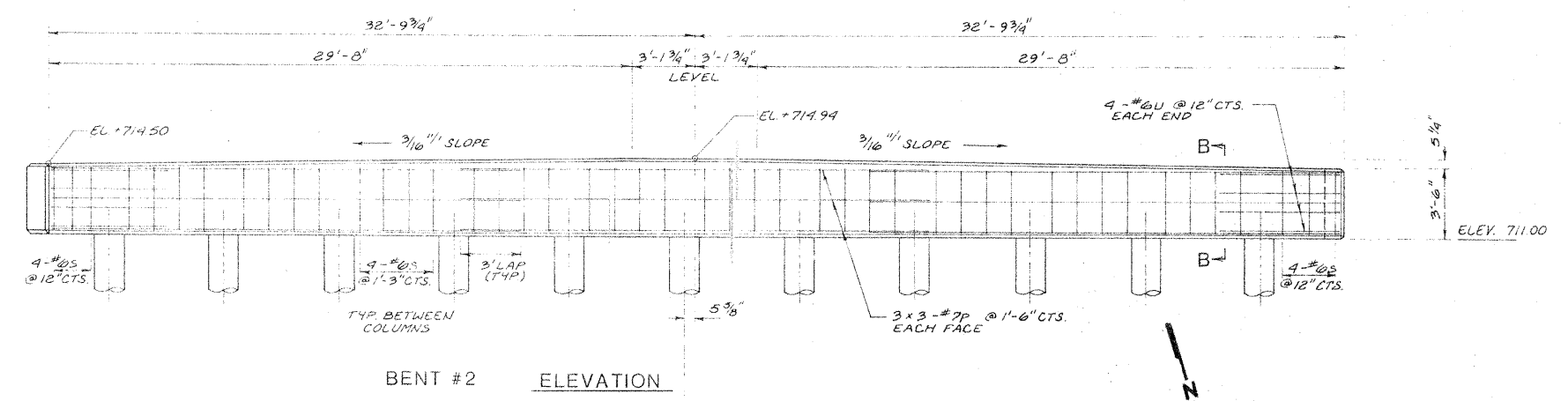
BENT #1 ELEVATION



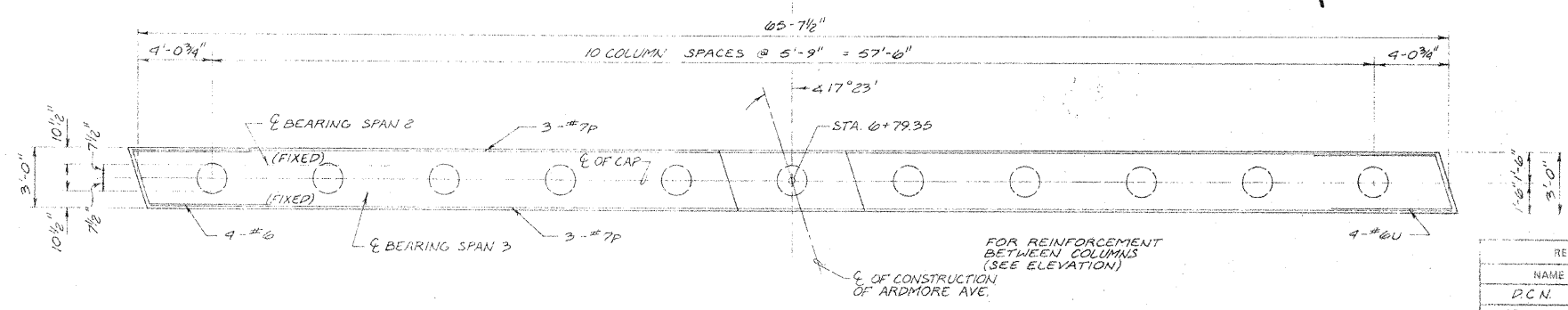
PLAN



SECTION B-B



BENT #2 ELEVATION



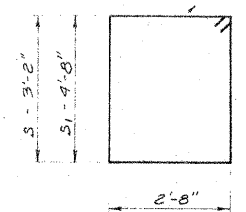
PLAN

BENT #1 & #2 PILE CAPS
BILL OF MATERIAL

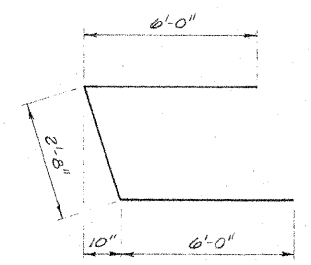
| BAR | NO. | SIZE | LENGTH | SHAPE |
|-------------------------------------|-----|------|----------|-------|
| P | 42 | #7 | 23'-9" | |
| U | 16 | #6 | 14'-8" | |
| S | 48 | #6 | 12'-9" | |
| S1 | 48 | #6 | 15'-9" | |
| CLASS X CONCRETE REINFORCEMENT BARS | | | CU. YDS. | 05 |
| | | | POUNDS | 4,111 |

BENT PILE DATA

| | BENT #1 | BENT #2 |
|---------------|---|--------------------------------------|
| TYPE: | 12" METAL SHELL | 14" METAL SHELL |
| CAPACITY: | 44 TON MIN. | 51 TON MIN. |
| EST. LENGTH: | 77 FEET | 77 FEET |
| NO. REQUIRED: | 7 NEW (INCLUDES 1 TEST PILE AT BENT #1) | 11 (INCLUDES 1 TEST PILE AT BENT #2) |



BAR S & S1



BAR U

| REVISIONS | |
|-----------|---------|
| NAME | DATE |
| P.C.N. | 1-30-78 |
| Added | 7-21-11 |

ILLINOIS DIVISION OF HIGHWAYS
PILE CAP PLANS & DETAILS
ARDMORE AVENUE BRIDGE

SCALE: AS SHOWN
DATE: 12-28-77
DRAWN BY: D.C.N.
CHECKED BY: G.A.S.

0015-17