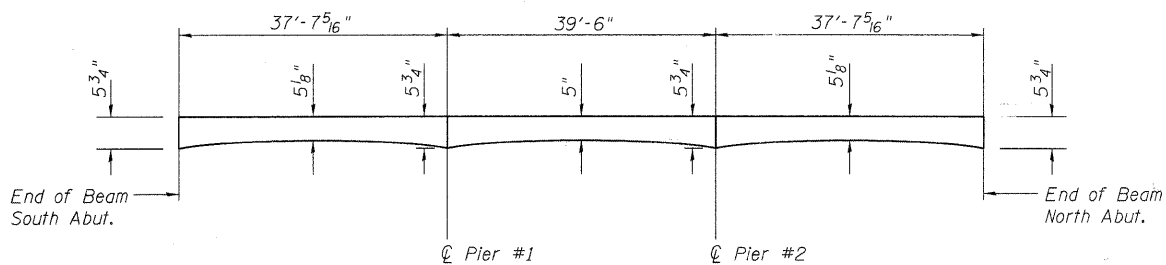
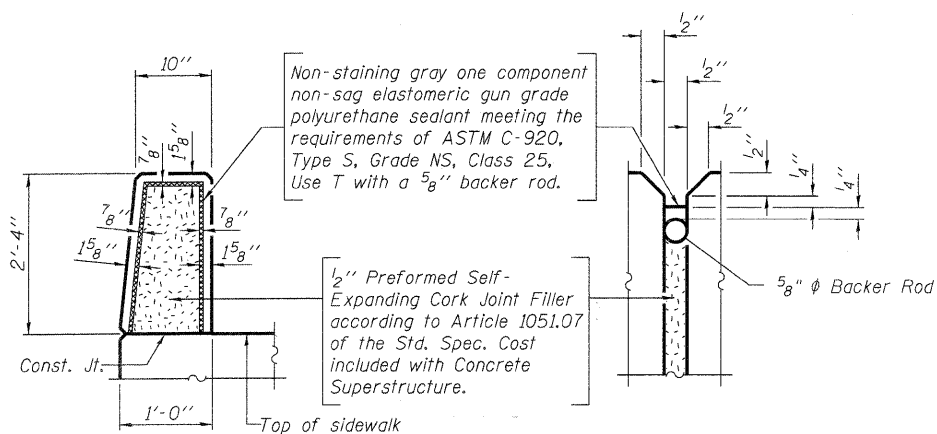


**INSIDE ELEVATION OF PARAPET**

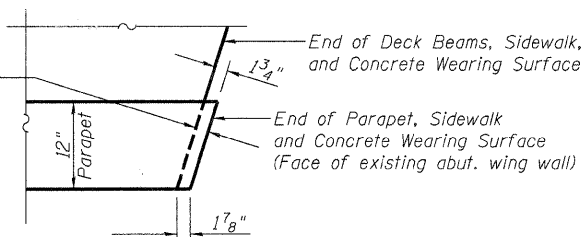


**CONCRETE WEARING SURFACE PROFILE**

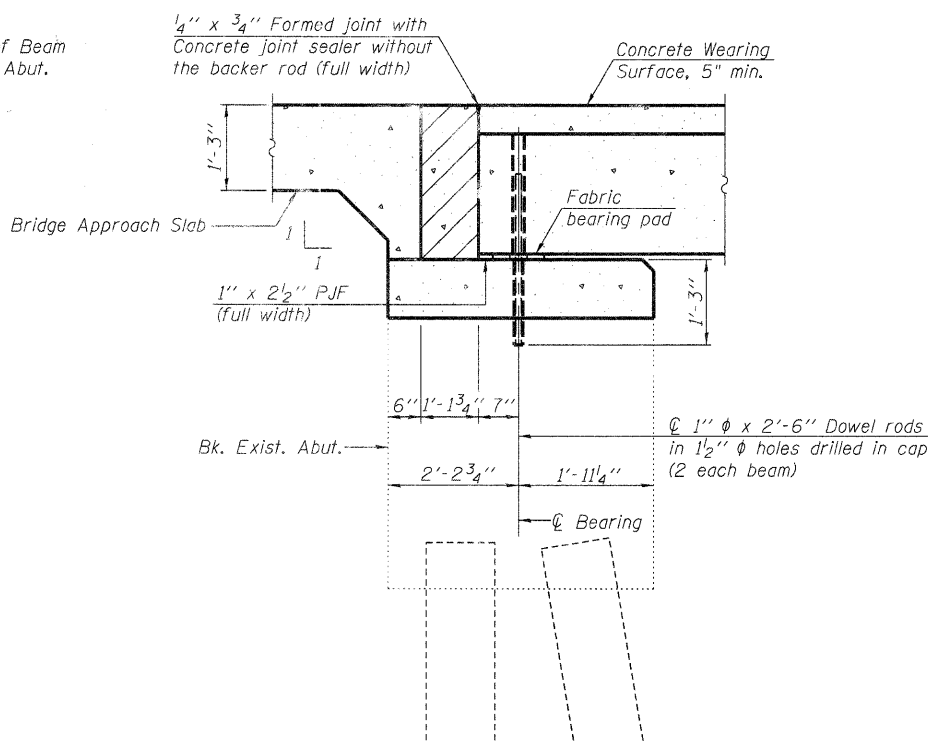


**PARAPET JOINT DETAILS**

1 3/4" opening between face of existing wing wall and face of 17" PPC Deck Beam shall be filled with non-shrink grout. 1 3/4" dimension may vary to accommodate tolerance in beam length.

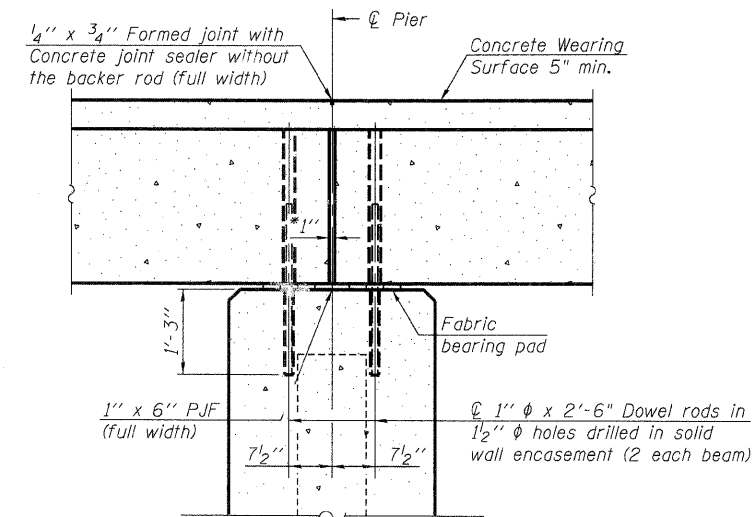


**DETAIL 1**  
(typ. all 4 corners)



**SECTION A-A**

(Dimensions are at Rt. L's)



**SECTION B-B**

(Dimensions are at Rt. L's)

\* 1" Joint shall be filled with non-shrink grout. 1" dimension may vary to accommodate tolerance in beam length.

**NOTES**

See sheet 18 of 29 for Aluminum Railing details.  
See sheet 4 of 29 for bar details and Bill of Material.

**SUPERSTRUCTURE DETAILS**  
**STRUCTURE NO. 022-6930**

**V3** Companies of Illinois Ltd.  
7325 Janes Avenue  
Woodridge, IL 60517  
630.724.9200 phone  
630.724.9202 fax  
www.v3co.com

SHEET NO. 7 29 SHEETS	F.A.U. RTE.	SECTION	COUNTY	TOTAL SHEETS	SHEET NO.
	2651	07-00083-00-BR	DUPAGE	50	21
CONTRACT NO. 63601					
FED. ROAD DIST. NO. _ ILLINOIS FED. AID PROJECT					