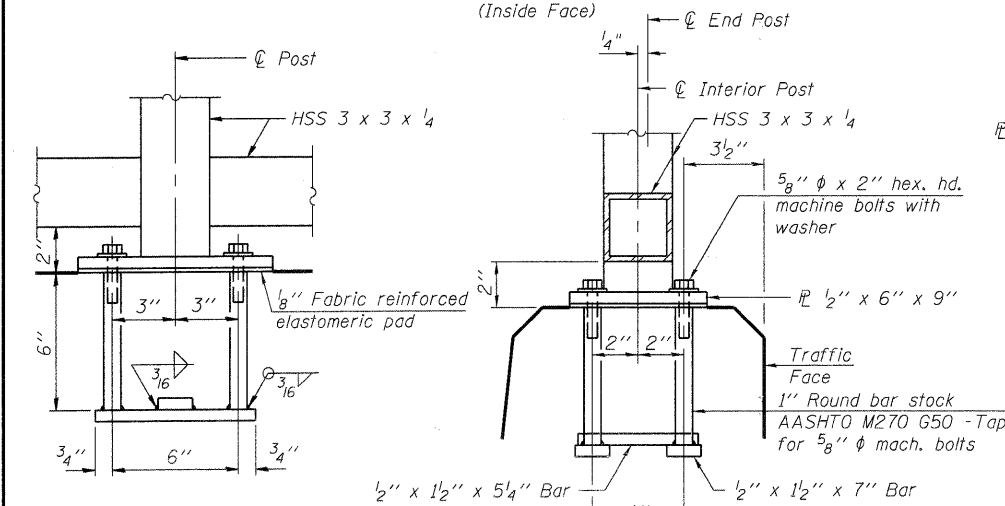
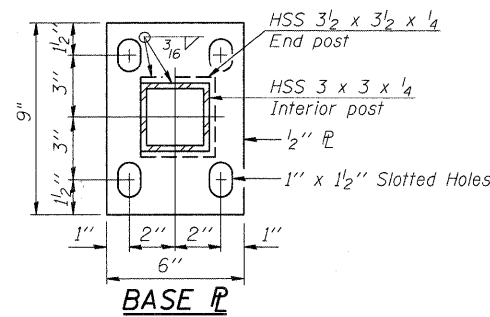


**ELEVATION**  
(Inside Face)

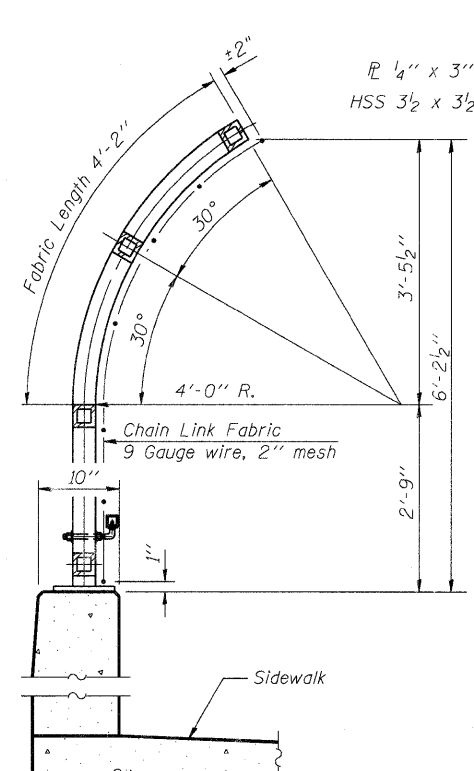


**ANCHOR BOLT DETAILS**

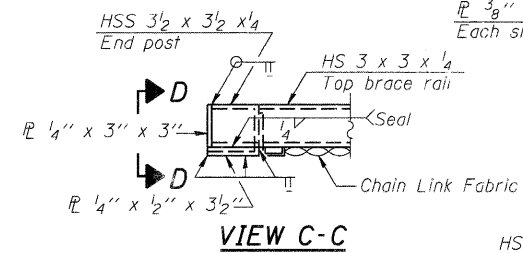
In lieu of the cast-in-place anchor device shown, the Contractor has the option of drilling and setting 5/8"  $\phi$  anchor rods according to Article 509.06 of the Standard Specifications. Embedment shall be according to the manufacturer's specifications.



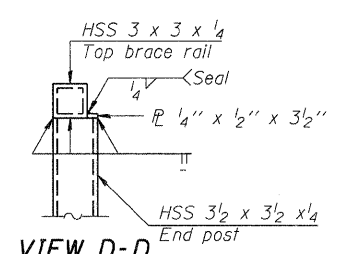
**BASE R**



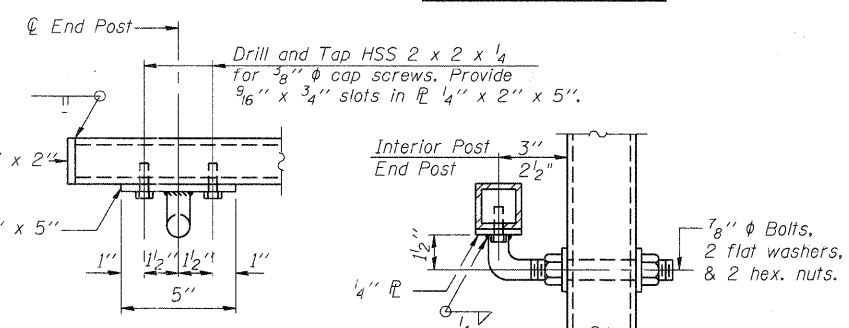
**SECTION A-A**



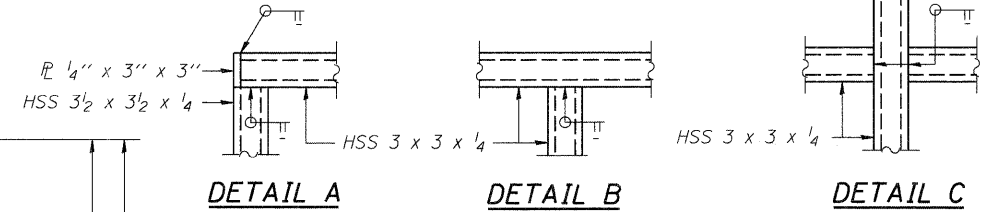
**VIEW C-C**



**VIEW D-D**



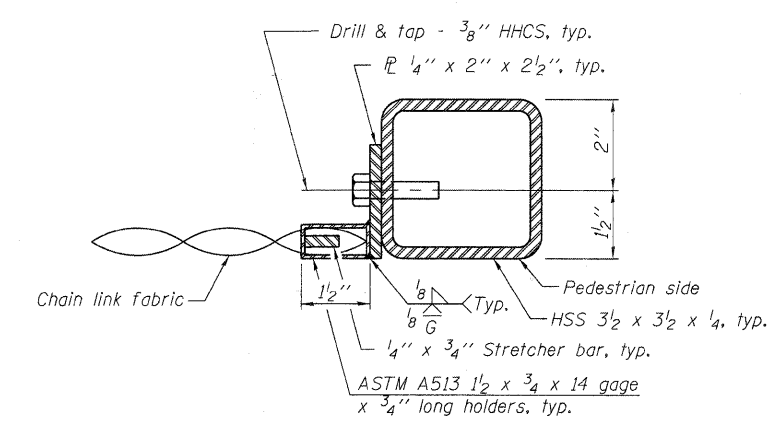
**HANDRAIL DETAIL**



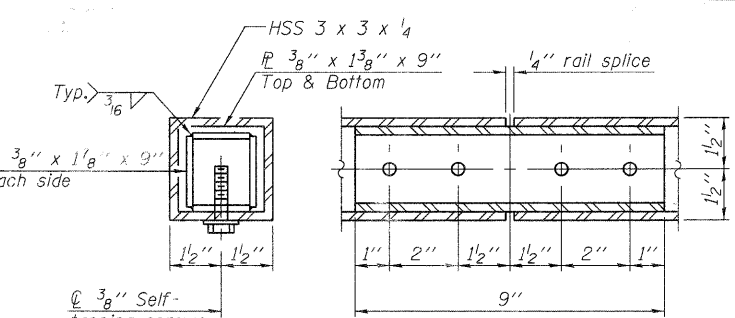
**DETAIL A**

**DETAIL B**

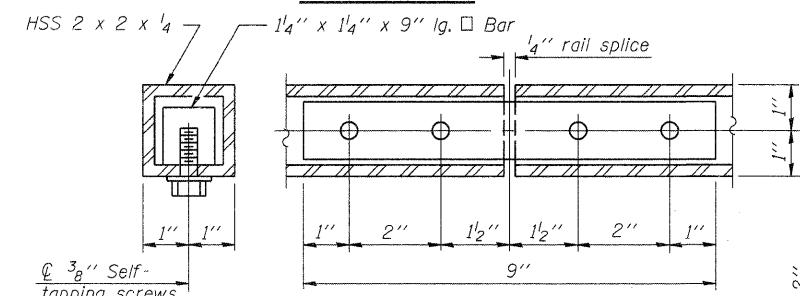
**DETAIL C**



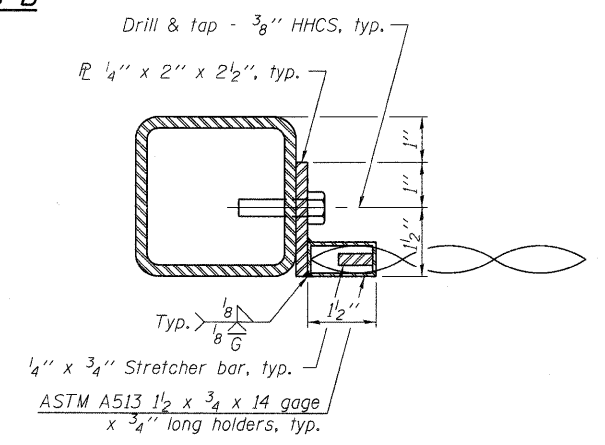
**SECTION B-B**



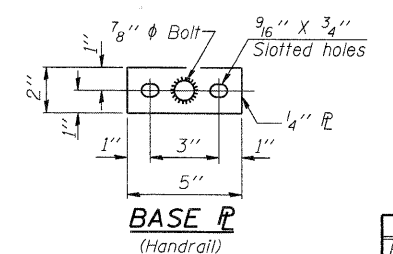
**RAIL SPLICE**



**HANDRAIL SPLICE**



**SECTION E-E**



**BASE R**  
(Handrail)

All steel rail elements shall be galvanized according to Article 509.05 of the Standard Specifications.

**BILL OF MATERIAL**

Item	Unit	Quantity
Bridge Fence Railing	Foot	228

**BRIDGE FENCE RAILING  
PARAPET MOUNTED  
STRUCTURE NO. 022-6930**

**V3**  
V3 Companies of Illinois Ltd.  
7325 Janes Avenue  
Woodridge, IL 60517  
630.724.9200 phone  
630.724.9202 fax  
www.v3co.com

SHEET NO. 18 29 SHEETS	F.A.U. RTE. 2651	SECTION 07-00083-00-BR	COUNTY DUPAGE	TOTAL SHEETS 50	SHEET NO. 32
	CONTRACT NO. 63601			FED. ROAD DIST. NO. - ILLINOIS FED. AID PROJECT	