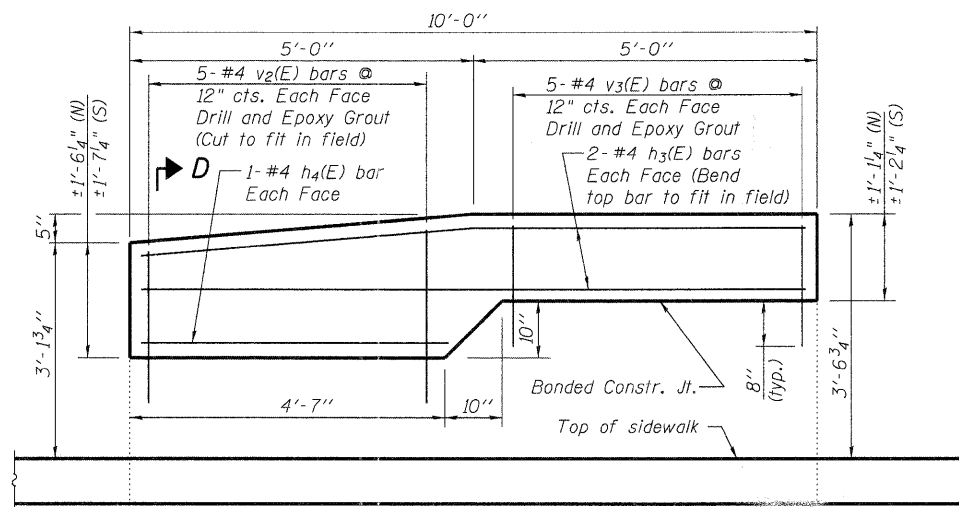
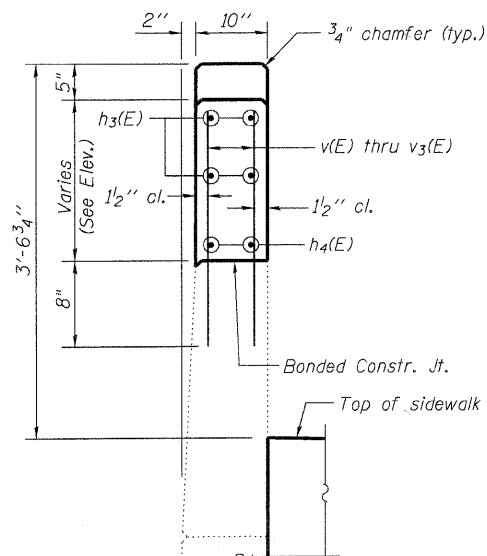


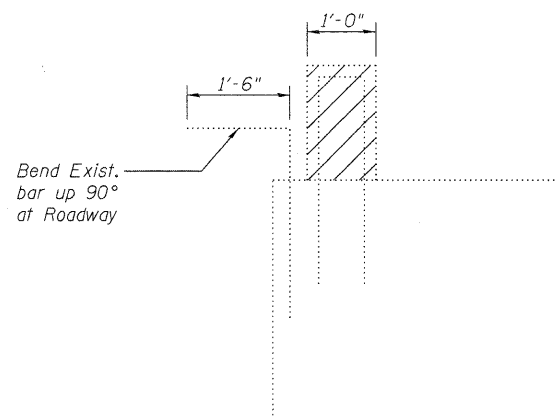
ELEVATION OF NW & SE WING WALL



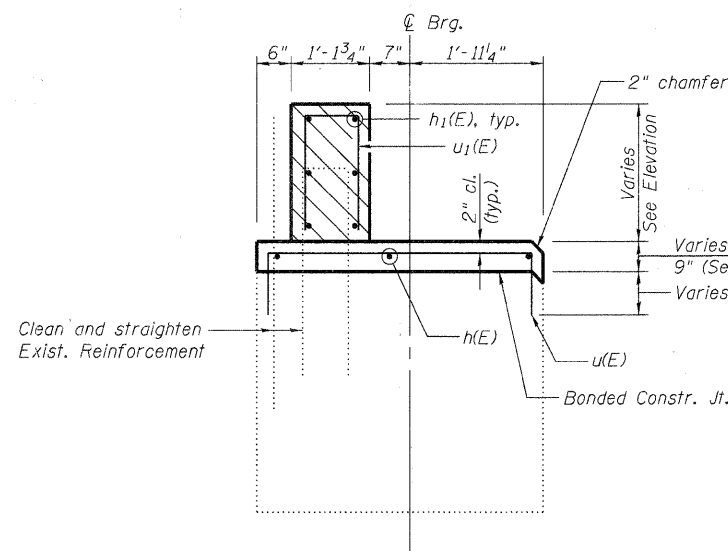
ELEVATION OF NE & SW WING WALL



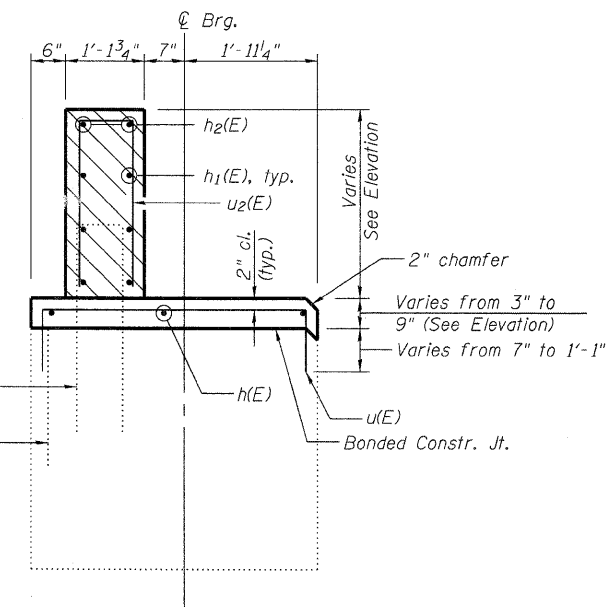
SECTION D-D



SECTION A-A



SECTION B-B



SECTION C-C

To be poured after beams and concrete wearing surface are in place

Concrete Removal

ABUTMENT DETAILS
STRUCTURE NO. 022-6930

V3 Companies of Illinois Ltd.
7325 Janes Avenue
Woodridge, IL 60517
630.724.9200 phone
630.724.9202 fax
www.v3co.com

SHEET NO. 21	F.A.U. RTE.	SECTION	COUNTY	TOTAL SHEETS	SHEET NO.
	2651	07-00083-00-BR	DUPAGE	50	35
29 SHEETS	CONTRACT NO. 63601				
FED. ROAD DIST. NO. _ ILLINOIS FED. AID PROJECT					