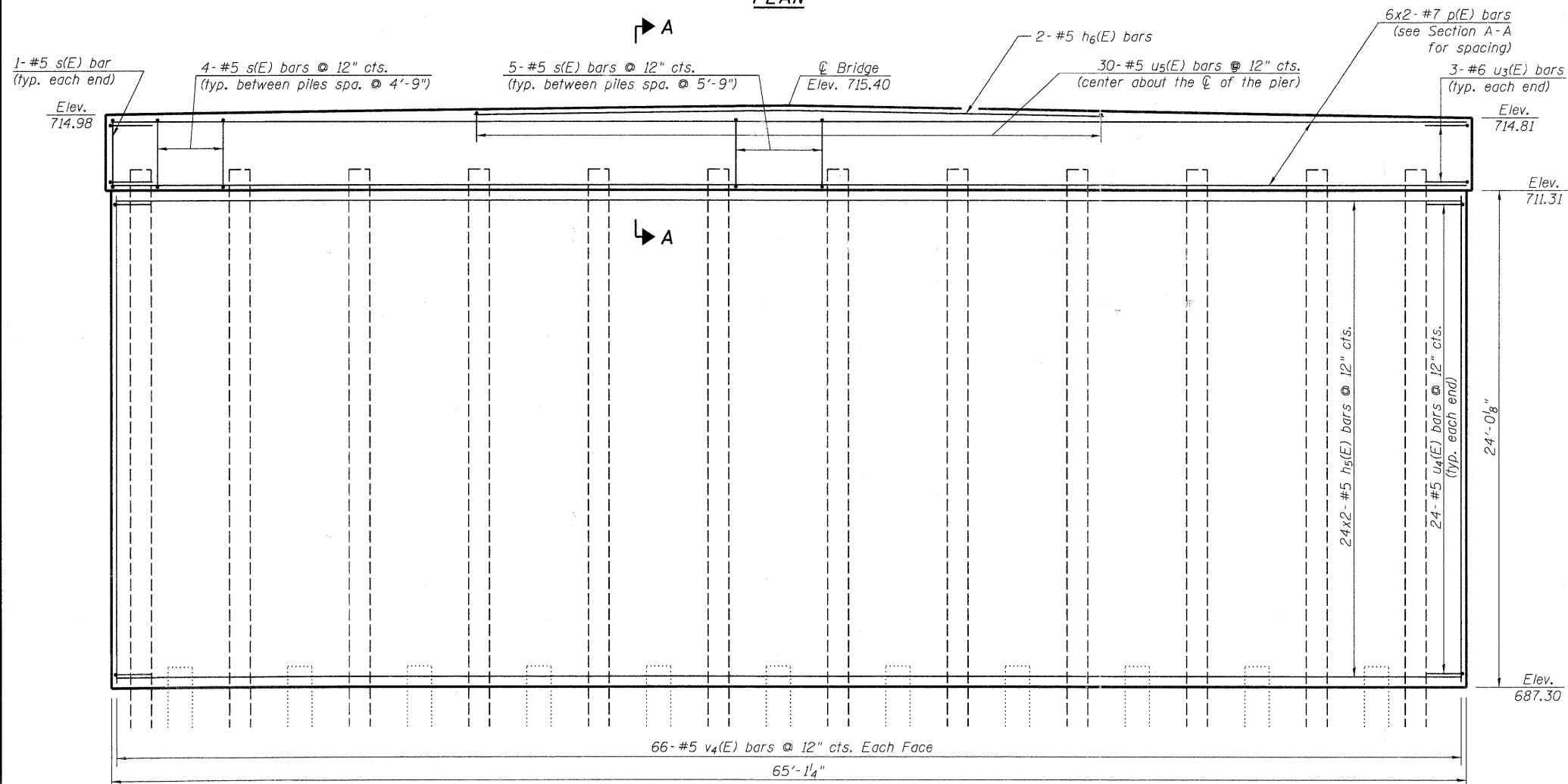
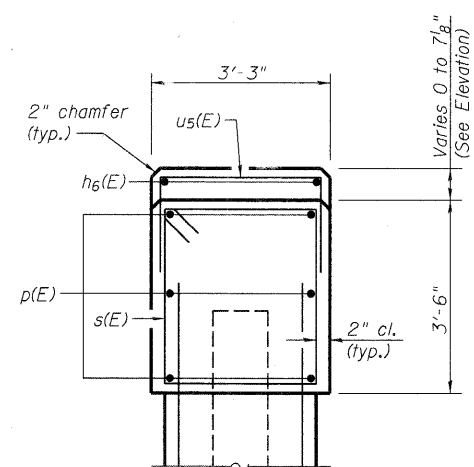


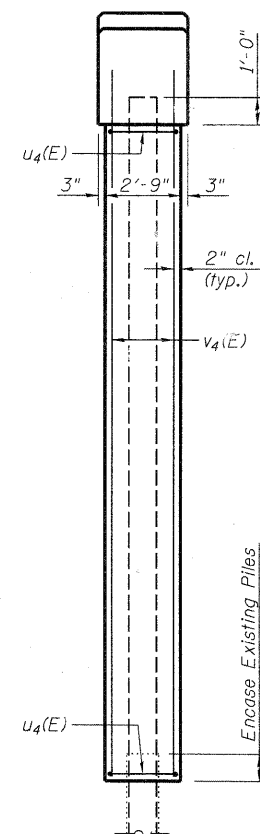
PLAN



ELEVATION
(Looking South)



SECTION A-A



END VIEW

PILE DATA

Type: HP 14x117
 Nominal Required Bearing: 393 Kips
 Allowable Resistance Available: 131 Kips
 Est. Length: 73'
 No. Production Piles: 11
 No. Test Piles: 1

PIER #2

STRUCTURE NO. 022-6930

NOTES

Space reinforcement in cap to miss anchor bolts.
 For details of piles, see sheet 24 of 29.
 See Sheet 22 of 29 for bar details, Bearing Pad and Braced Excavation Plan and Bill of Material.
 The existing pier will be removed and paid for as Concrete Removal.



V3 Companies of Illinois Ltd.
 7325 Janes Avenue
 Woodridge, IL 60517
 630.724.9200 phone
 630.724.9202 fax
 www.v3co.com

SHEET NO. 23	F.A.U. RTE.	SECTION	COUNTY	TOTAL SHEETS	SHEET NO.
	2651	07-00083-00-BR	DUPAGE	50	37
29 SHEETS	CONTRACT NO. 63601				
FED. ROAD DIST. NO. _ ILLINOIS FED. AID PROJECT					