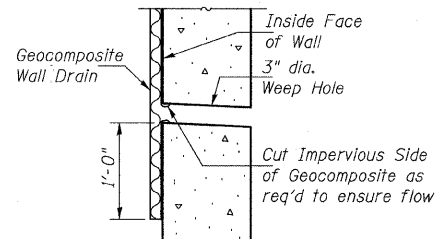
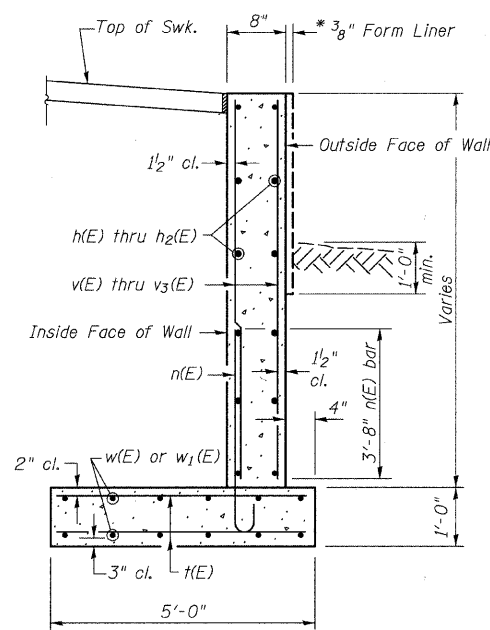


TYPICAL SECTION

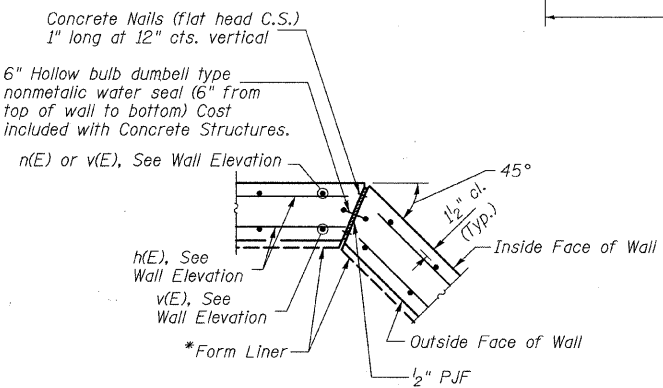
*An additional thickness of concrete, in addition to the wall thickness detailed, will be required for the form liner finish. The cost of this additional concrete is included in the cost of Form Liner Textured Surface (Special).



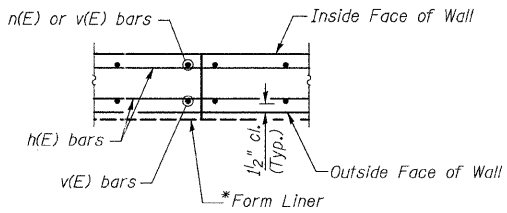
WEEP HOLE DRAIN DETAIL



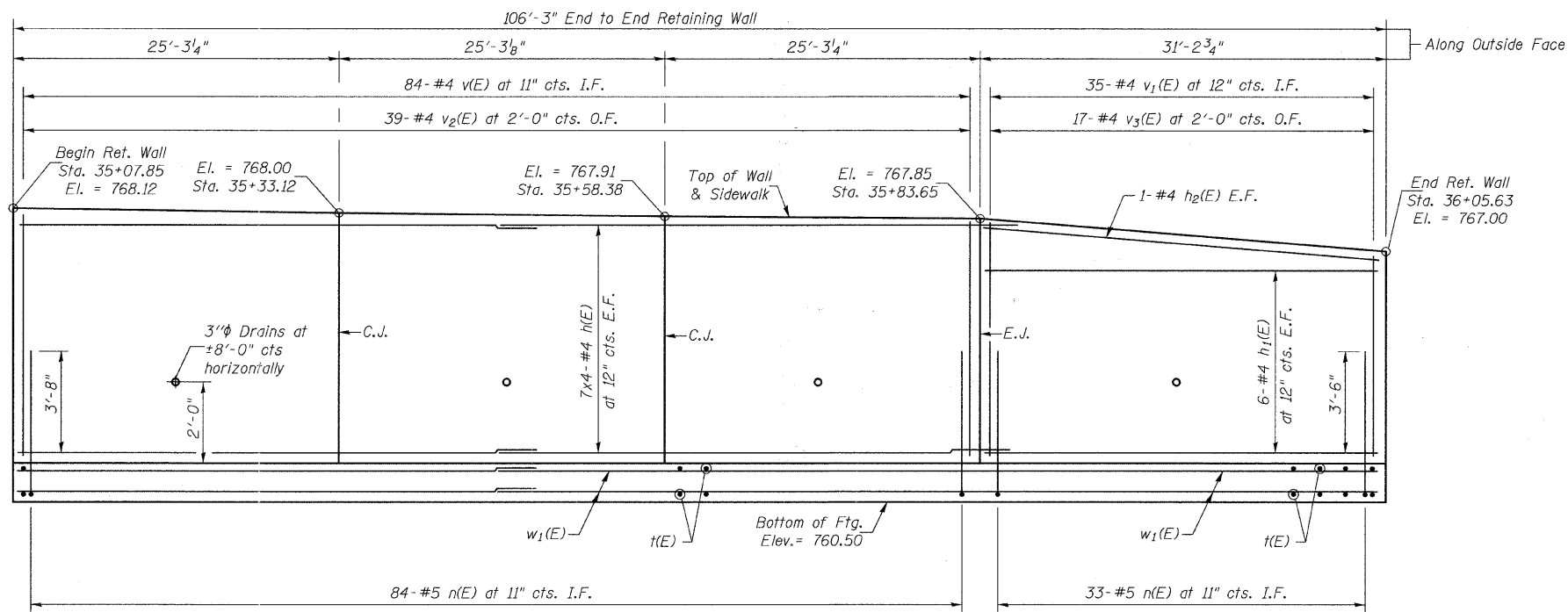
SECTION A-A (Showing Reinforcement)



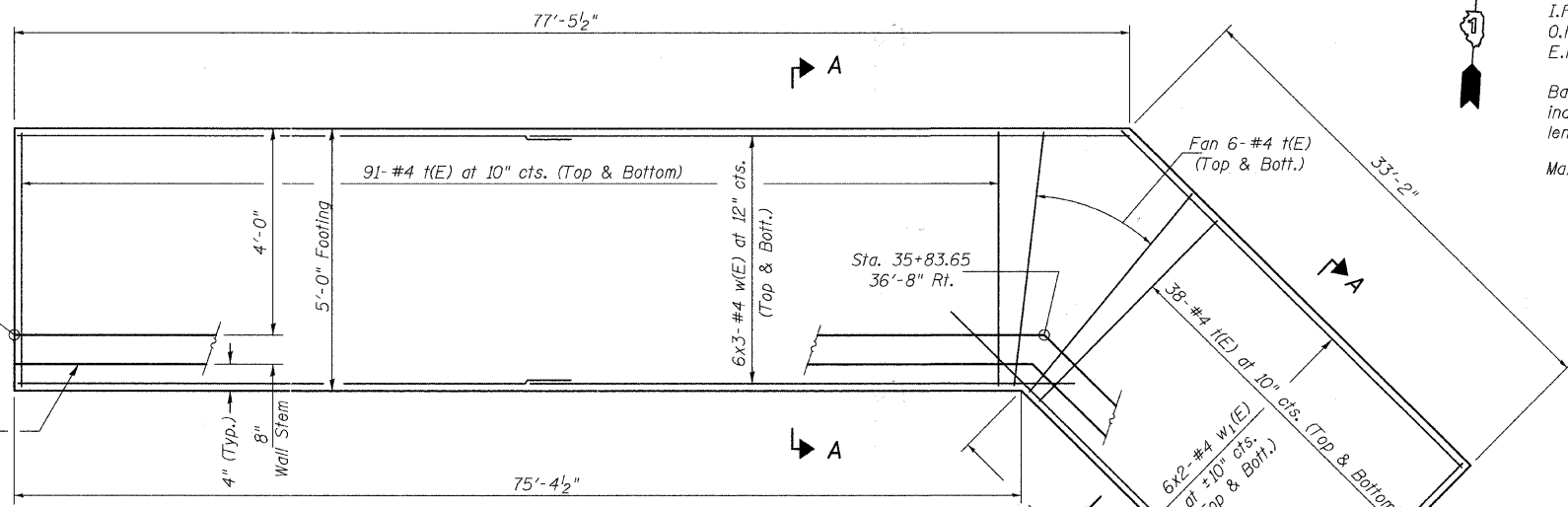
EXPANSION JOINT DETAIL



CONSTRUCTION JOINT DETAIL



ELEVATION (Outside Face Elevation)



PLAN

NOTES
 E.J. = Expansion Joint
 C.J. = Construction Joint
 I.F. = Inside Face
 O.F. = Outside face
 E.F. = Each Face
 Bars indicated thus 8x3-#4 etc. Indicates 8 lines of bars with three lengths per line.
 Max. Applied Bearing Pressure: = 1.66 ksf

MIN. BAR LAP
 #4 = 1'-8"
 #5 = 2'-2"

RETAINING WALL #1 DETAILS
 C.H. 35 (55TH STREET)
 SECTION 94-00302-00-FP
 DU PAGE COUNTY
 STA. 35+07.85 TO STA. 36+05.63

DESIGNED	JOH
CHECKED	BAN
DRAWN	TAC
CHECKED	JOH

HUTCHISON ENGINEERING, INC. Jacksonville & Shorewood, Illinois Date: 2011	SHEET NO. 2 3 SHEETS	F.A.U. RTE.	SECTION	COUNTY	TOTAL SHEETS	SHEET NO.
		1504	94-00302-00-FP	DU PAGE	240	145
				CONTRACT NO. 63609		
				ILLINOIS	FED. AID PROJECT	