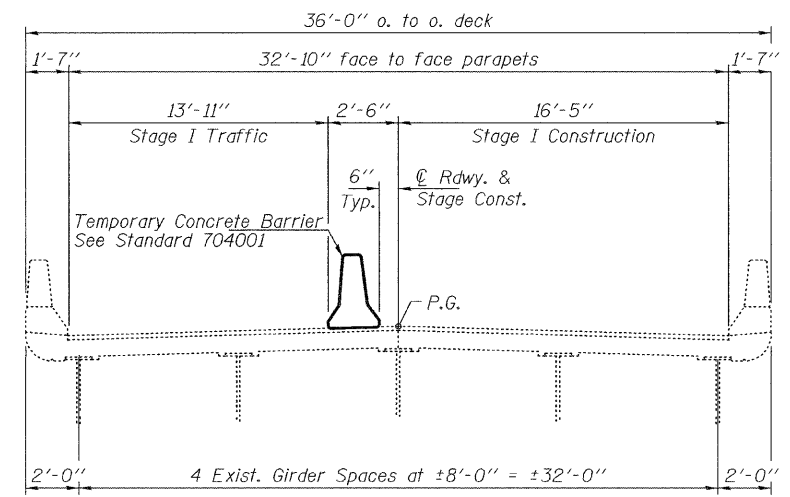
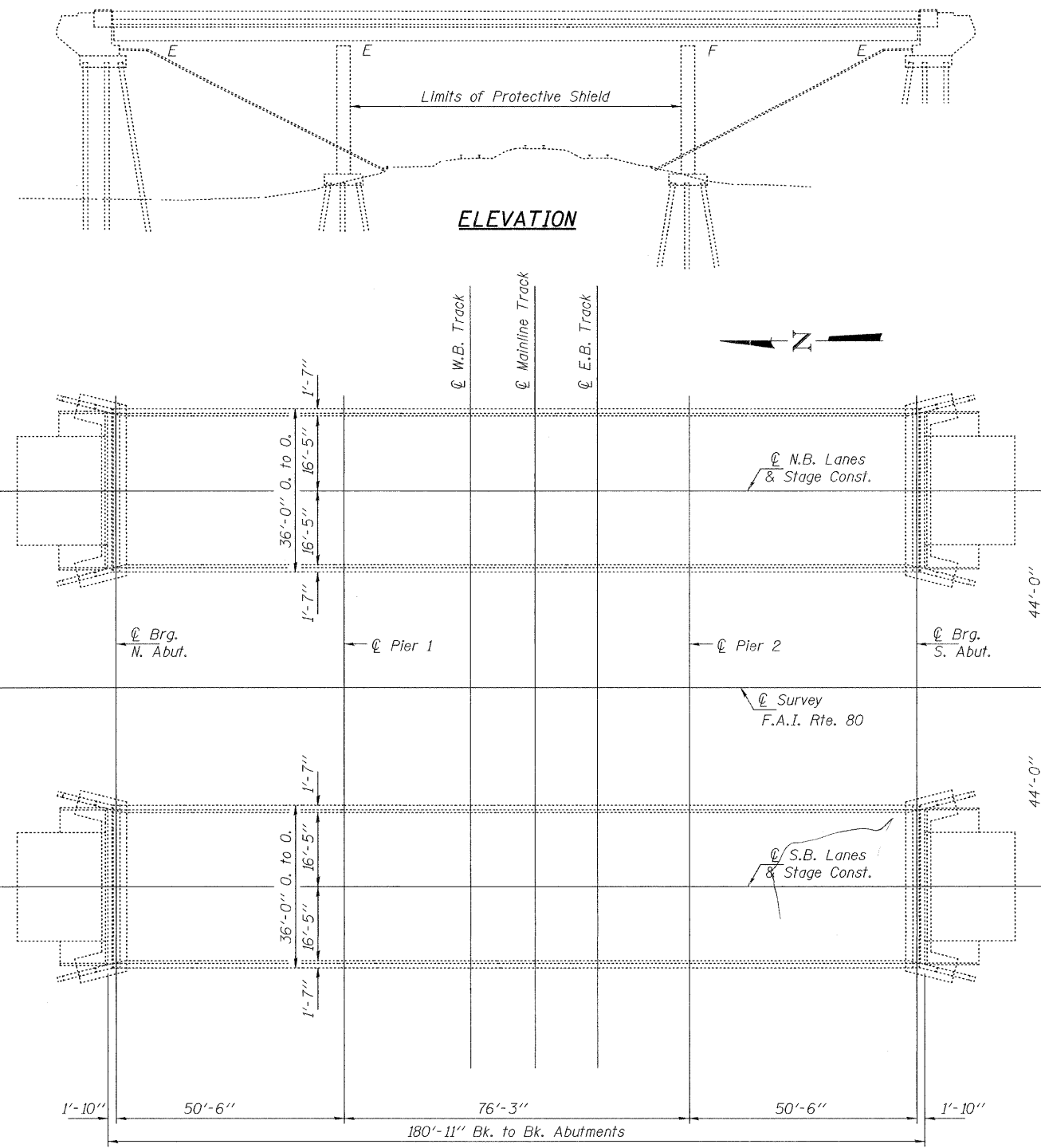


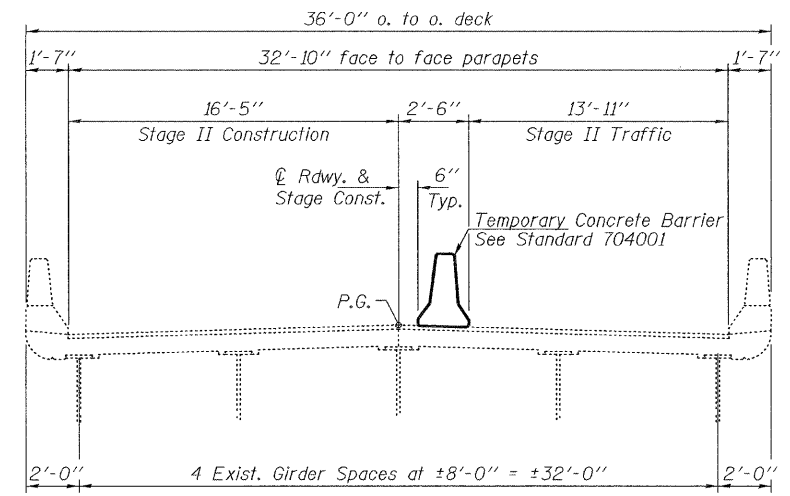
GENERAL NOTES

Plan dimensions and details relative to existing plans are subject to nominal construction variations. The Contractor shall field verify existing dimensions and details affecting new construction and make necessary approved adjustments prior to construction or ordering of materials. Such variations shall not be cause for additional compensation for a change in scope of the work, however, the Contractor will be paid for the quantity actually furnished at the unit price bid for the work.

Existing reinforcement bars extending into the removal area shall be cleaned, straightened and incorporated into the new construction. Any reinforcement bars that are damaged during concrete removal shall be replaced with an approved bar splicer or anchorage system. Cost included with Concrete Removal.



CROSS SECTION
(Looking South SN 081-0015)
(Looking North SN 081-0014)



CROSS SECTION
(Looking South SN 081-0015)
(Looking North SN 081-0014)

TOTAL BILL OF MATERIAL

Item	Unit	Quantity
Deck Slab Repair (Partial)	Sq. Yd.	200
Deck Slab Repair (Full Depth, Type I)	Sq. Yd.	350
Protective Shield	Sq. Yd.	520
Polymerized Leveling Binder (Machine Method), N50	Ton	56
Polymerized Hot-Mix Asphalt Surface Course, Mix "D", N90	Ton	112
Silicone Joint Sealer, 2-3/4"	Foot	70
Silicone Joint Sealer, 1-3/4"	Foot	70
Deck Slab Repair (Full Depth, Type II)	Sq. Yd.	100



EXPIRES 11-30-2012

DESIGNED <i>Victor Velin</i>	EXAMINED <i>John F. Hill</i>	DATE <u>JUNE 29, 2011</u>
CHECKED <i>[Signature]</i>	ACTING ENGINEER OF STRUCTURAL SERVICES	
DRAWN <i>balva</i>	PASSED <i>[Signature]</i>	REVISOR
CHECKED <i>[Signature]</i>	ACTING ENGINEER OF BRIDGES AND STRUCTURES	REVISOR

STATE OF ILLINOIS
DEPARTMENT OF TRANSPORTATION

Rev. 7-26-11
PLAN AND ELEVATION
FAI 80 OVER BNRR
SN 081-0014 (SB) & 081-0015 (NB)
SHEET NO. 1 OF 3 SHEETS

F.A.I. RTE.	SECTION	COUNTY	TOTAL SHEETS	SHEET NO.
80	(37-1BY-1, 81-1VB, 81-1HB-1M-1)	ROCK ISLAND	15	6
CONTRACT NO. 64H27			ILLINOIS FED. AID PROJECT	