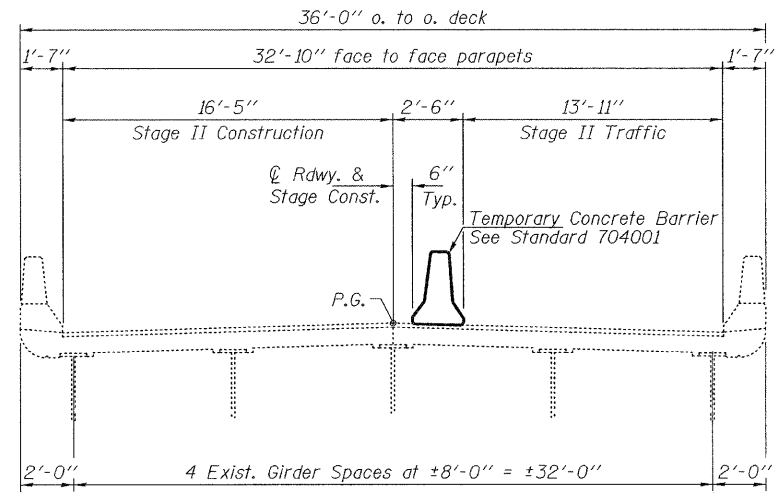
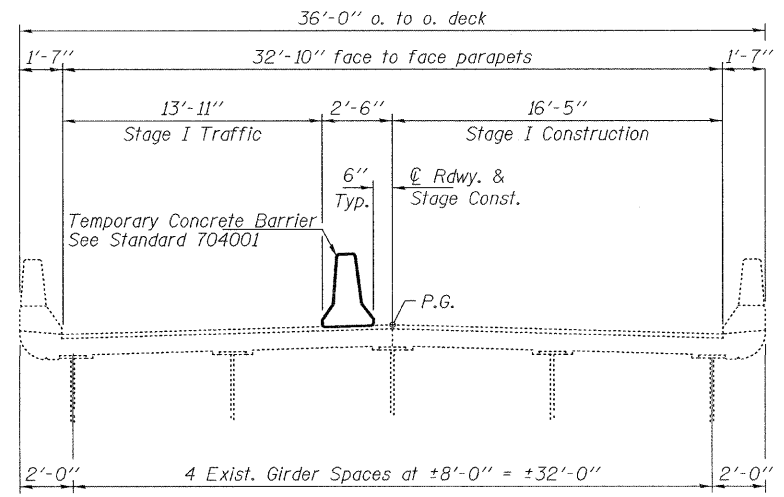


GENERAL NOTES

Plan dimensions and details relative to existing plans are subject to nominal construction variations. The Contractor shall field verify existing dimensions and details affecting new construction and make necessary approved adjustments prior to construction or ordering of materials. Such variations shall not be cause for additional compensation for a change in scope of the work, however, the Contractor will be paid for the quantity actually furnished at the unit price bid for the work.

Existing reinforcement bars extending into the removal area shall be cleaned, straightened and incorporated into the new construction. Any reinforcement bars that are damaged during concrete removal shall be replaced with an approved bar splicer or anchorage system. Cost included with Concrete Removal.



TOTAL BILL OF MATERIAL

Item	Unit	Quantity
Deck Slab Repair (Partial)	Sq. Yd.	200
Deck Slab Repair (Full Depth, Type I)	Sq. Yd.	450
Protective Shield	Sq. Yd.	520
Polymerized Leveling Binder (Machine Method), N50	Ton	56
Polymerized Hot-Mix Asphalt Surface Course, Mix "D", N90	Ton	112
Silicone Joint Sealer, 2-3/4"	Foot	70
Silicone Joint Sealer, 1-3/4"	Foot	70



EXPIRES 11-30-2012

DESIGNED <i>Victor Kelly</i>	EXAMINED <i>John F. [Signature]</i>	DATE <u>JUNE 29, 2011</u>	STATE OF ILLINOIS DEPARTMENT OF TRANSPORTATION	PLAN AND ELEVATION FAI 80 OVER BNRR SN 081-0014 (SB) & 081-0015 (NB)	F.A.I. RTE. 80	SECTION (37-18Y-1, 81-1VB, 81-1HB-1M-1)	COUNTY ROCK ISLAND	TOTAL SHEETS 15	SHEET NO. 6	
CHECKED <i>[Signature]</i>	PASSED <i>[Signature]</i>	REVISED			CONTRACT NO. 64H27					
DRAWN <i>baliva</i>	ACTING ENGINEER OF STRUCTURAL SERVICES	REVISED			ILLINOIS FED. AID PROJECT					
CHECKED <i>[Signature]</i>	ACTING ENGINEER OF BRIDGES AND STRUCTURES	REVISED			SHEET NO. 1 OF 3 SHEETS					