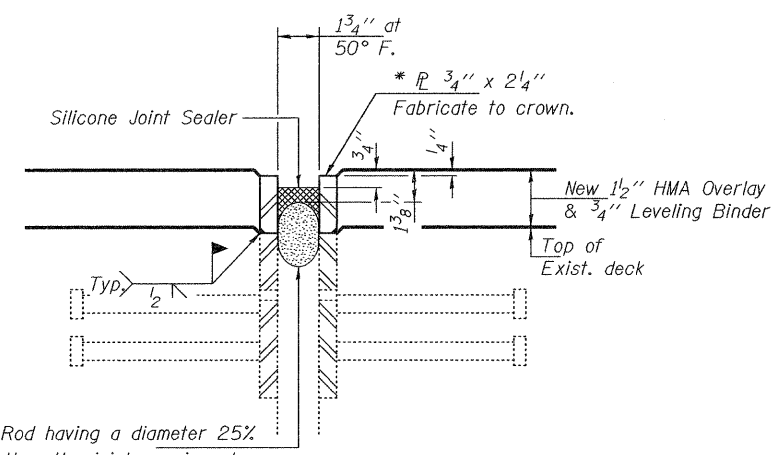


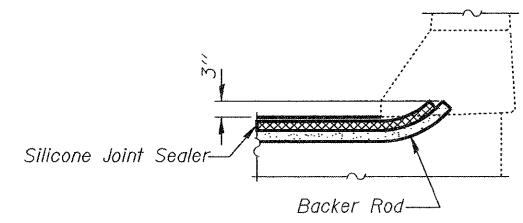
PLAN

Hatched areas indicate Deck Slab Repair (Partial)
Areas of deck repair are estimated. Actual locations shall be shown by the Engineer for As Built Plans.

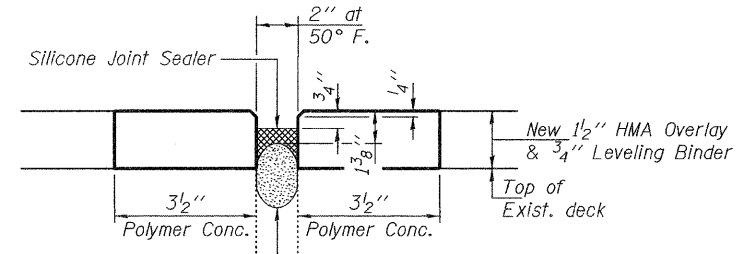


SECTION THRU JOINT AT SOUTH ABUTMENT

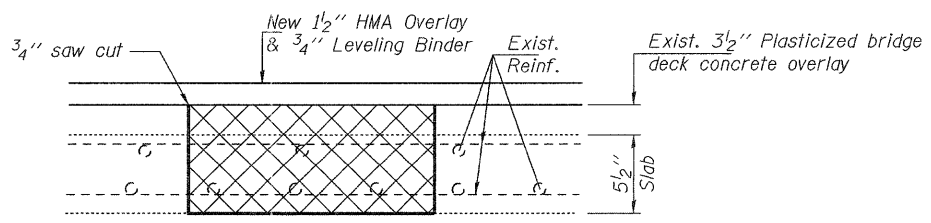
* Furnish in segments of 20 ft. maximum length. Maximum space between installed segments shall be 3/6". Seal space with Silicone Sealant suitable for Structural Steel. After fabrication, all surfaces of the steel R shall be given one shop coat of paint specified for structural steel. No field painting required. Cost included with HMA overlay.



TYPICAL END OF SEAL TREATMENT



SECTION THRU JOINT AT NORTH ABUTMENT



TYPICAL DECK REPAIR DETAIL

Cross hatched areas indicate Deck Slab Repair (Full Depth, Type II)

BILL OF MATERIAL

Item	Unit	Quantity
Deck Slab Repair (Partial)	Sq. Yd.	163
Deck Slab Repair (Full Depth, Type I)	Sq. Yd.	125
Polymerized Hot-Mix Asphalt Surface Course, Mix "D", N90	Ton	76
Silicone Joint Sealer, 1 3/4"	Foot	36
Silicone Joint Sealer, 2"	Foot	36
Polymer Concrete	Cu. Ft.	4.0
Polymerized Leveling Binder (Machine Method), N50	Ton	38