

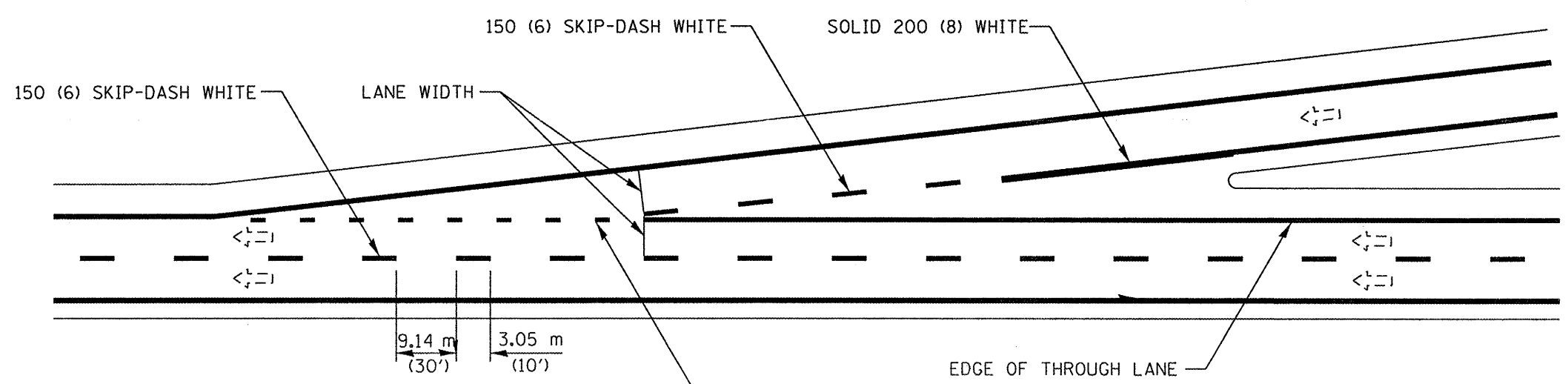
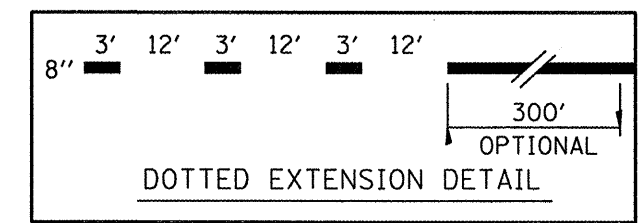
**PAINTED MEDIAN ISLANDS, GORE MARKINGS
AND
CHANNELIZING LINES**

SOLID 200 (8) WHITE

SKIP-DASH 200 (8) WHITE
DOTTED LINE 2'-4' RATIO

All dimensions are in millimeters
(inches) unless otherwise noted.

TAPERED ACCELERATION LANE



ENTRANCE RAMP MARKINGS

DOTTED EXTENSION
See Detail

FILE NAME = general.dgn	USER NAME = AdodeSA	DESIGNED -	REVISED -	STATE OF ILLINOIS DEPARTMENT OF TRANSPORTATION	PAVEMENT MARKING DETAIL	F.A.P. RTE. 318	SECTION (72-7RS-1)	COUNTY PEORIA	TOTAL SHEETS 32	SHEET NO. 28		
	PLOT SCALE = 400.0001' / in.	CHECKED -	REVISED -			SCALE:	SHEET NO. OF SHEETS	STA.	TO STA.	CONTRACT NO. 68673		
	PLOT DATE = 5/11/2011	DATE -	REVISED -			ILLINOIS FED. AID PROJECT						