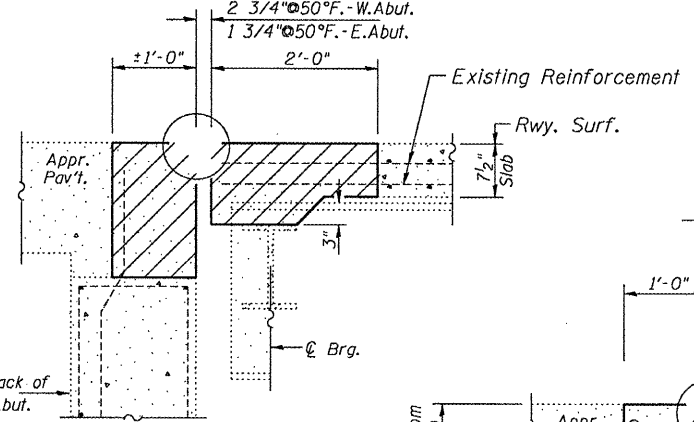
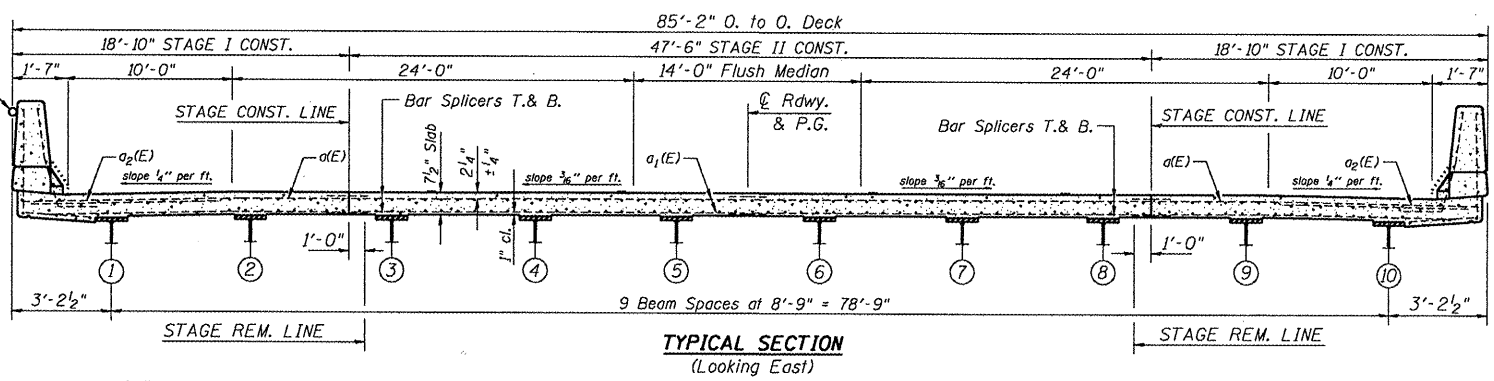


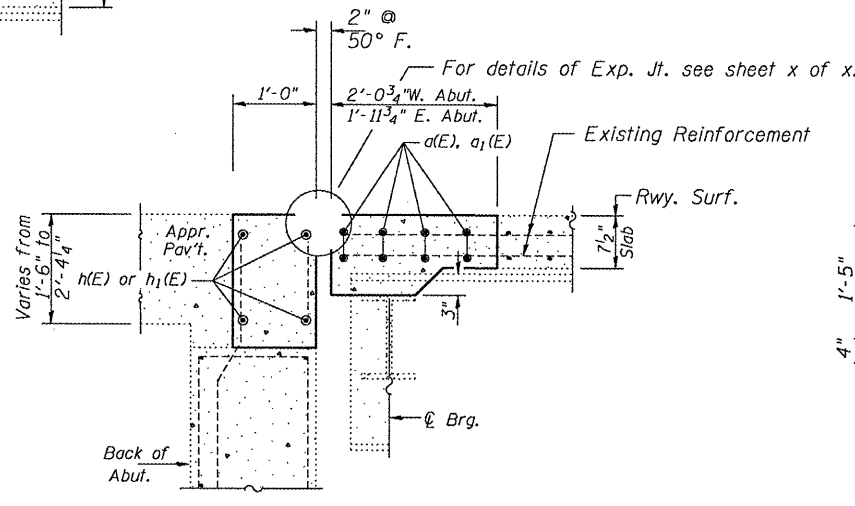
S:\GEN\DRAW\STD&PLNS\SOUAD BRIDGES\BRIDGE CONTRACTS\JOINTS\68685 SN072-0154 US150 ovr CNRR.dgn

2" conduit to be temporarily detached for concrete parapet removal and replacement. Conduit shall be remounted as found after completion of parapet concrete rework. Cost included with Concrete Removal.

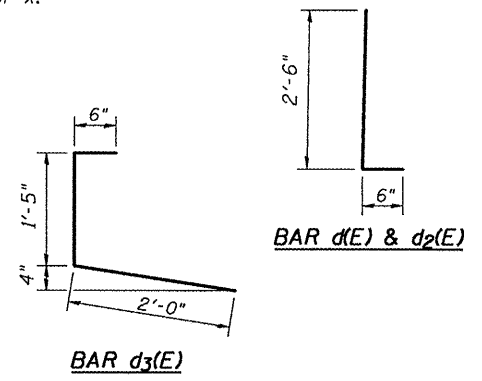
NW. approach slab curb to be removed and replaced. Detail shown on page x of x. Cost included in Concrete Removal and Concrete Superstructure.



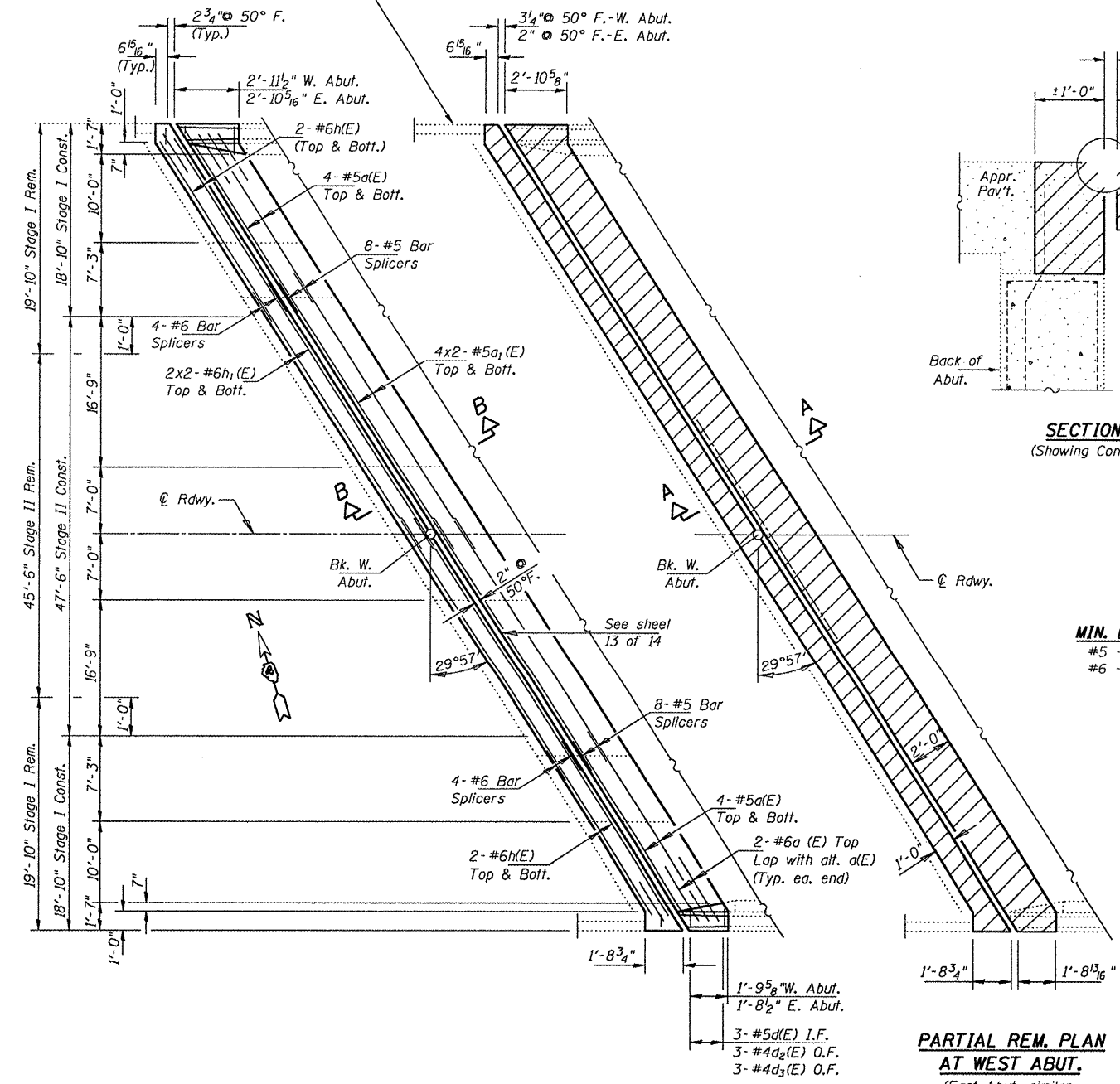
SECTION A-A
(Showing Conc. Rem.)



SECTION B-B
(Showing Conc. Repl.)

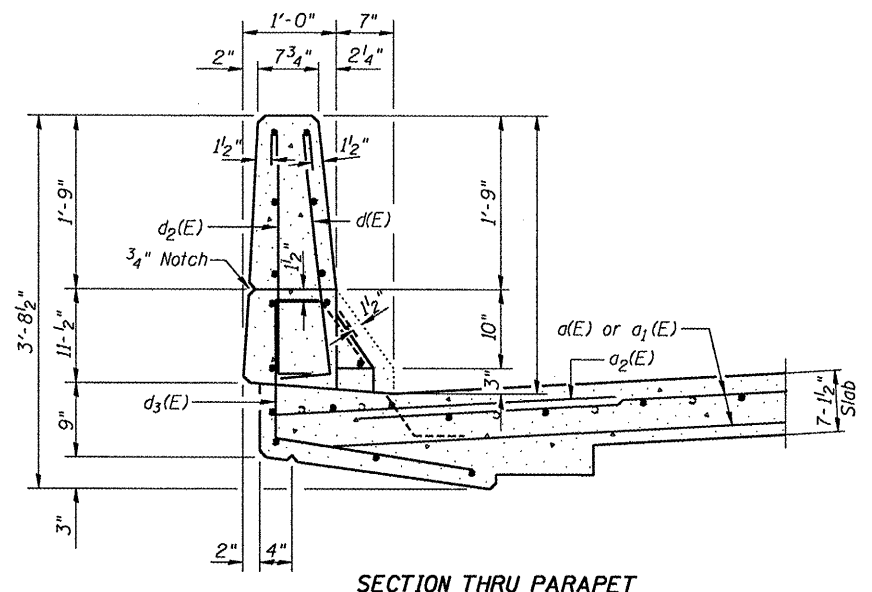


MIN. BAR LAP
#5 - 2'-11"
#6 - 3'-1"



PARTIAL REPL. PLAN AT WEST ABUT.
(East Abut. similar thru 180° rotation)

PARTIAL REM. PLAN AT WEST ABUT.
(East Abut. similar thru 180° rotation)



SECTION THRU PARAPET

BILL OF MATERIAL

Bar	No.	Size	Length	Shape
d(E)	32	#5	21'-2"	—
a1(E)	32	#5	28'-10"	—
a2(E)	8	#6	4'-6"	—
d(E)	10	#5	3'-0"	┌
d2(E)	12	#4	3'-0"	┌
d3(E)	12	#4	3'-11"	┌
h(E)	16	#6	21'-5"	—
h1(E)	16	#6	28'-11"	—
Bar Splicers		Each	48	
Concrete Removal		Cu. Yd.	29.5	
Concrete Superstructure		Cu. Yd.	29.5	
Reinforcement Bars, Epoxy Coated		Pound	3020	

Bars indicated thus: 2x2-#6 etc. indicates 2 lines of bars with 2 lengths per line.

FILE NAME =	USER NAME = #USER#	DESIGNED - CEJ	REVISED -
#FILE#		DRAWN - CEJ	REVISED -
	PLOT SCALE = #SCALE#	CHECKED -	REVISED -
	PLOT DATE = #DATE#	DATE - 03-03-2011	REVISED -

STATE OF ILLINOIS
DEPARTMENT OF TRANSPORTATION

REPAIR DETAILS		F.A.P. RTE.	SECTION	COUNTY	TOTAL SHEETS	SHEET NO.
STRUCTURE NO. 072-0154		317	[(16VB)BRJ]	PEORIA	14	11
SCALE: _____		SHEET NO. 2 OF 5 SHEETS		STA. _____ TO STA. _____	JOINT REPLACEMENT W/STRIP SEALS	
				CONTRACT NO. 68685		
		ILLINOIS FED. AID PROJECT				