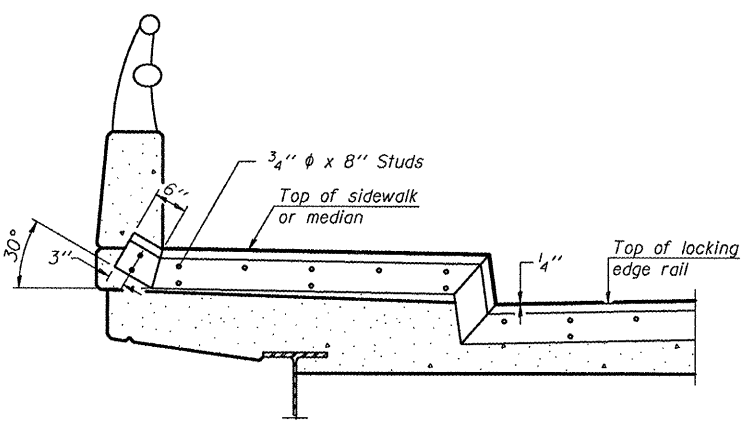
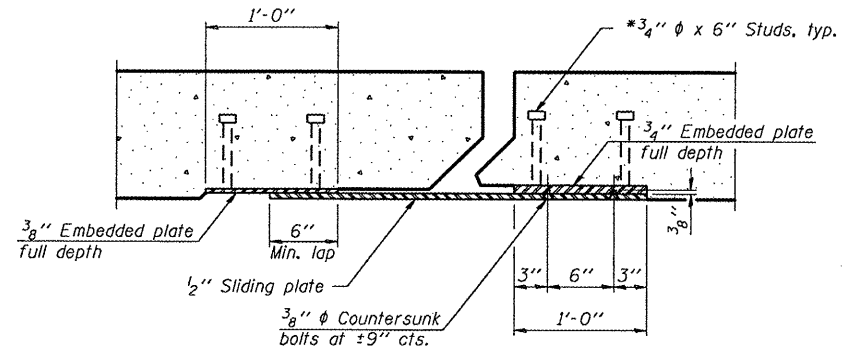
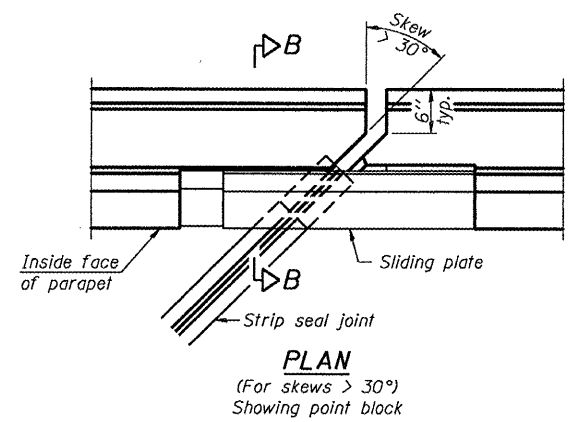
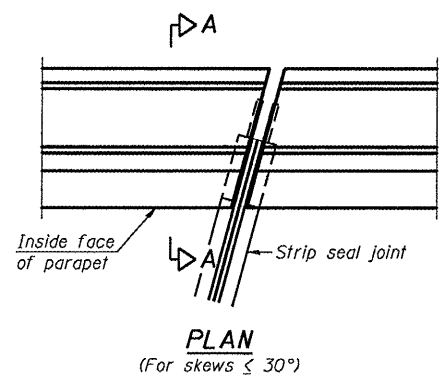
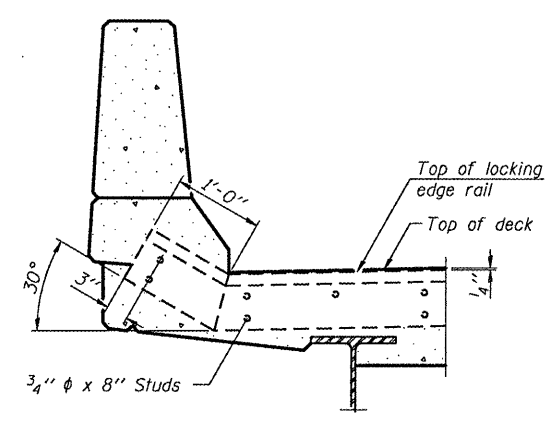


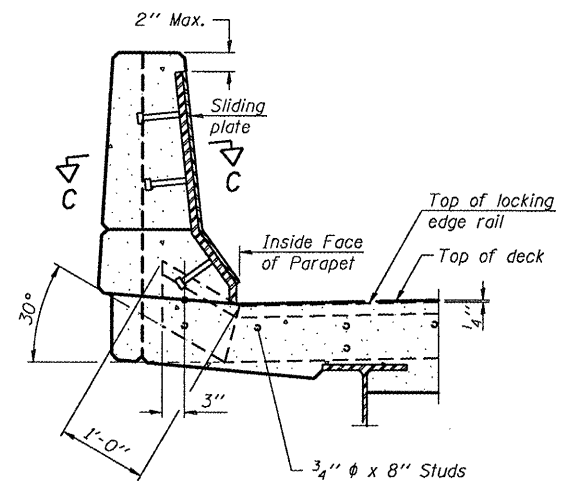
S:\GEN\DRAW\STD&PLNS\SOIAD BRIDGES\BRIDGE CONTRACTS\JOINTS\68685 SNO72-0154 US150 ovr CNRR.dgn



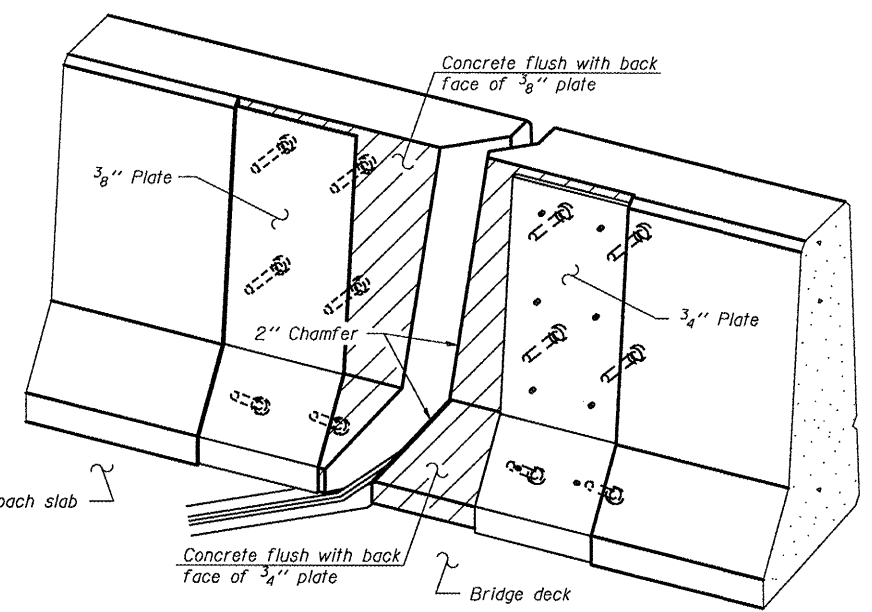
**TYPICAL END TREATMENT AT SIDEWALK OR MEDIAN**  
Shorter plates with a single row of studs at 12" cts. may be necessary on medians which are shallower than 9". See manufacturer's recommendation.



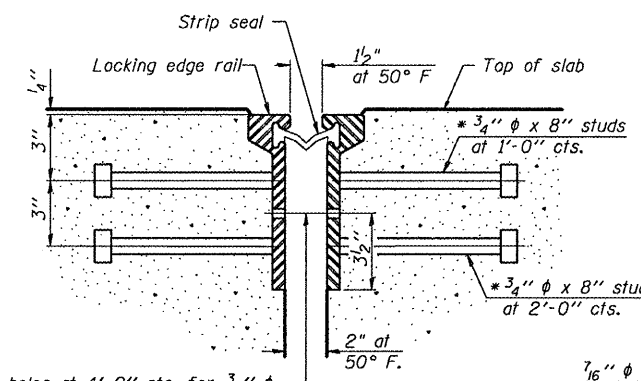
**SECTION A-A**



**SECTION B-B**

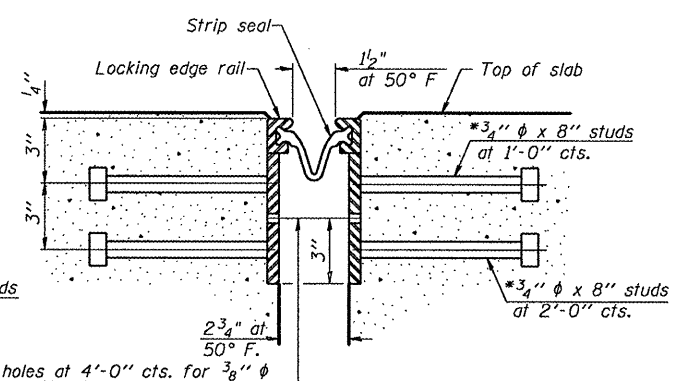


**TRIMETRIC VIEW (Showing back plates only)**



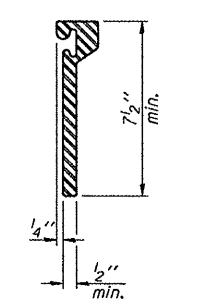
**SECTION THRU ROLLED RAIL JOINT**

7/16" phi holes at 4'-0" cts. for 3/8" phi bolts. All bolts shall be burned, sawed, or chipped off flush with the plates after forms are removed, typ.

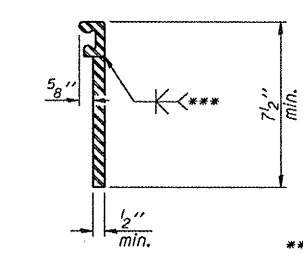


**SECTION THRU WELDED RAIL JOINT**

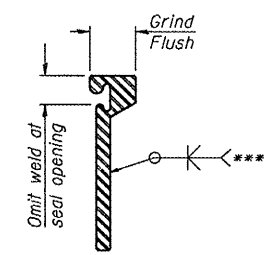
\* Granular or solid flux filled headed studs conforming to Article 1006.32 of the Std. Specs., automatically end welded.



**ROLLED EXTRUDED RAIL**



**WELDED RAIL**



**LOCKING EDGE RAIL SPLICE**

\*\*\* Back gouge not required if complete joint penetration is verified by mock-up.

The inside of the locking edge rail groove shall be free of weld residue.  
Rolled rail shown, welded rail similar.

**LOCKING EDGE RAILS**

**BILL OF MATERIAL**

Item	Unit	Total
Preformed Joint Strip Seal	Foot	194

FILE NAME =	USER NAME = #USER#	DESIGNED -	REVISED -
#FILE#		DRAWN -	REVISED -
	PLOT SCALE = #SCALE#	CHECKED -	REVISED -
	PLOT DATE = #DATE#	DATE -	REVISED -

**STATE OF ILLINOIS  
DEPARTMENT OF TRANSPORTATION**

**PREFORMED JOINT STRIP SEAL  
STRUCTURE NO. 072-0154**

F.A.P. RTE.	SECTION	COUNTY	TOTAL SHEETS	SHEET NO.
317	[(16VB)BRJ]	PEORIA	14	13
JOINT REPLACEMENT W/STRIP SEALS			CONTRACT NO. 68685	
ILLINOIS FED. AID PROJECT				

SCALE: SHEET NO. 4 OF 5 SHEETS STA. TO STA.

EJ-SSJ

7-1-10