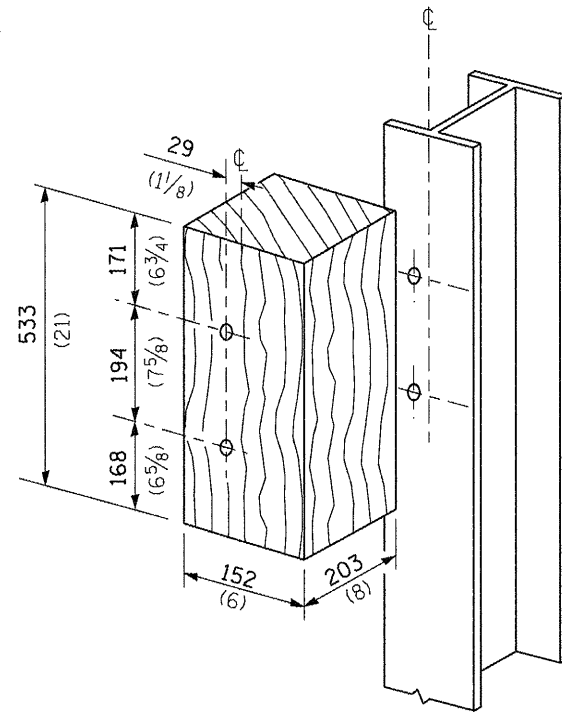
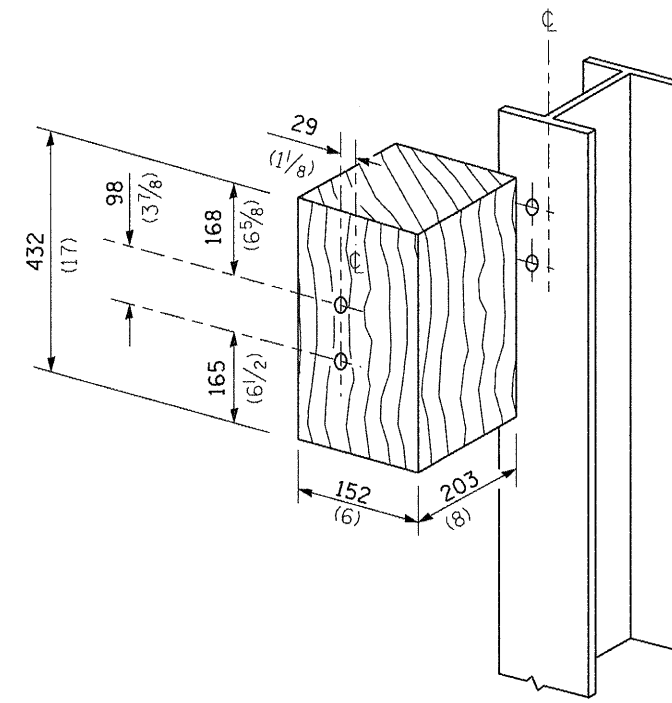


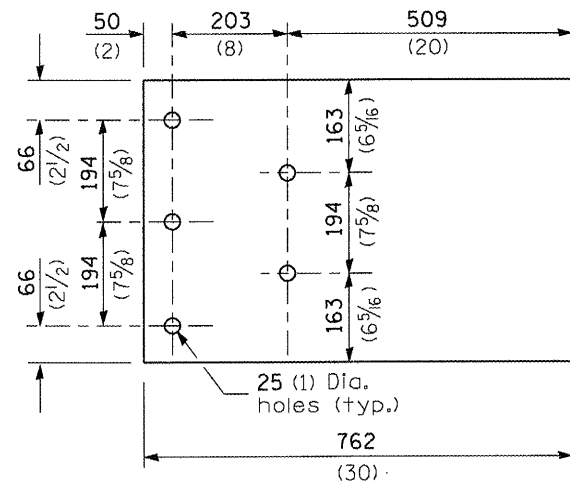
THRIE BEAM END SHOE DETAIL



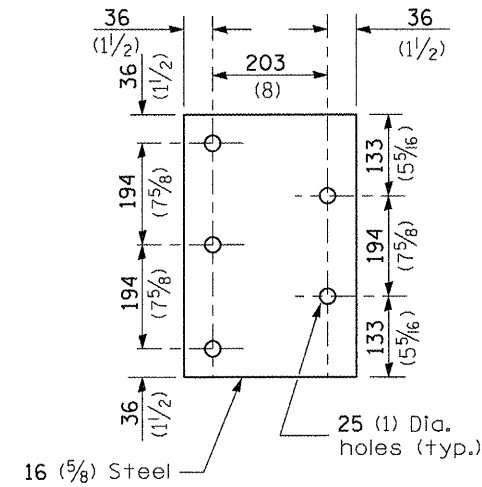
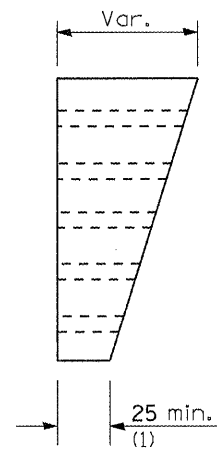
POSTS 1-11 WOOD BLOCKOUT DETAIL



POST 12 WOOD BLOCKOUT DETAIL



PARAPET WOOD BLOCK-OUT DETAIL



PARAPET STEEL BEARING PLATE DETAIL

(5 each individual 125x125x16 (5x5x5/8) steel plates with centered 25 (1) holes may be substituted for the plate shown.)

FILE NAME =	USER NAME = Sparksg	DESIGNED -	REVISED -	STATE OF ILLINOIS DEPARTMENT OF TRANSPORTATION	PRE-MGS HIGHWAY STANDARD 631031-05 TRAFFIC BARRIER TERMINAL, TYPE 6 EFFECTIVE 4-1-06	F.A. RTE.	SECTION	COUNTY	TOTAL SHEETS	SHEET NO.
c:\pwork\pwork\sparksg\d026229\0672E39-ahs-207-631031-05-TraBarTermType6.dgn	PLOT SCALE = 0:26,000 ms / in.	DRAWN -	REVISED -			VAR		VAR	18	17
	PLOT DATE = Apr-01-2011 09:44:15AM	CHECKED -	REVISED -			(SHEET 3 OF 3)			CONTRACT NO. 72E39	
						SCALE:	SHEET NO. OF SHEETS	STA.	TO STA.	ILLINOIS FED. AID PROJECT