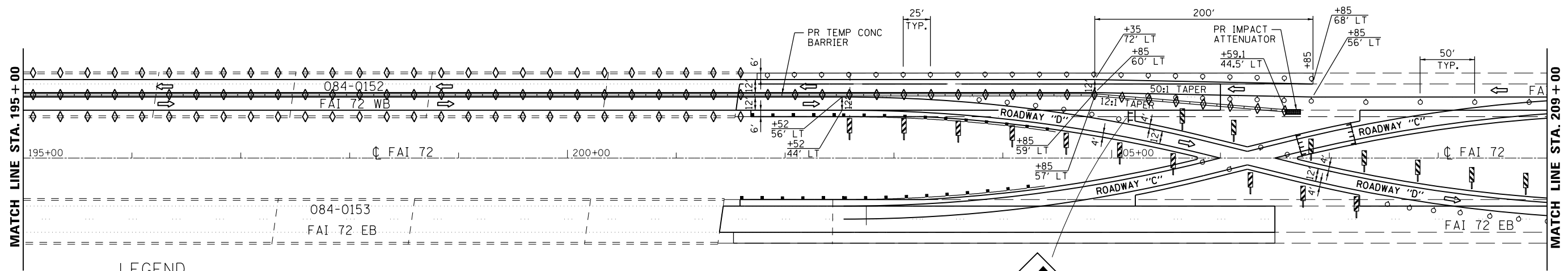
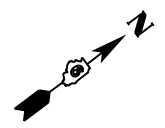
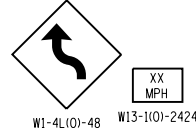
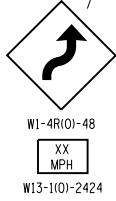


FOR INFORMATION ONLY
(BY OTHERS)



FOR INFORMATION ONLY
(BY OTHERS)

- LEGEND**
- TRAFFIC FLOW ARROW
 - TYPE III BARRICADE
 - IMPACT ATTENUATOR
 - BARREL W/STEADY BURNING LIGHT
 - POST MOUNTED SIGN
 - BARRIER WALL MARKER
 - TEMPORARY CONCRETE BARRIER
 - VERTICAL SIGN PANEL



USER NAME = sparksgw	DESIGNED -	REVISED -
	DRAWN - BDM	REVISED -
PLOT SCALE = 100.0000' / in.	CHECKED - JSA	REVISED -
PLOT DATE = Jun-08-2011 09:44:31AM	DATE - 7/15/09	REVISED -

**STATE OF ILLINOIS
DEPARTMENT OF TRANSPORTATION**

MAINTENANCE OF TRAFFIC PLAN STAGE I				
SCALE:	SHEET NO.	OF SHEETS	STA.	TO STA.

F.A.I. RTE.	SECTION	COUNTY	TOTAL SHEETS	SHEET NO.
I-72	(84-10-11)-7	SANGAMON	41	26
CONTRACT NO. 72E51				
ILLINOIS FED. AID PROJECT				