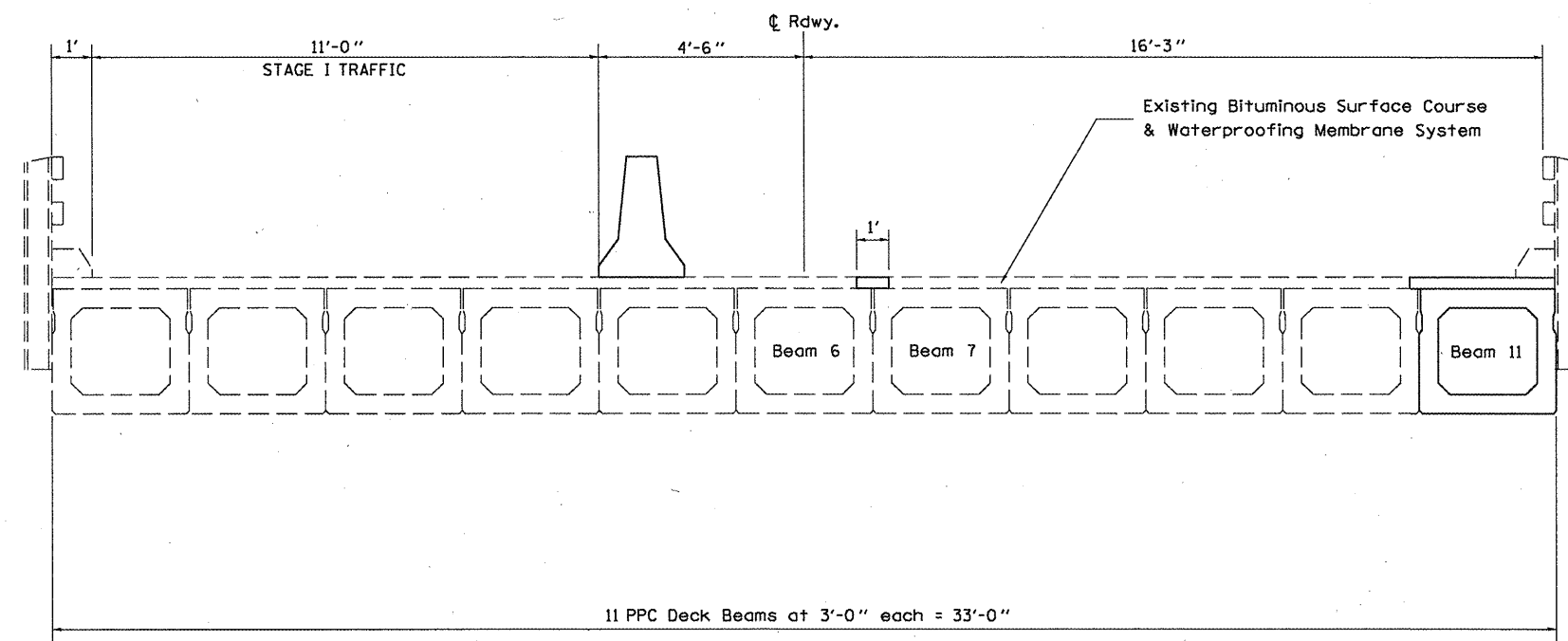


STAGE I TYPICAL
 LOOKING SOUTH
 SPAN 1

NOT TO SCALE



STAGE I TYPICAL
 LOOKING SOUTH
 SPAN 2

NOT TO SCALE

FILE NAME =	USER NAME = swartzw	DESIGNED -	REVISED -
c:\pwwork\pwwork\swartzw\08268696\077	523-shc-typicals.dgn	DRAWN -	REVISED -
	PLOT SCALE = 100.0000' / in.	CHECKED -	REVISED -
	PLOT DATE = 5/24/2011	DATE -	REVISED -

STATE OF ILLINOIS
DEPARTMENT OF TRANSPORTATION

STAGING TYPICAL		
SCALE: NA	SHEET NO. 1 OF 1 SHEETS	STA. TO STA.

F.A.P. RTE.	SECTION	COUNTY	TOTAL SHEETS	SHEET NO.
781	D7 BEAM REPAIR 2012-1	CRAWFORD	10	4
CONTRACT NO. 74523				
ILLINOIS FED. AID PROJECT				