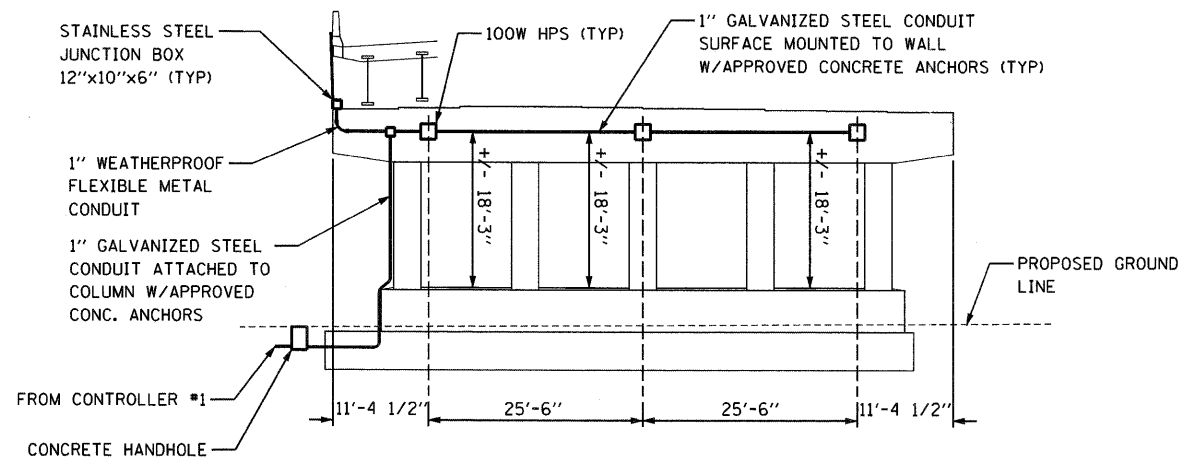
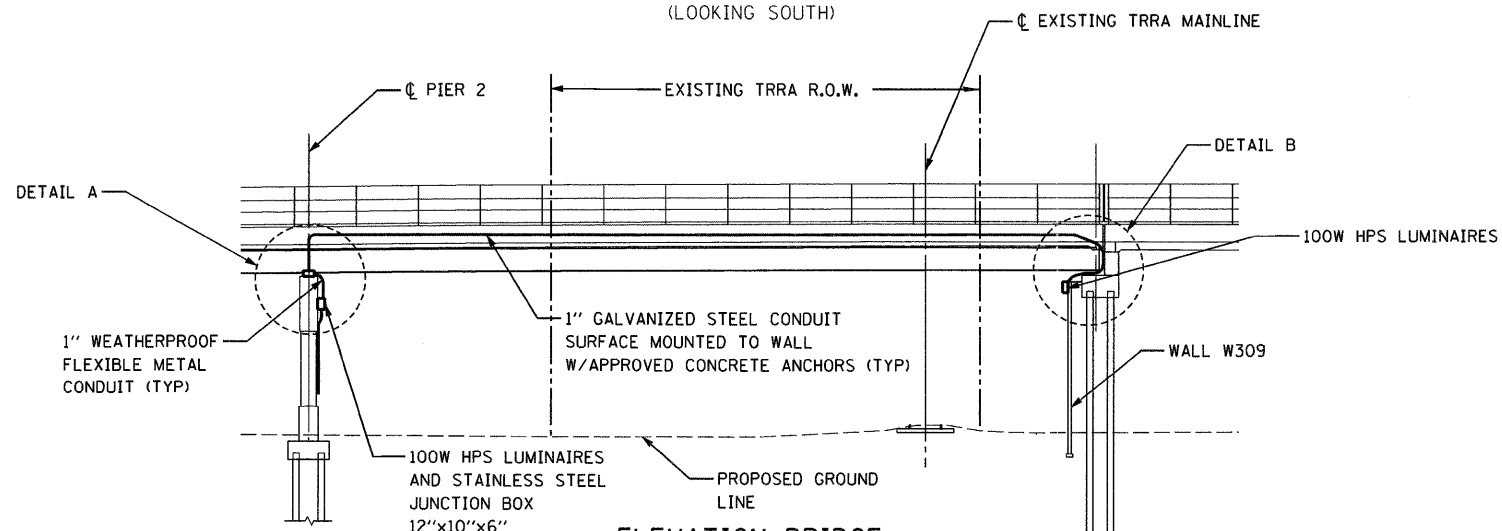


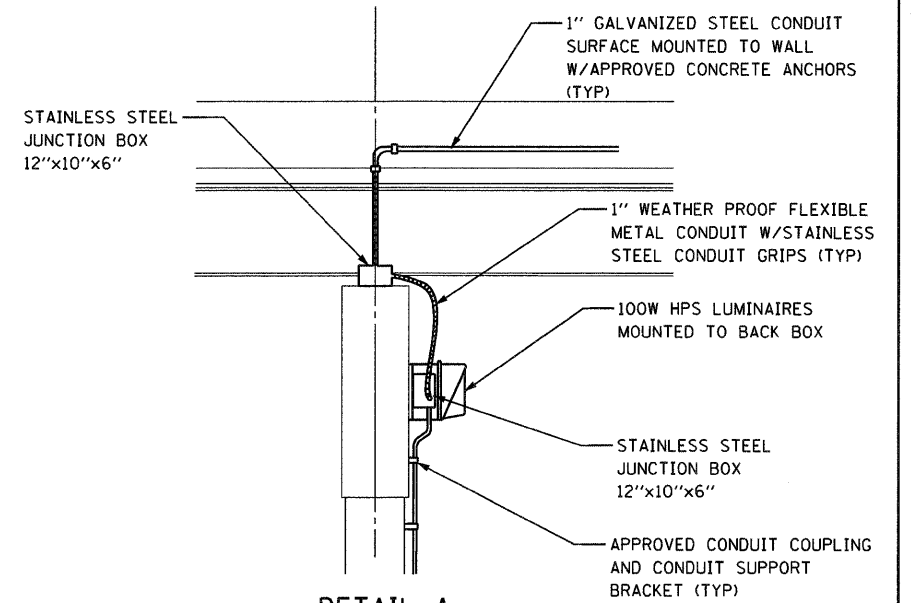
ELEVATION MSE WALL
(LOOKING NORTH)



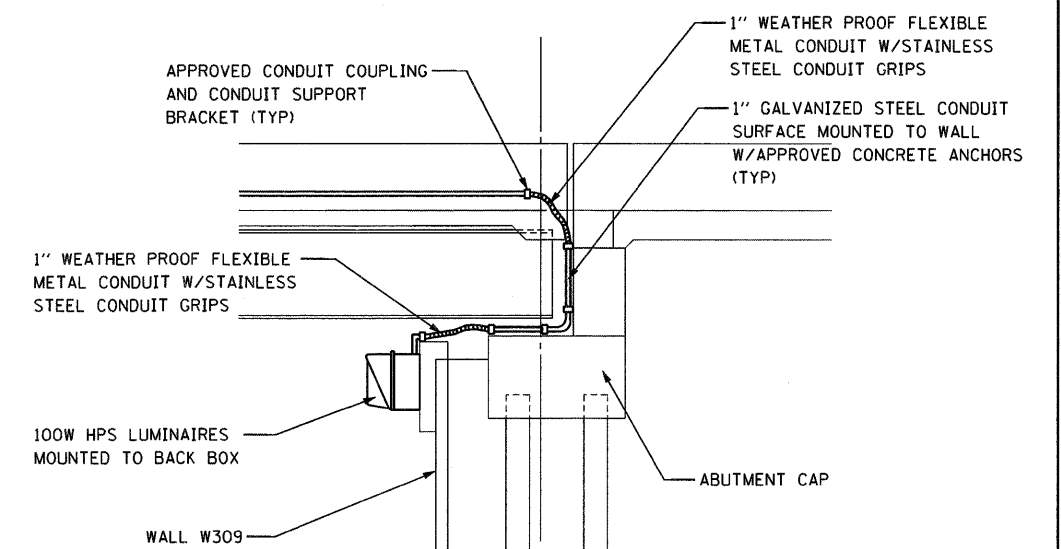
ELEVATION PIER 2
(LOOKING SOUTH)



ELEVATION BRIDGE
(LOOKING WEST)



DETAIL A
(CONDUIT DETAIL AT PIER 2)



DETAIL B
(CONDUIT DETAIL AT MSE WALL)

FILE NAME = #FILE#	USER NAME = #USER#	DESIGNED - FSM	REVISED -	STATE OF ILLINOIS DEPARTMENT OF TRANSPORTATION RELOCATED ILLINOIS ROUTE 3	LIGHTING DETAILS	SCALE:	SHEET NO. 1 OF 2 SHEETS	STA. TO STA.	F.A.P. RTE. 998	SECTION 82-2-IHV8-1	COUNTY ST. CLAIR	TOTAL SHEETS 345	SHEET NO. 117
	PLOT SCALE = #SCALE#	CHECKED - AAB	REVISED -						CONTRACT NO. 76D05				
ABNA ENGINEERING INC. PROFESSIONAL ENGINEERS EAST ST. LOUIS, ILLINOIS	ABNA engineering	DATE - 5/13/11	REVISED -			FED. ROAD DIST. NO. ILLINOIS FED. AID PROJECT							