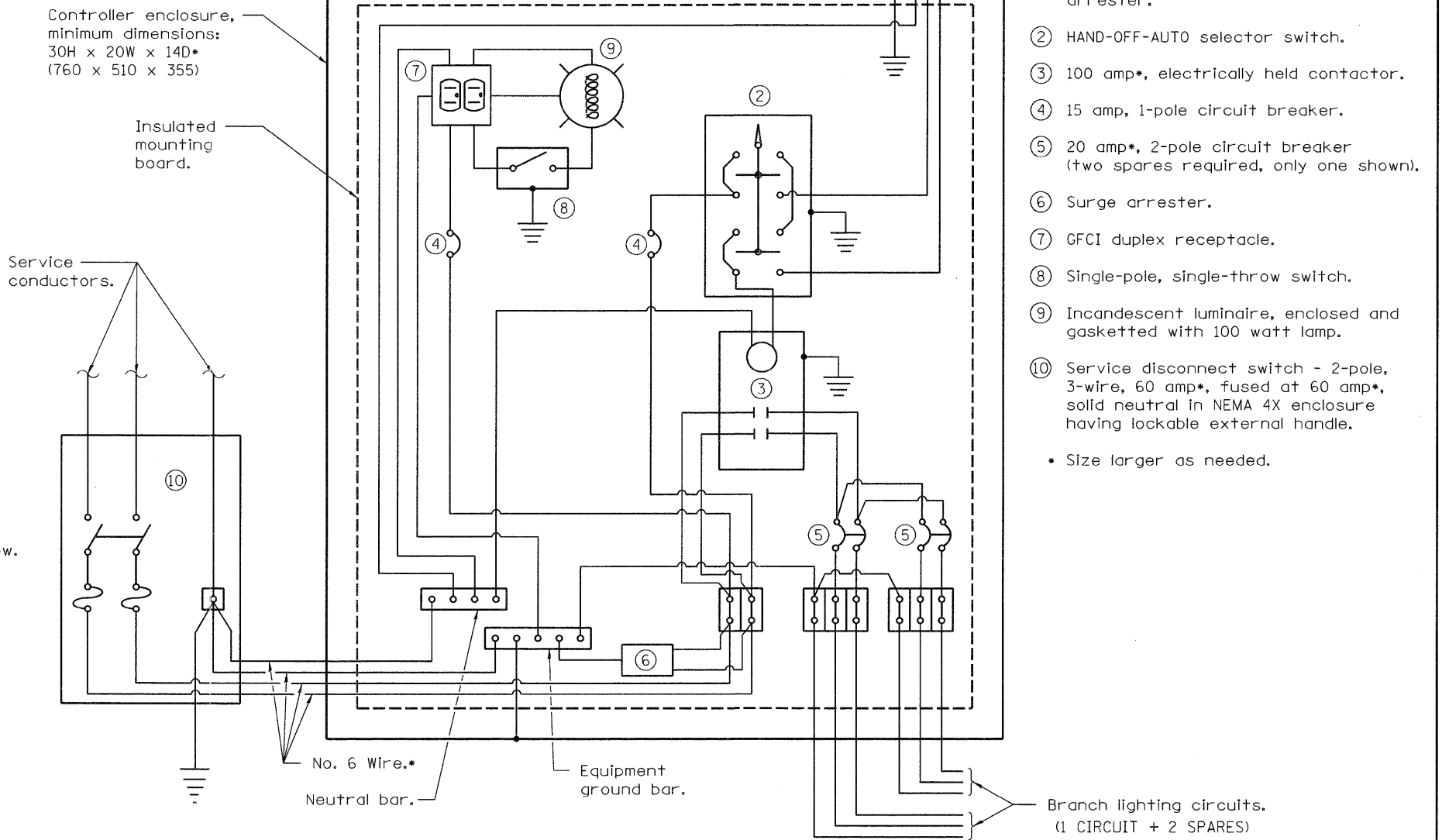


120/240 V ELECTRIC SERVICE INSTALLATION #1

* Size larger as needed.
 ** Or as directed by Utility Company.



CONTROL SCHEMATIC

CONTROLLER #1

- ① Photocell with integral surge arrester.
 - ② HAND-OFF-AUTO selector switch.
 - ③ 100 amp*, electrically held contactor.
 - ④ 15 amp, 1-pole circuit breaker.
 - ⑤ 20 amp*, 2-pole circuit breaker (two spares required, only one shown).
 - ⑥ Surge arrester.
 - ⑦ GFCI duplex receptacle.
 - ⑧ Single-pole, single-throw switch.
 - ⑨ Incandescent luminaire, enclosed and gasketed with 100 watt lamp.
 - ⑩ Service disconnect switch - 2-pole, 3-wire, 60 amp*, fused at 60 amp*, solid neutral in NEMA 4X enclosure having lockable external handle.
- * Size larger as needed.

 FILE NAME =
 #FILE#

 ABNA ENGINEERING INC.
 PROFESSIONAL ENGINEERS
 EAST ST. LOUIS, ILLINOIS

FILE NAME =	USER NAME = #USER#	DESIGNED - FSM	REVISED -	STATE OF ILLINOIS DEPARTMENT OF TRANSPORTATION RELOCATED ILLINOIS ROUTE 3	CONTROL INSTALLATION		F.A.P. RTE.	SECTION	COUNTY	TOTAL SHEETS	SHEET NO.	
#FILE#		DRAWN - MNR	REVISED -		SCALE:	SHEET NO. 1 OF 2 SHEETS	STA.	998	82-2-IHVB-1	ST. CLAIR	345	119
		CHECKED - AAB	REVISED -		DATE	5/13/11	TO STA.	CONTRACT NO. 76D05				
		DATE - 5/13/11	REVISED -		FED. ROAD DIST. NO. ILLINOIS FED. AID PROJECT							