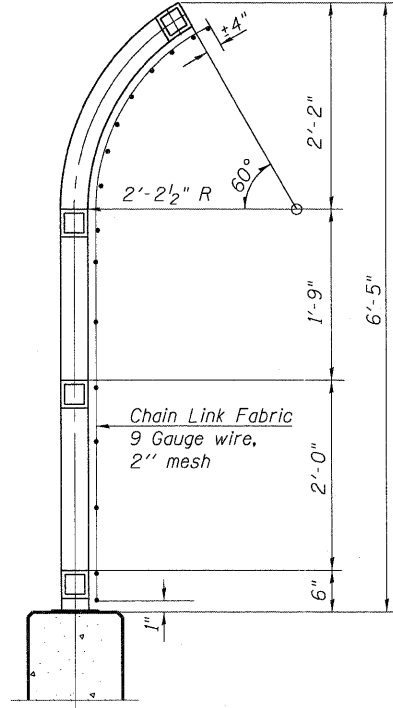
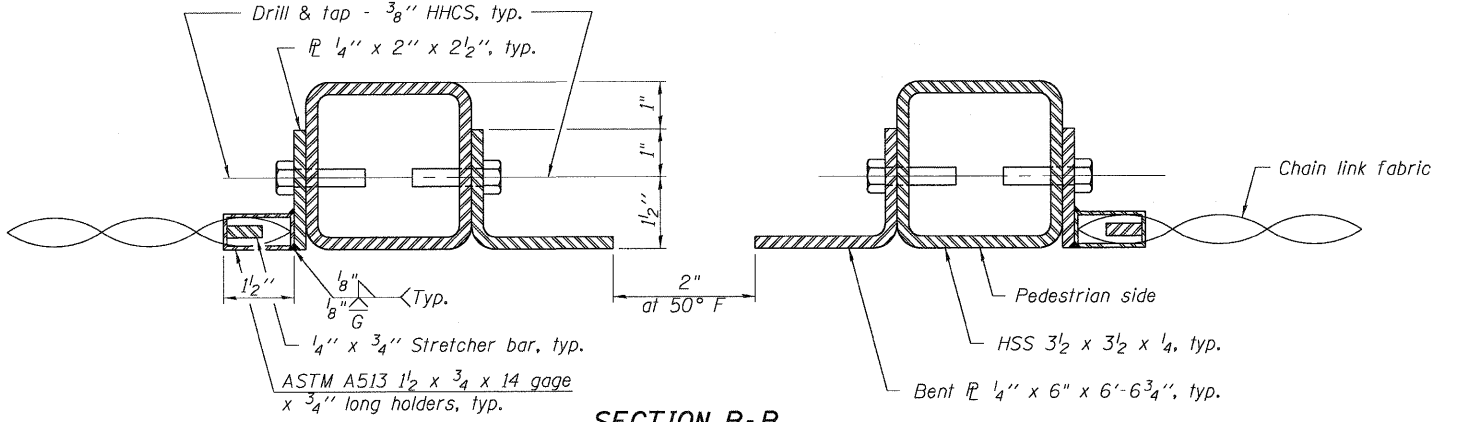


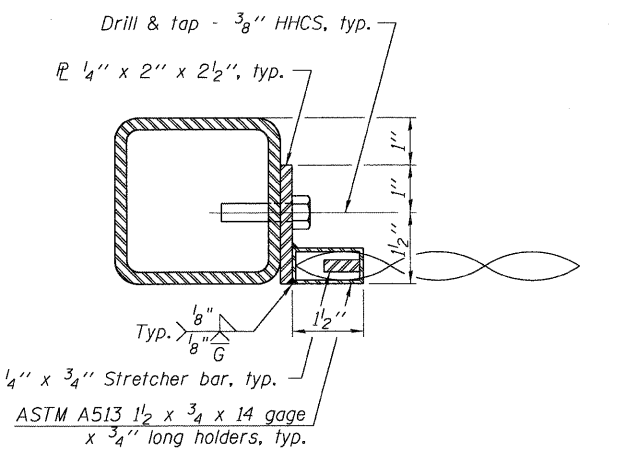
**ELEVATION**  
(Inside Face)



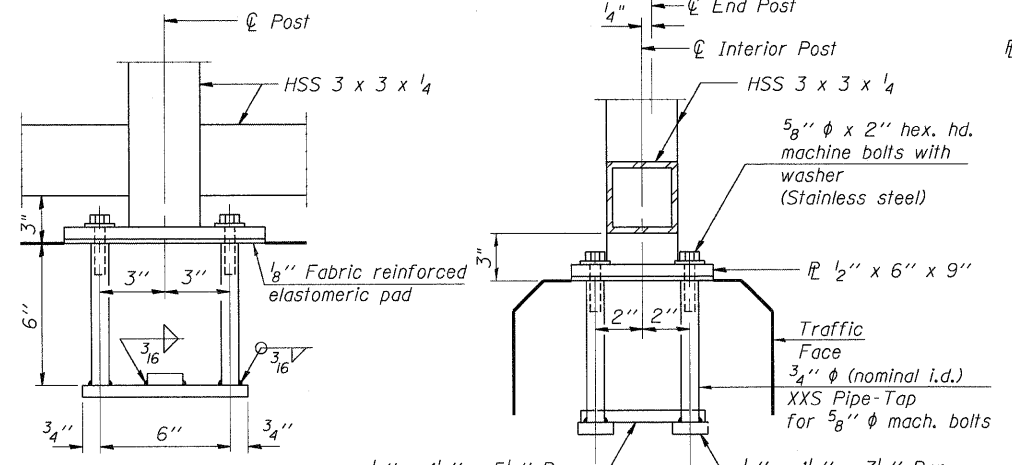
**SECTION A-A**



**SECTION B-B**  
(At Expansion Joint)

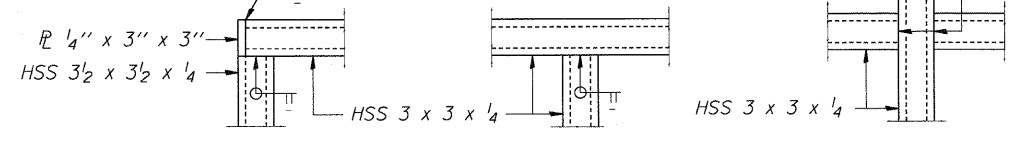


**SECTION E-E**

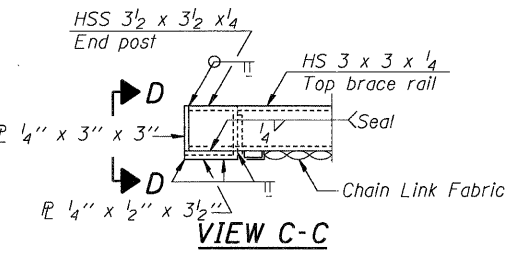


**ANCHOR BOLT DETAILS**

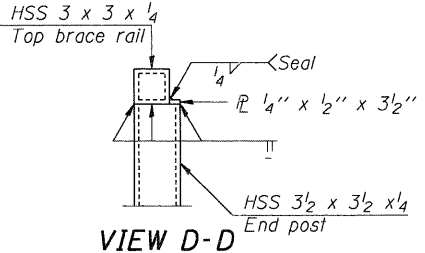
In lieu of the cast-in-place anchor device shown, the Contractor has the option of drilling and setting 5/8"  $\phi$  anchor rods according to Article 509.06 of the Standard Specifications. Embedment shall be according to the manufacturer's specifications.



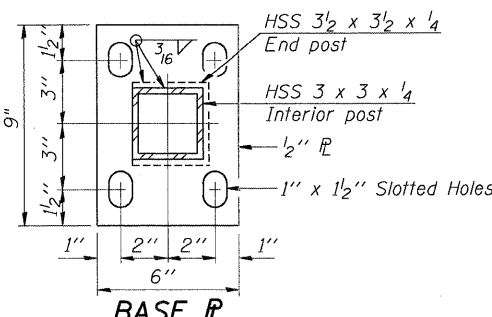
**DETAIL A**      **DETAIL B**      **DETAIL C**



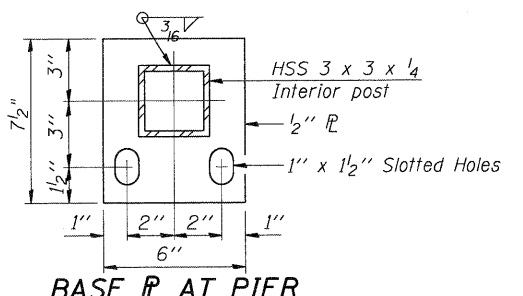
**VIEW C-C**



**VIEW D-D**



**BASE P**



**BASE P AT PIER**

**NOTE:**  
All post, railing, splices, anchor devices and plates shall be painted using the DuPont Imron 2.1 HG High Gloss Polyurethane (Includes Mix Quality "VF") or approved equal. The color of the final finish coat shall be Black.

**BILL OF MATERIAL**

Item	Unit	Quantity
Bridge Fence Railing	Foot	397

FILE NAME = USER NAME = #USER# DESIGNED - TCG REVISIONS - DATE  
 #FILE# DRAWN - JLR CHECKED - JLR DATE 05/13/11  
 PLOT SCALE = #SCALE# PLOT DATE = #DATE#  
**TENG** TENG & ASSOCIATES, INC. ENGINEERS/ARCHITECTS/PLANNERS CHICAGO, ILLINOIS

STATE OF ILLINOIS  
DEPARTMENT OF TRANSPORTATION  
IL 3 OVER 1-70

BRIDGE FENCE RAILING DETAILS  
1 OF 2

SCALE: SHEET NO. SA-34 OF SA-57 STA. 1683+43.17 TO STA.

F.A.P. RTE.	SECTION	COUNTY	TOTAL SHEETS	SHEET NO.
998	82-2-1HVB-1	ST. CLAIR	345	169
SN 082-0328		CONTRACT NO. 76D05		
FED. ROAD DIST. NO.		ILLINOIS FED. AID PROJECT		