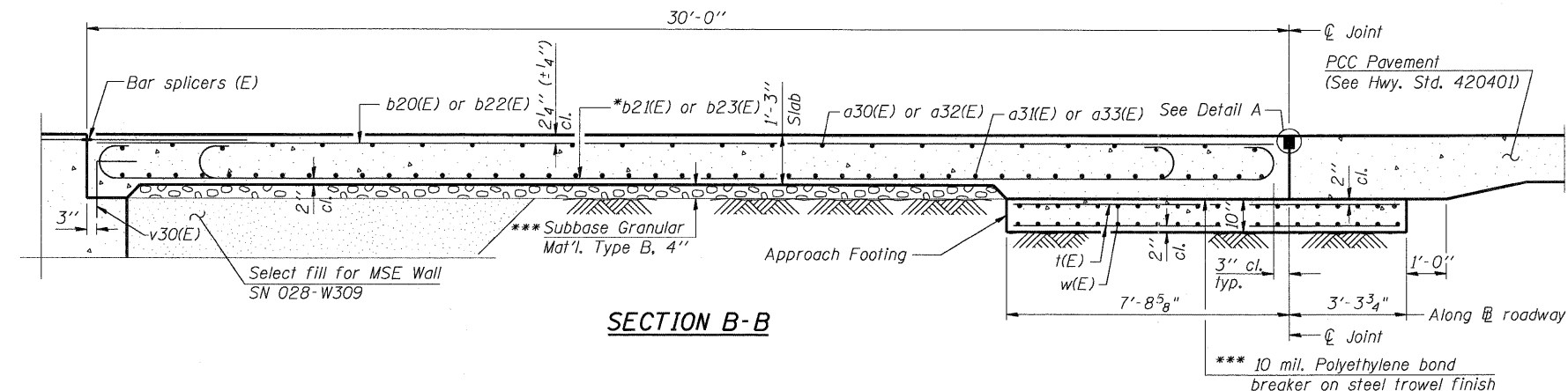


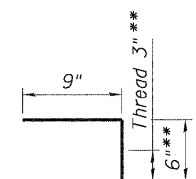
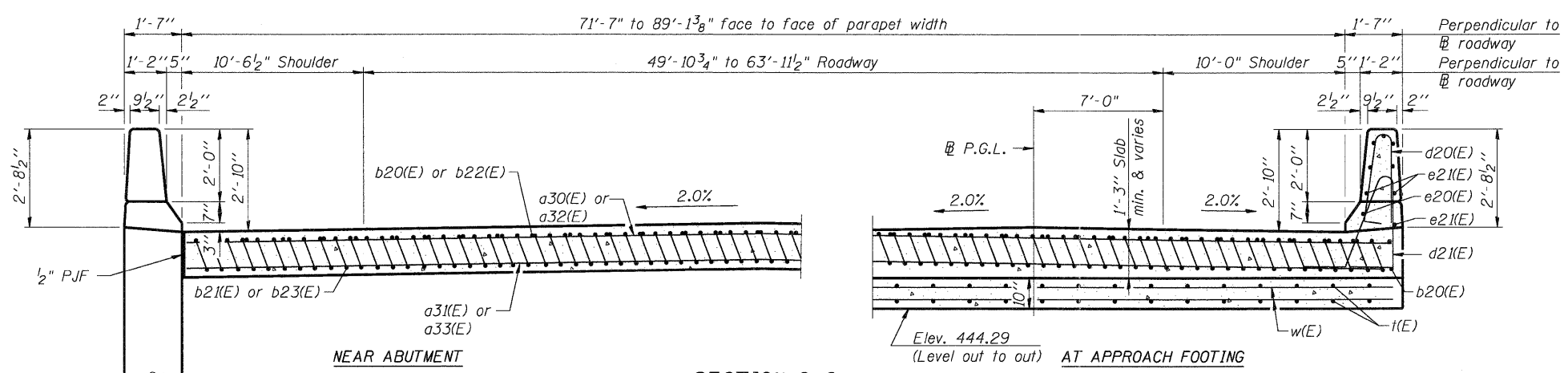
BILL OF MATERIAL

Bar	No.	Size	Length	Shape
a30(E)	75	#4	28'-7"	—
a31(E)	138	#5	28'-9"	—
a32(E)*	12	#4	27'-1"	—
a33(E)*	22	#5	27'-1"	—
a34(E)	33	#5	15'-0"	—
a35(E)	62	#5	1'-3"	└
b20(E)	61	#4	29'-8"	—
b21(E)	177	#9	29'-9"	┌
b22(E)*	8	#4	30'-0"	—
b23(E)*	22	#9	30'-0"	—
b24(E)	2	#4	16'-4"	—
b25(E)	15	#5	31'-4"	—
d20(E)	66	#5	5'-7"	└
d21(E)	64	#5	7'-11"	└
e20(E)	1	#8	31'-4"	—
e21(E)	8	#4	31'-4"	—
e22(E)	2	#8	17'-1"	—
e23(E)	16	#4	15'-5"	—
f1(E)	176	#4	10'-8"	—
f2(E)*	6	#4	12'-9"	—
w(E)	120	#4	36'-0"	—
Protective Coat		Sq. Yd.	303	
Concrete Superstructure		Cu. Yd.	131.8	
Concrete Structures		Cu. Yd.	29.6	
Reinforcement Bars, Epoxy Coated		Pound	34,650	

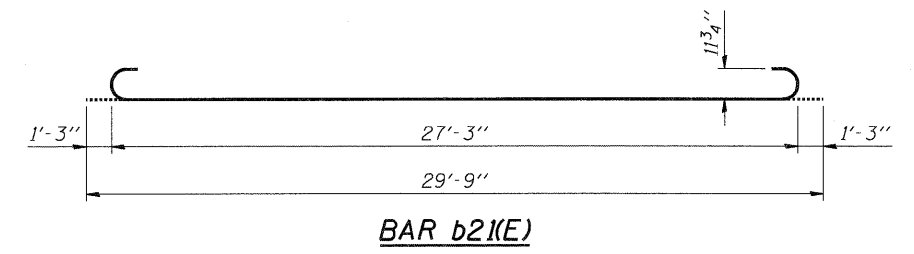
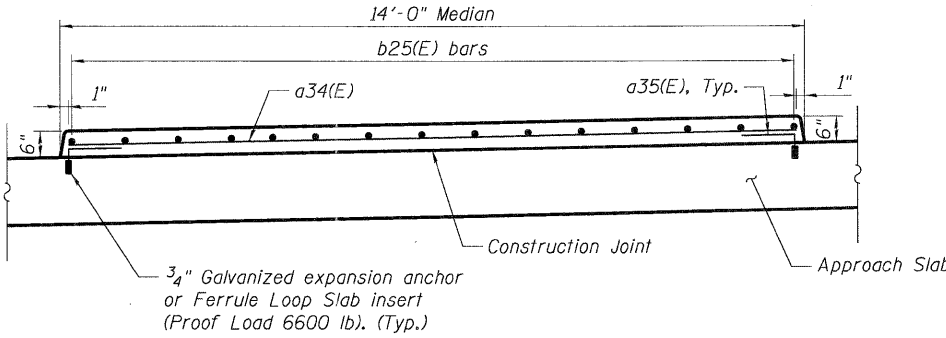
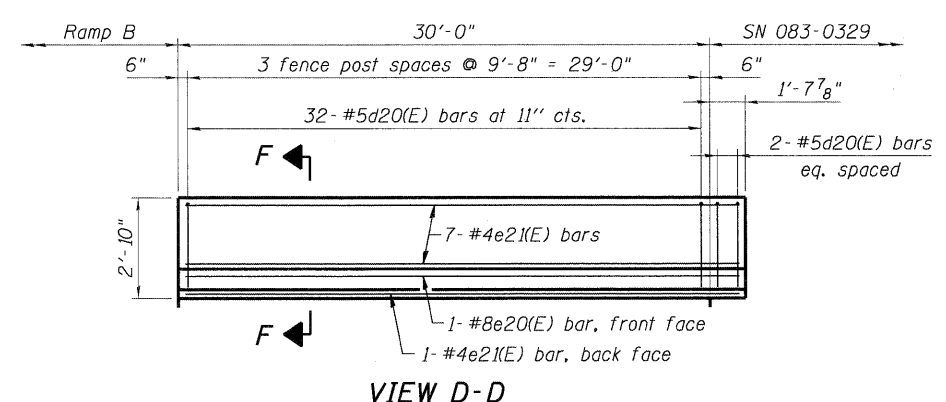
*Cut bars according to cutting diagram.



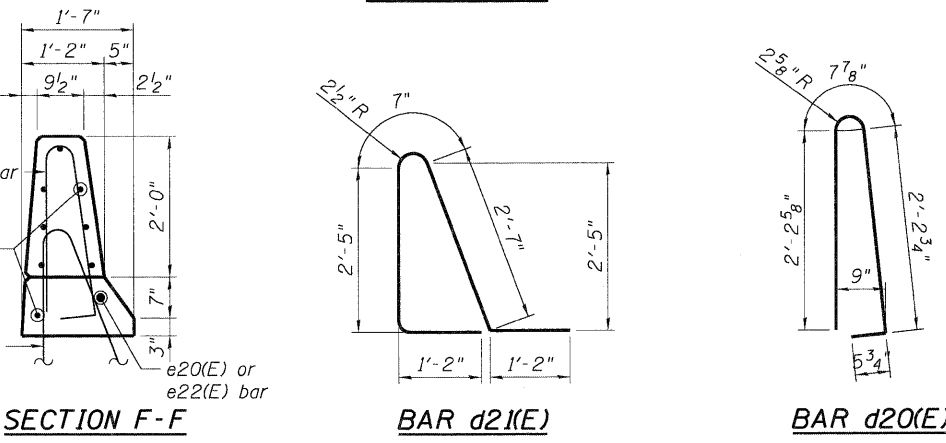
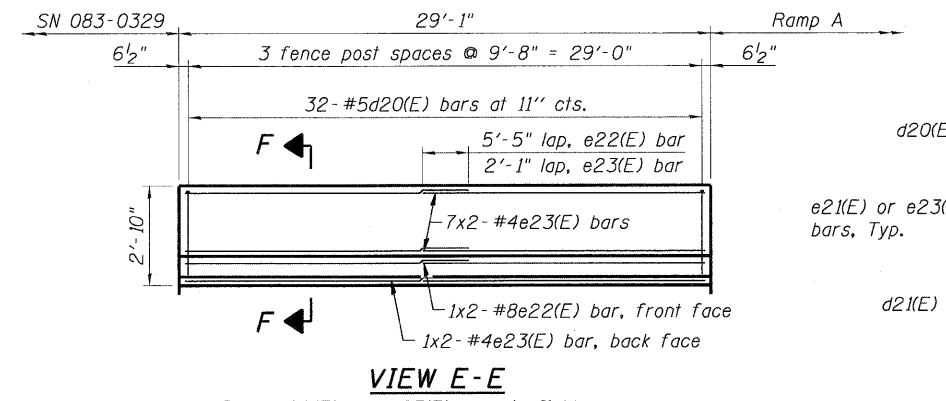
* Tilt #9b21(E) bars as required to maintain clearance.
 *** Cost included with Concrete Superstructure.



BAR a35(E)
 **Coordinate with selected type of Galvanized expansion anchor or Ferrule Loop Slab Insert.



BAR b21(E)



SECTION H-H

SECTION F-F

BAR d21(E)

BAR d20(E)

- NOTES:**
- See sheet SB-20 for Detail A and View F-F.
 - Approach slab and parapet concrete shall be paid for as Concrete Superstructure.
 - Approach footing concrete shall be paid for as Concrete Structures.
 - Reinforcement shall be paid for as Reinforcement Bars, Epoxy Coated.
 - For v30(E) bar details, see sheet SB-39.
 - The approach footing maximum applied service bearing pressure (Qmax) = 2.0 ksf.
 - For bar splicer details, see sheet SB-42.
 - Cost of excavation for approach footing included with Concrete Structures.
 - Cost of expansion anchors/inserts included with Reinforcement Bars, Epoxy Coated.
 - For bridge fence details, see Sht. SB-44.

Bend e22(E) and e23(E) bars in field as necessary

082018.CCANK-99-001-00.DGN
 5-17-2011, 9:55:23
 RECIPROCAL
 \\FS-0044\AMVA\JLJ_ID-TRANS-07\2202\30666-001\STRUCT\CAD\01_DESIGN\082018\082018-003-SHT-APP.DGN