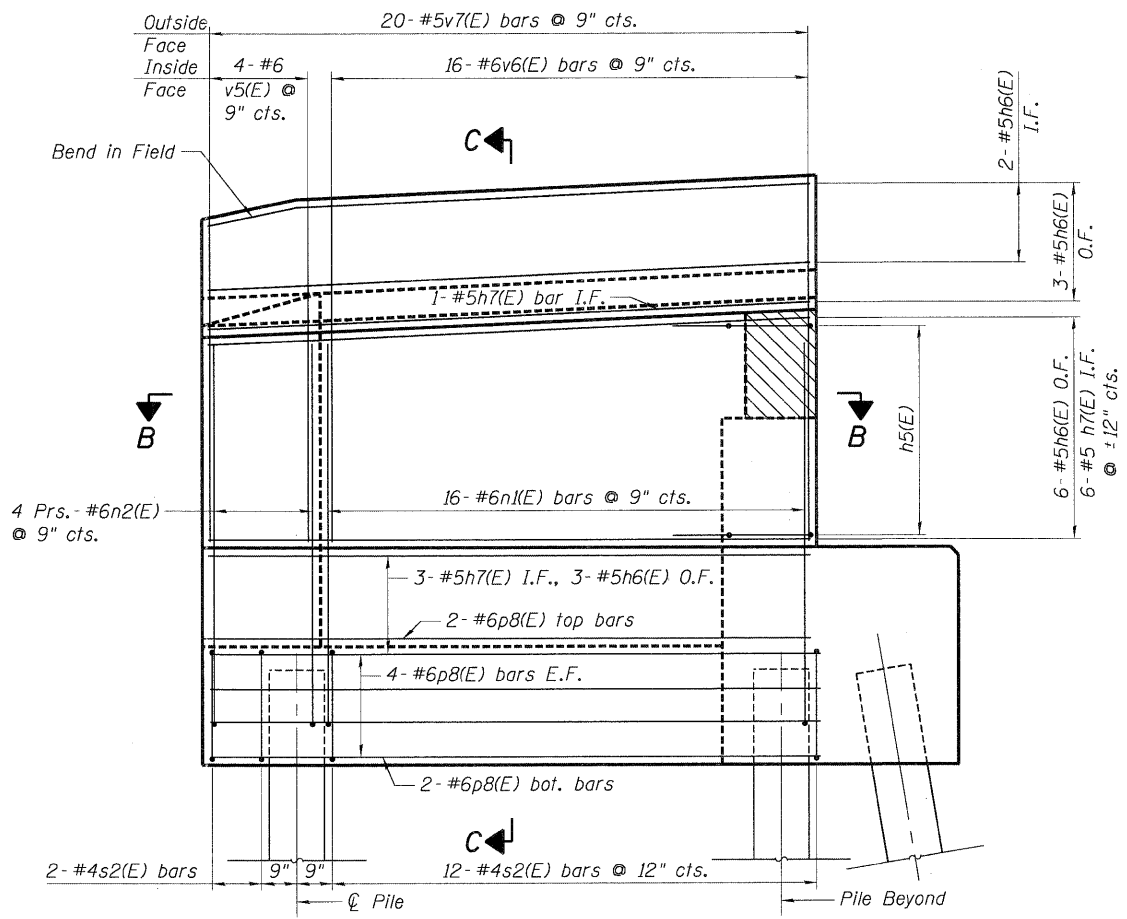
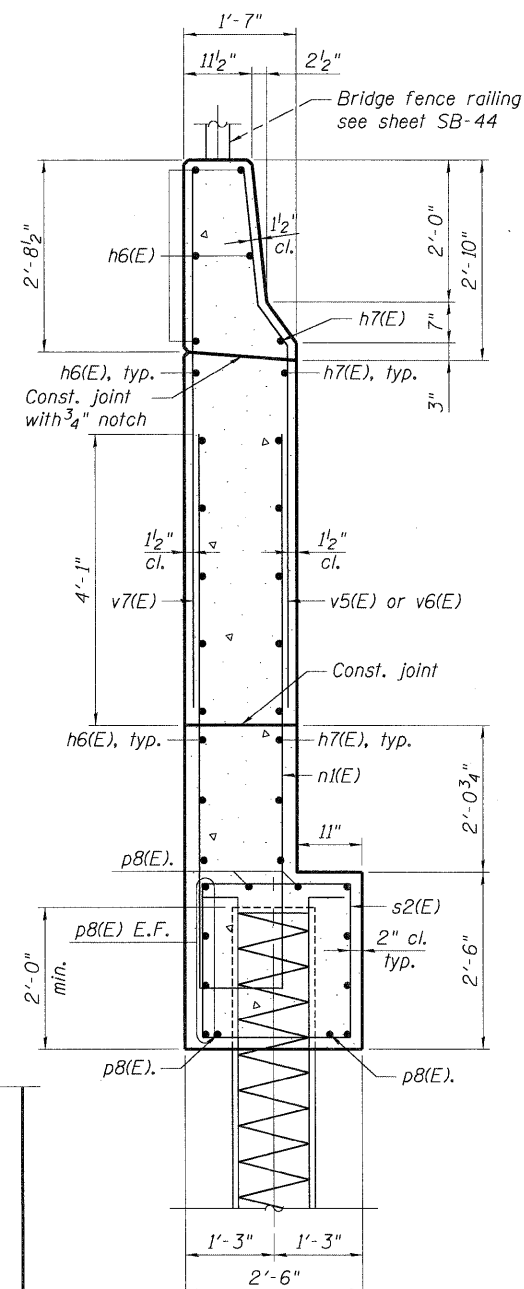


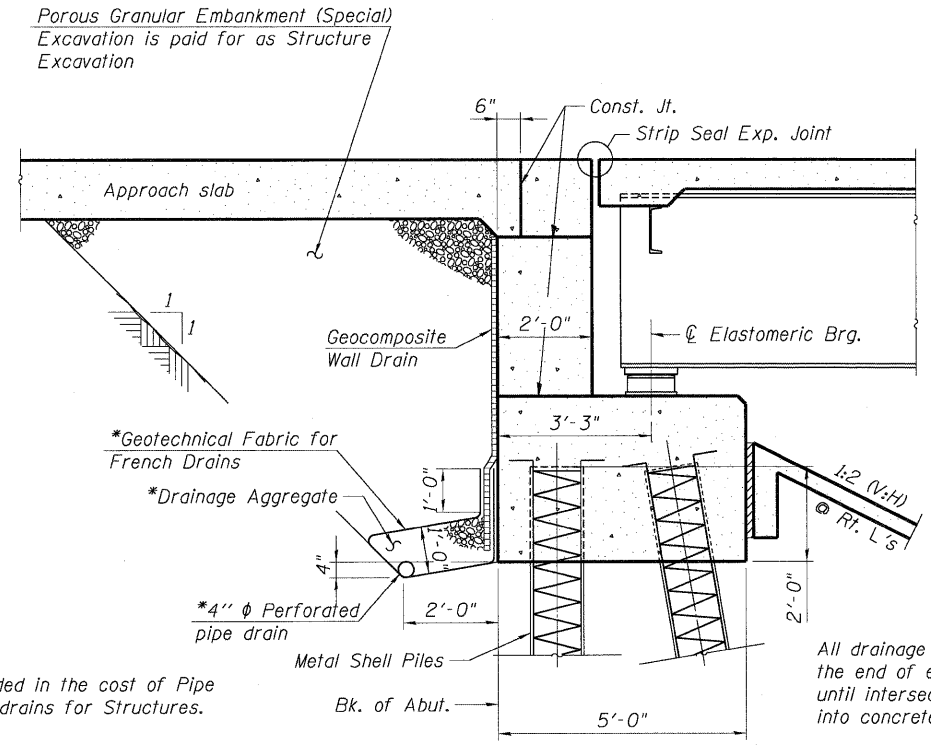
WING WALL ELEVATION
 (Looking West - Showing Dimensions)



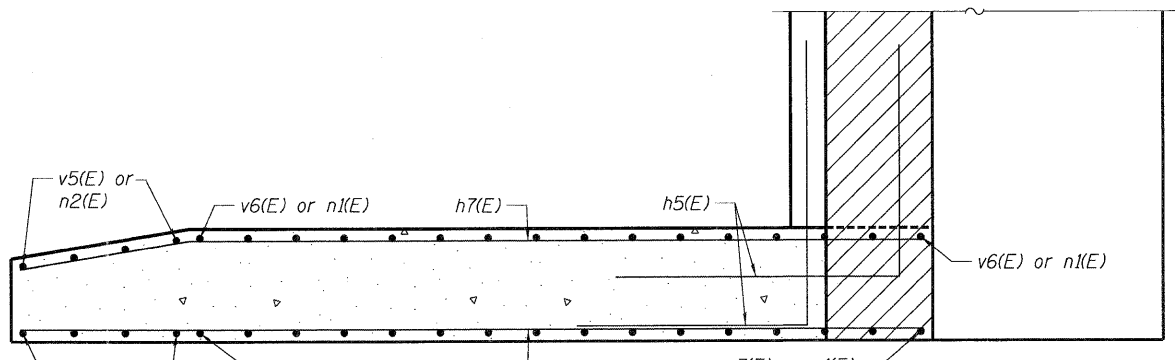
WING WALL ELEVATION
 (Looking West - Showing Reinforcement)



SECTION C-C



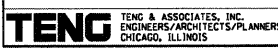
SECTION THRU SOUTH ABUTMENT
 (Horiz. dim. @ Rt. L's)



SECTION B-B

All drainage system components shall extend to 2'-0" from the end of each wingwall except an outlet pipe shall extend until intersecting with the side slopes. The pipes shall drain into concrete headwalls.

FILE NAME = USER NAME = #USER# DESIGNED - MDJ REVISED - DRAWN - MDJ REVISED - CHECKED - JLR REVISED - DATE - 05/13/11 REVISED -



FILE NAME =	USER NAME = #USER#	DESIGNED - MDJ	REVISED -
#FILE#		DRAWN - MDJ	REVISED -
PLOT SCALE = #SCALE#		CHECKED - JLR	REVISED -
PLOT DATE = #DATE#		DATE - 05/13/11	REVISED -

STATE OF ILLINOIS
 DEPARTMENT OF TRANSPORTATION
 IL 3 OVER
 TRRA & ST. CLAIR AVENUE

SOUTH ABUTMENT
 EAST WINGWALL & DETAILS

SCALE: SHEET NO. SB-32 OF SB-63 STA. 1679+16.65 TO STA.

F.A.P. RTE.	SECTION	COUNTY	TOTAL SHEETS	SHEET NO.
998	82-2-1HB-1	ST. CLAIR	345	224
SN 082-0329		CONTRACT NO. T6D05		
FED. ROAD DIST. NO.		ILLINOIS FED. AID PROJECT		