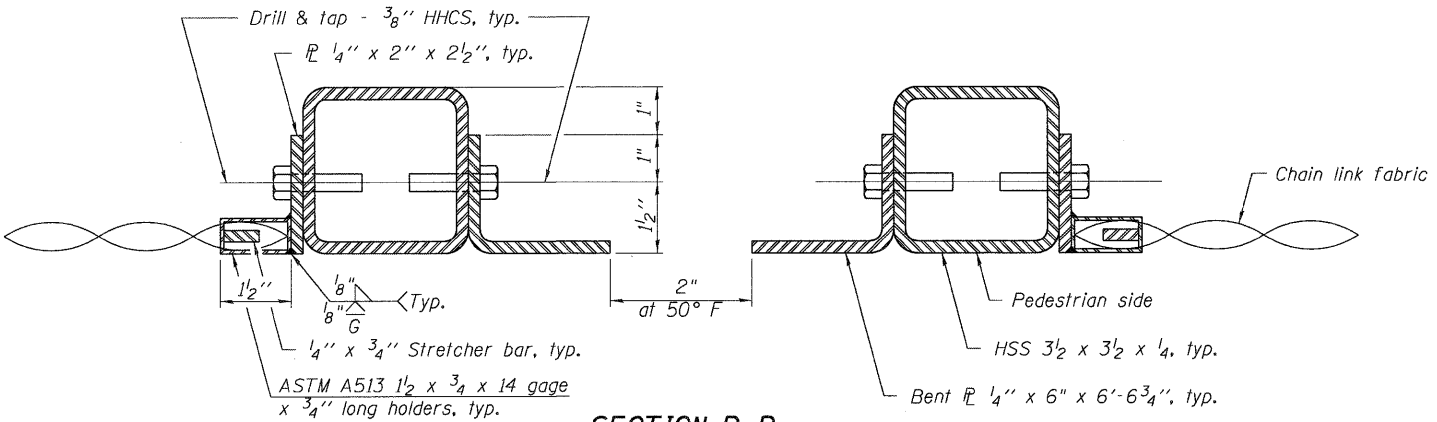
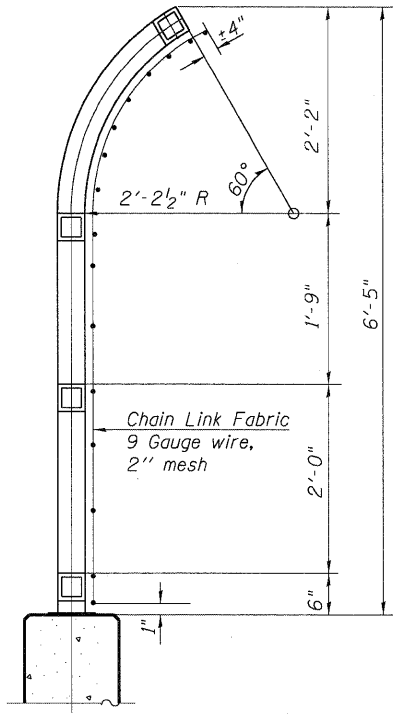
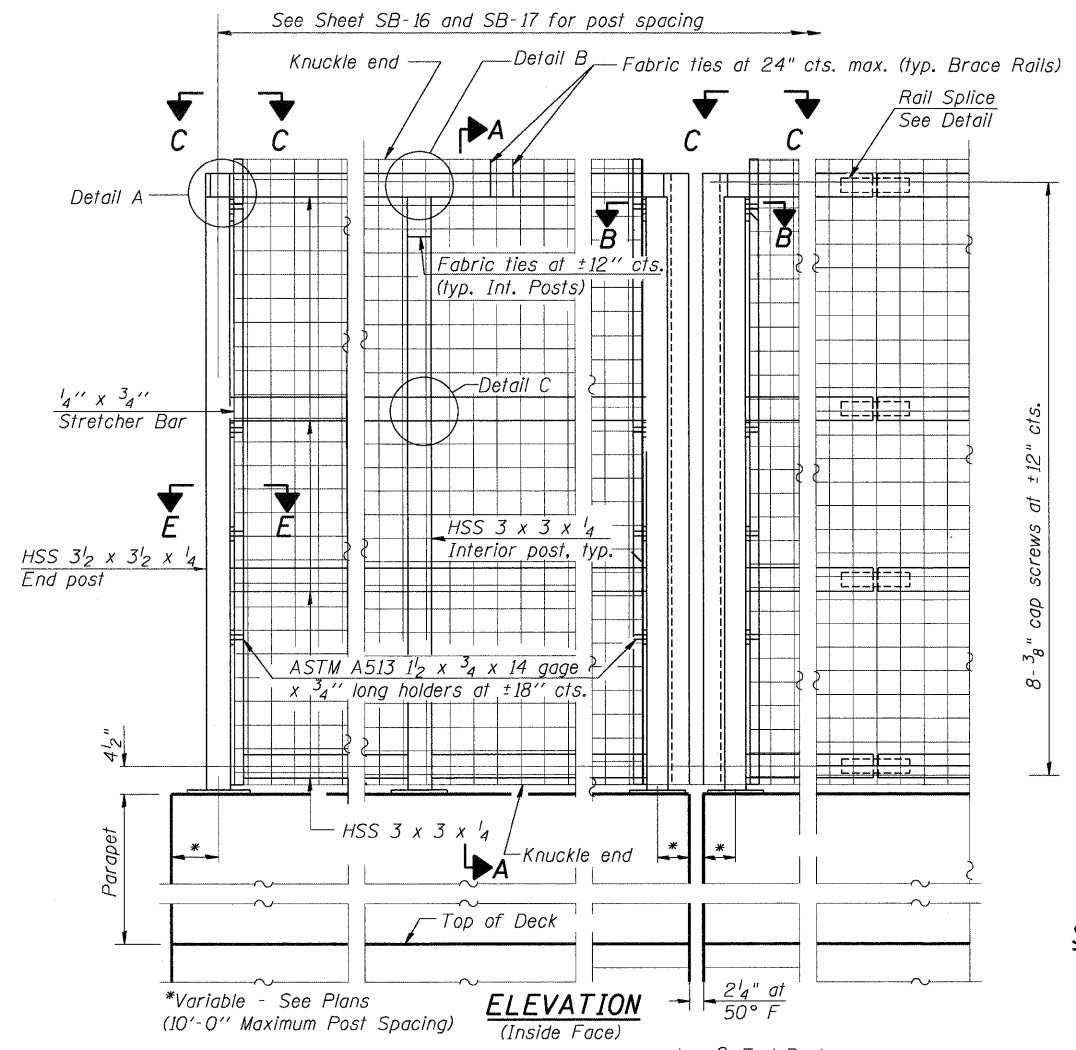
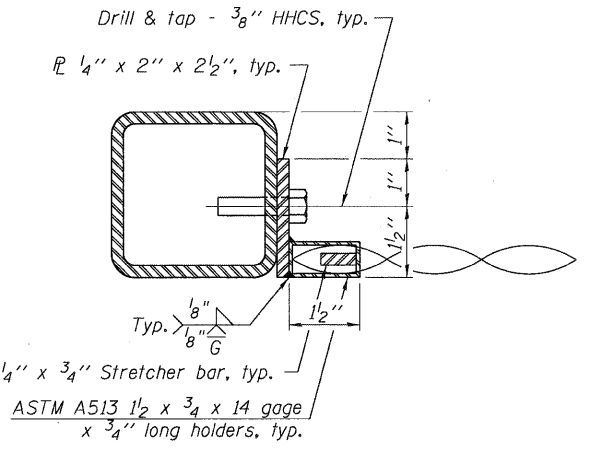


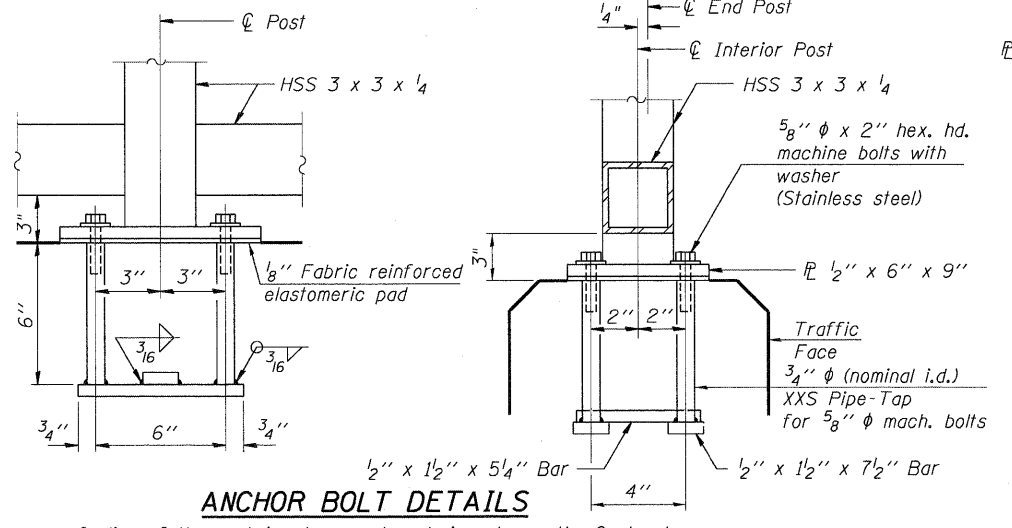
0820318-COM-99-001-BQ.DGN
 5-11-2011, 9:57:42
 NEMMANHO
 \FS-0044\RM\VAULT-ID-TRANS_07\2202\28868_001\STRUCT\CAD\01_DESIGN\0820318\SH-SHEET_0820329-COM-10_003_SHT_HSDGN



SECTION B-B
(At Expansion Joint)

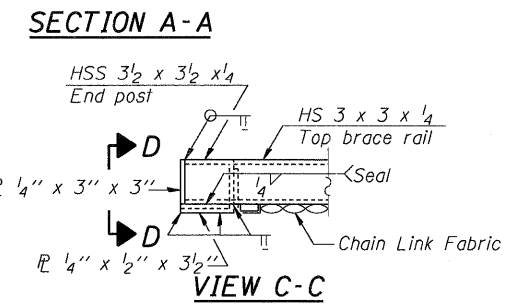
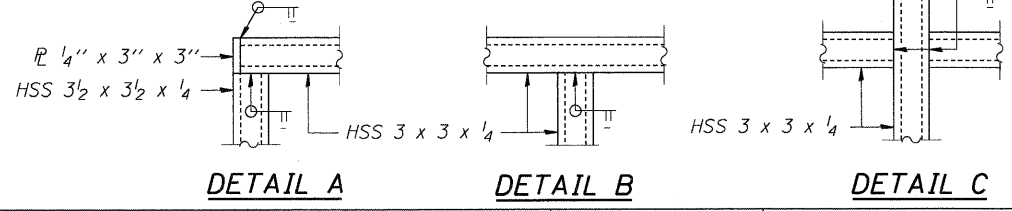


SECTION E-E

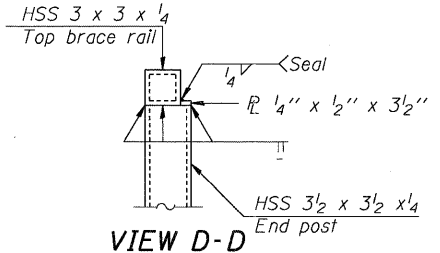


ANCHOR BOLT DETAILS

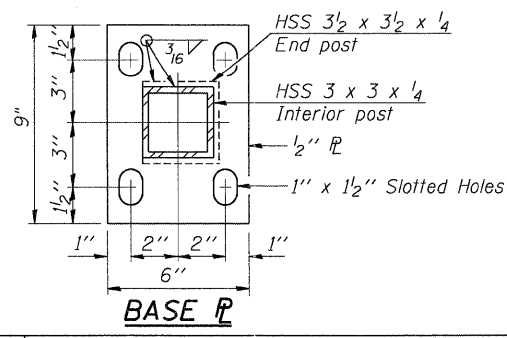
In lieu of the cast-in-place anchor device shown, the Contractor has the option of drilling and setting 5/8" anchor rods according to Article 509.06 of the Standard Specifications. Embedment shall be according to the manufacturer's specifications.



VIEW C-C



VIEW D-D



BASE P

NOTE:
All post, railing, splices, anchor devices and plates shall be painted using the DuPont Imron 2.1 HG High Gloss Polyurethane (Includes Mix Quality "VF") or approved equal. The color of the final finish coat shall be Black.

BILL OF MATERIAL

Item	Unit	Quantity
Bridge Fence Railing	Foot	905