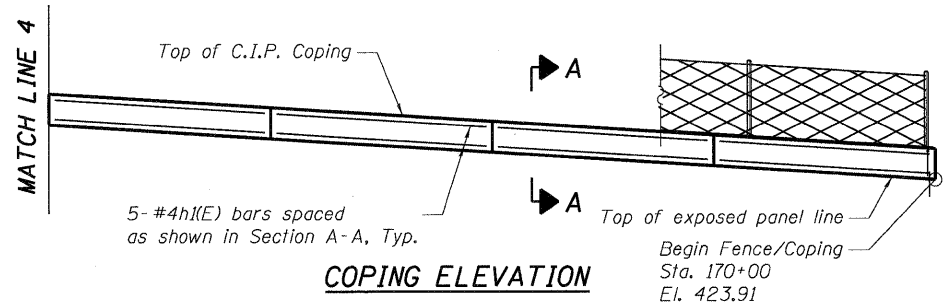
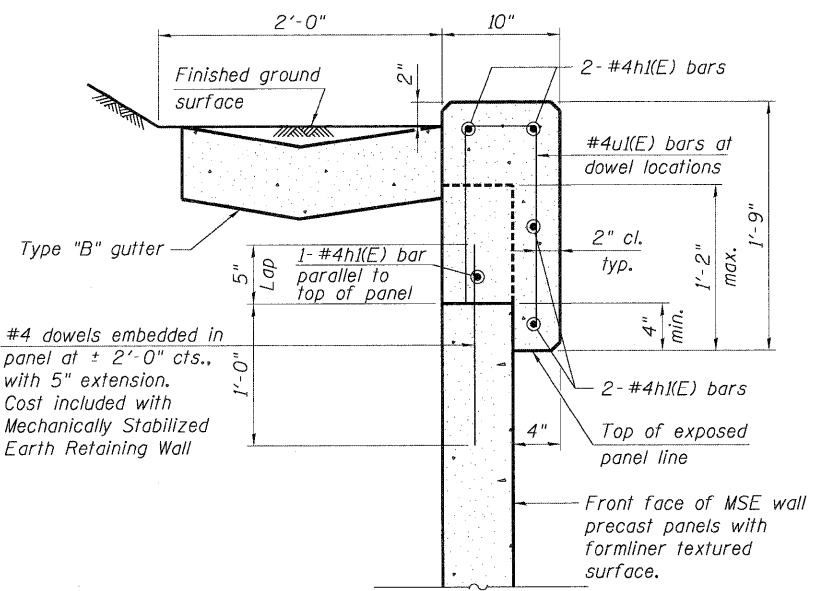


**COPING ELEVATION**



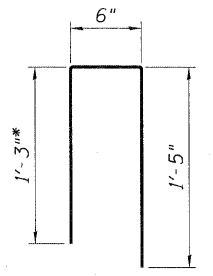
**COPING ELEVATION**



**SECTION A-A**

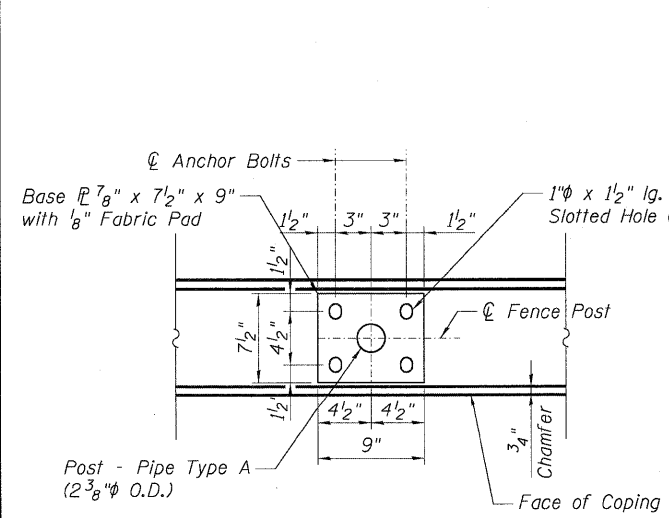
**BAR LIST**

Bar	No.	Size	Length	Shape
h(E)	260	#4	12'-0"	—
u(E)	364	#4	3'-2"	U

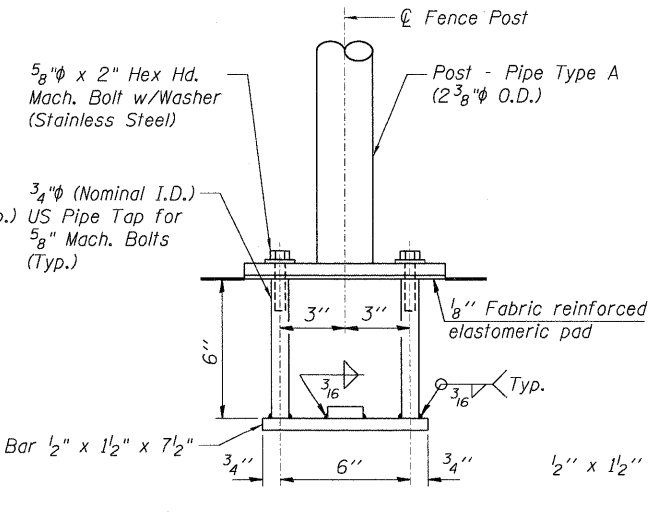


**u(E) Bar**

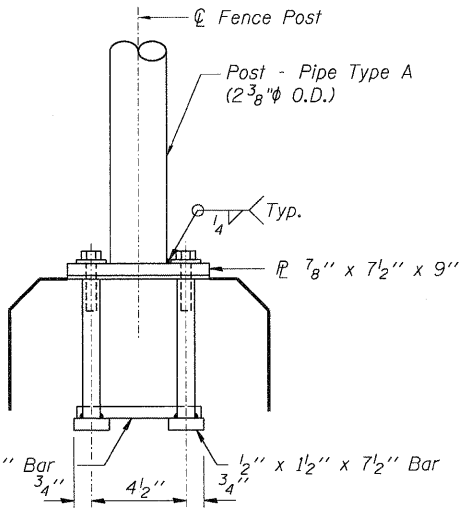
\*Cut leg in field as required



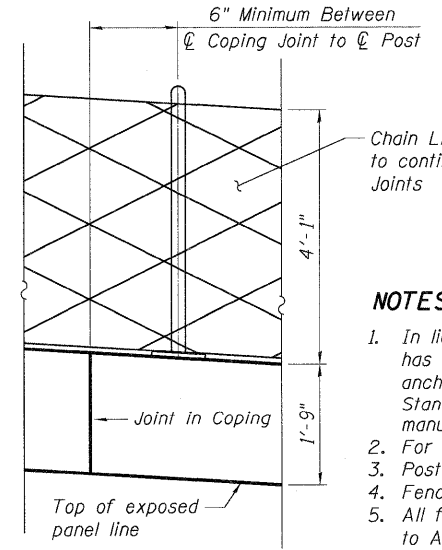
**BASE PLATE PLAN**



**ELEVATION**



**SIDE VIEW**



**COPING JOINT DETAIL**

**NOTES**

- In lieu of the cast-in-place anchor device shown, the Contractor has the option of drilling and setting 5/8" diameter stainless steel anchor rods according to Articles 509.06 and 1006.31 of the Standard Specifications. Embedment shall be according to the manufacturer's specifications.
- For additional Chain Link Fence Details, See Std. 664001.
- Posts Shall be placed at locations determined by the Engineer.
- Fence Posts shall be vertical when erected.
- All fence parts are to have a Type IV, Class B coating according to Article 1006.27 of the Standard Specifications. Color: Black.

FILE NAME: \\S:\2011\959520\0822308.DWG, USER: JLR, PLOT DATE: 05/13/11, SCALE: 1/8"=1'-0", SHEET NO. 260 OF 260, CONTRACT NO. 082-W308, STATIONING: STA. 170+00.00 TO STA. 176+50.00, PROJECT: I-70 CONNECTION RETAINING WALL, COUNTY: ST. CLAIR, ILLINOIS.

<b>TENG</b> TENG & ASSOCIATES, INC. ENGINEERS/ARCHITECTS/PLANNERS CHICAGO, ILLINOIS	USER NAME = #USER# PLOT SCALE = #SCALE# PLOT DATE = #DATE#	DESIGNED - TCG DRAWN - TCG CHECKED - JLR DATE - 05/13/11	REVISED - REVISED - REVISED - REVISED -	<b>STATE OF ILLINOIS</b> <b>DEPARTMENT OF TRANSPORTATION</b> I-70 CONNECTION RETAINING WALL	<b>COPING DETAILS</b> <b>2 OF 2</b>	F.A.P. RTE. 998 SECTION 82-2-1HVB-1 COUNTY ST. CLAIR TOTAL SHEETS 345 SHEET NO. 260 CONTRACT NO. 76D05 ILLINOIS FED. AID PROJECT
	SCALE: SHEET NO. RA-5 OF RA-25 STA. 170+00.00 TO STA. 176+50.00					