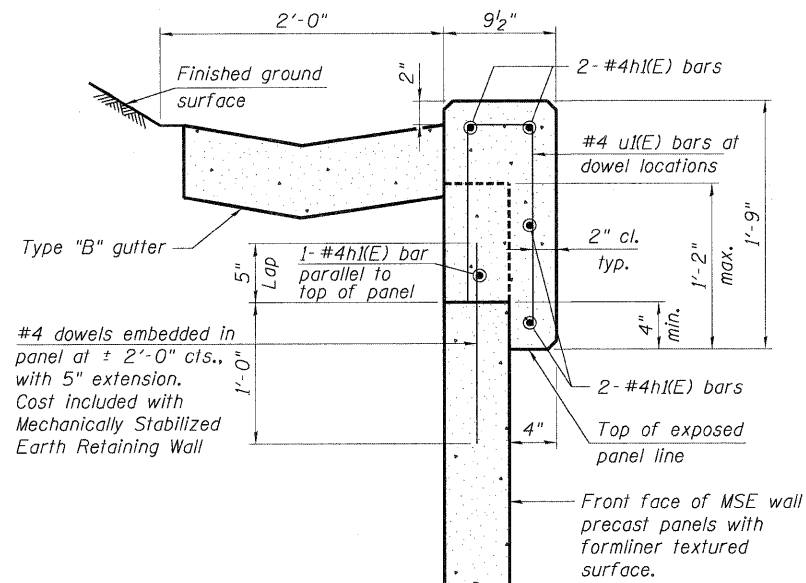


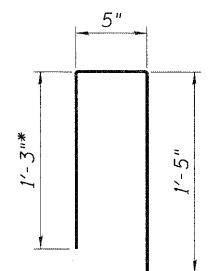
**SECTION B-B**



**SECTION A-A**

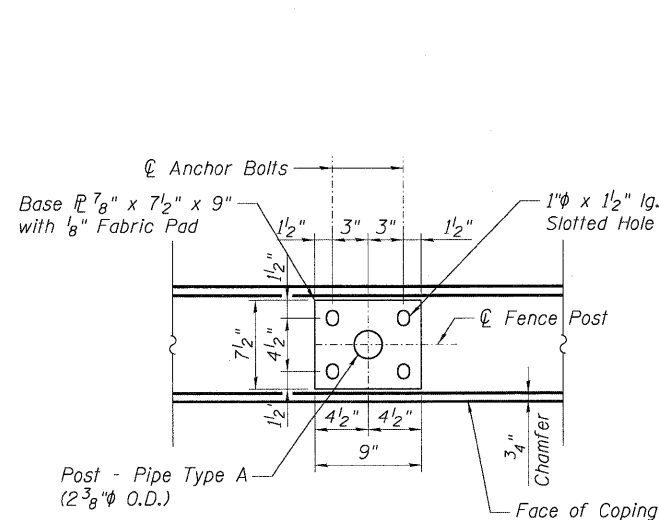
**BAR LIST**

Bar	No.	Size	Length	Shape
h(E)	320	#4	12'-0"	—
u(E)	448	#4	3'-1"	⌊

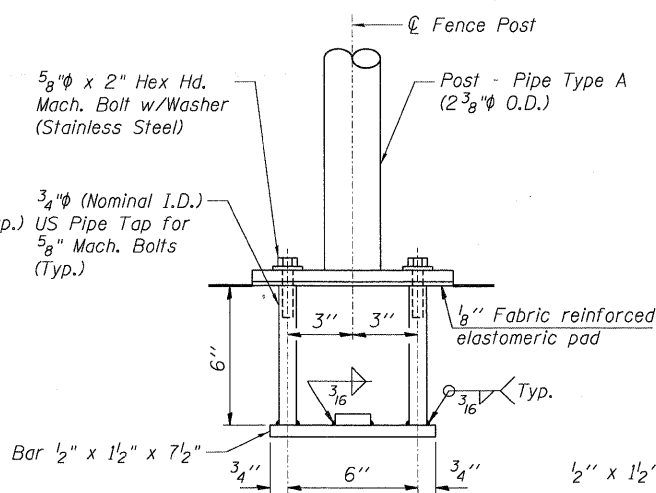


**u(E) Bar**

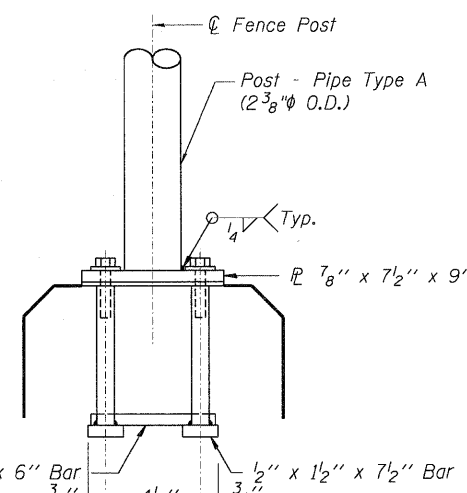
\*Cut leg in field as required



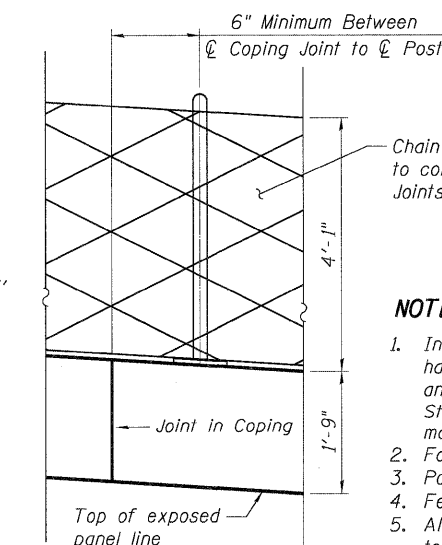
**BASE PLATE PLAN**



**ELEVATION**



**SIDE VIEW**



**COPING JOINT DETAIL**

**NOTES**

- In lieu of the cast-in-place anchor device shown, the Contractor has the option of drilling and setting 5/8"  $\phi$  stainless steel anchor rods according to Articles 509.06 and 1006.31 of the Standard Specifications. Embedment shall be according to the manufacturer's specifications.
- For additional Chain Link Fence Details, See Std. 664001.
- Posts Shall be placed at locations determined by the Engineer.
- Fence Posts shall be vertical when erected.
- All fence parts are to have a Type IV, Class B coating according to Article 1006.27 of the Standard Specifications. Color: Black.

10824309 CONN 10 003 MS.DCN 10824318 CONN 09 001 B0.DCN 10824309 CONN 09 001 MS.DCN 10824309 CONN 10 005 SH1-RS.DCN  
 5-11-2011 10:01:05  
 NEWMANN  
 FILE NAME =  
 USER NAME = #USER#  
 DESIGNED - TCG  
 DRAWN - TCG  
 CHECKED - JLR  
 DATE - 05/13/11  
 REVISED -  
 REVISED -  
 REVISED -  
 REVISED -  
 PLOT SCALE = #SCALE#  
 PLOT DATE = #DATE#  
**TENG** TENG & ASSOCIATES, INC.  
 ENGINEERS/ARCHITECTS/PLANNERS  
 CHICAGO, ILLINOIS

**STATE OF ILLINOIS**  
**DEPARTMENT OF TRANSPORTATION**  
 I-70 CONNECTION  
 RETAINING WALL

**COPING DETAILS**  
**3 OF 3**

SCALE: SHEET NO. RB-6 OF RB-32 STA. 801+75.00 TO STA. 809+75.00

F.A.P. RTE.	SECTION	COUNTY	TOTAL SHEETS	SHEET NO.
998	82-2-1HV-B-1	ST. CLAIR	345	286
SN 082-W309		CONTRACT NO. T6D05		
FED. ROAD DIST. NO.		ILLINOIS FED. AID PROJECT		