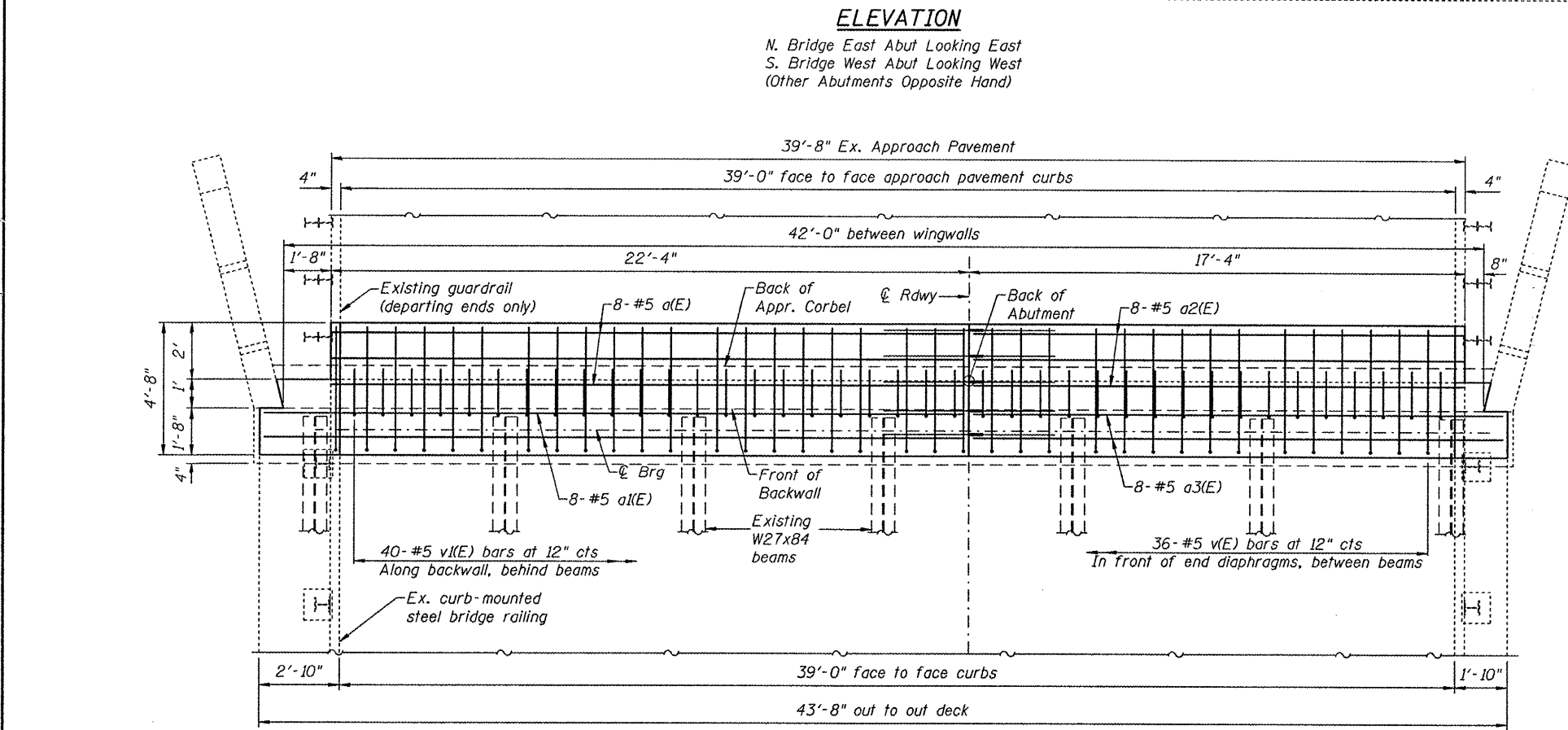


ELEVATION

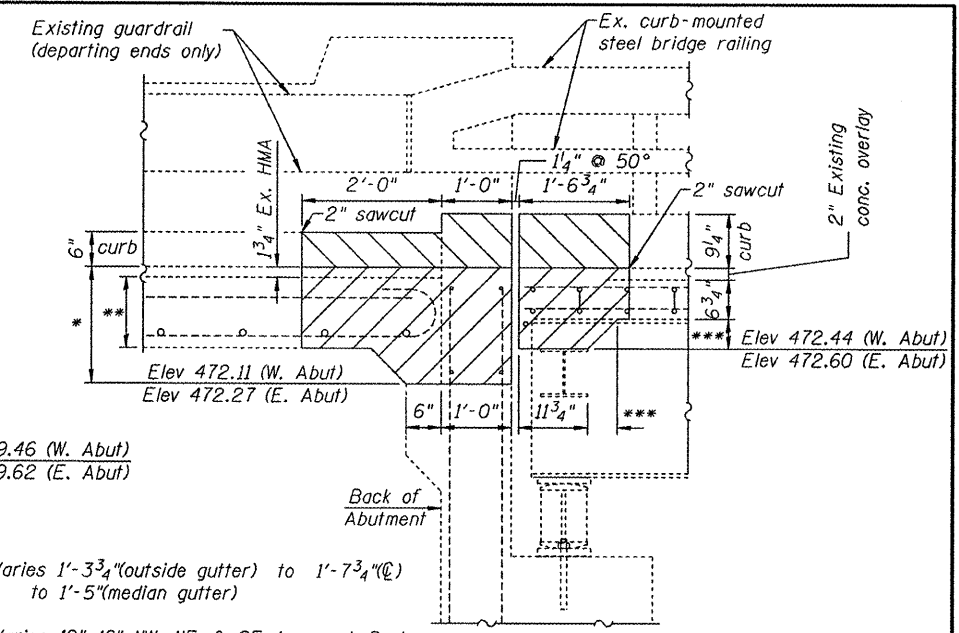
N. Bridge East Abut Looking East
S. Bridge West Abut Looking West
(Other Abutments Opposite Hand)



PLAN

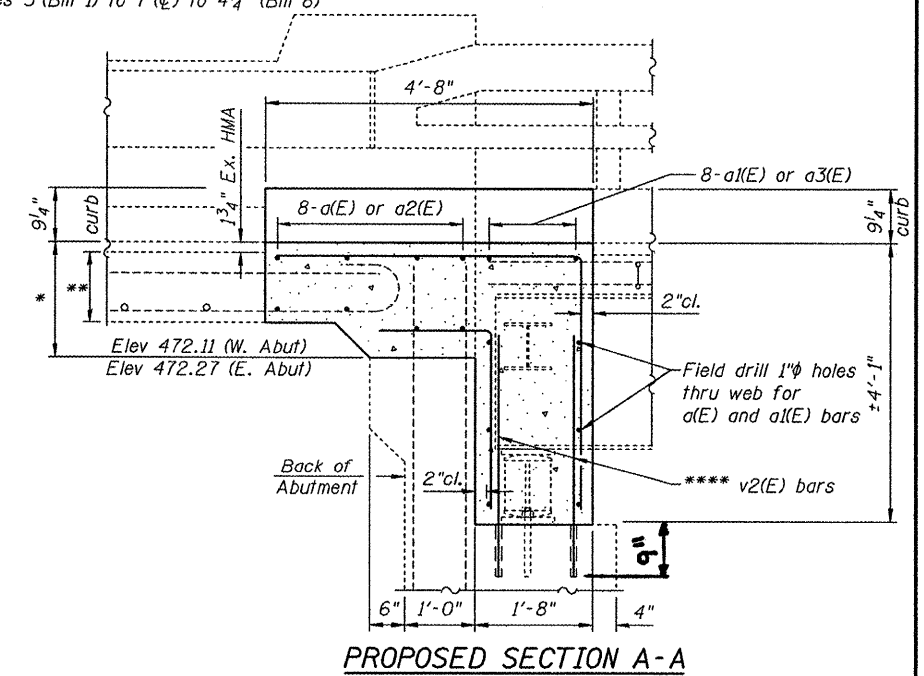
N. Bridge East Abut
S. Bridge West Abut
(Other Abutments Opposite Hand)

**** Drill and epoxy grout v2(E) bars into the abutment cap in accordance with Article 584 of the Standard Specifications. Lap the v(E) and v(E) bars with v2(E) bars. Cost included with "Reinforcement Bars, Epoxy Coated".



EXISTING SECTION A-A

* Varies 1'-3 3/4" (outside gutter) to 1'-7 3/4" (median gutter)
** Varies 12"-16" NW, NE, & SE Approach Pavt.
13" SW Approach Pavt.
10" Approach Shoulders
*** Varies 3"(Bm 1) to 7"(E) to 4 1/4" (Bm 8)

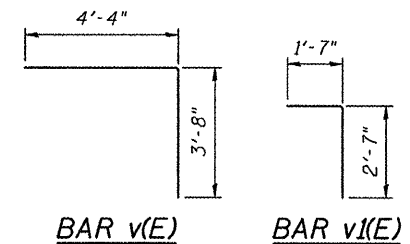


PROPOSED SECTION A-A

BILL OF MATERIAL

(All 4 Abutments)

Bar	No.	Size	Length	Shape
a(E)	32	#5	22'-2"	—
a1(E)	32	#5	24'-6"	—
a2(E)	32	#5	17'-2"	—
a3(E)	32	#5	18'-6"	—
v(E)	144	#5	8'-0"	└
v1(E)	160	#5	4'-2"	└
v2(E)	304	#6	3'-6"	—
Concrete Removal		Cu. Yds.	35.2	
Reinforcement Bars, Epoxy Coated		Pound	6240	
Concrete Superstructure		Cu. Yds.	68.9	



DESIGNED John Uehle
CHECKED Brad Williams
DRAWN John Uehle
CHECKED Brad Williams

EXAMINED *John F. Schmitt*
PASSED *Carl Taylor*
ENGINEER OF STRUCTURAL SERVICES
ENGINEER OF BRIDGES AND STRUCTURES

DATE - 3-16-2011

STATE OF ILLINOIS
DEPARTMENT OF TRANSPORTATION

CONCRETE DETAILS
STRUCTURE NO. 060-0027 & 0028
SHEET NO. 3 OF 8 SHEETS

F.A.I. RTE.	SECTION	COUNTY	TOTAL SHEETS	SHEET NO.
70	60-11B-1	MADISON	10	5
			CONTRACT NO. 76E25	
ILLINOIS FED. AID PROJECT				