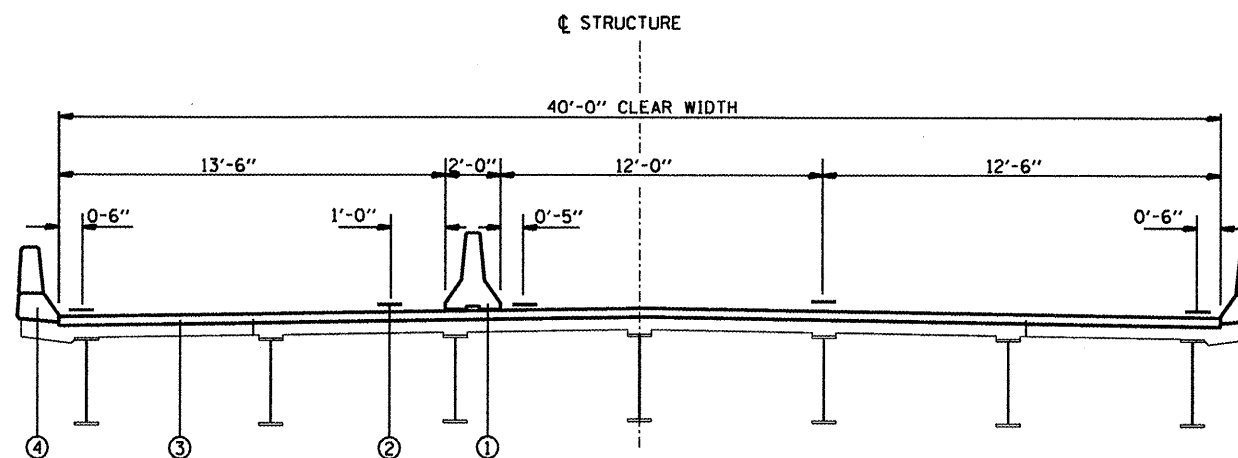


### BILL OF MATERIALS

ITEM	UNIT	TOTAL
CONCRETE SEALER	SQ FT.	11,644



### TYPICAL SECTION

- LEGEND**
- ① EXISTING CONCRETE SAFETY BARRIER, SPECIAL
  - ② EXISTING PREFORMED PLASTIC PAVEMENT MARKING
  - ③ EXISTING PCC BRIDGE DECK
  - ④ EXISTING ALUMINIUM PARAPET

ALL PAVEMENT MARKINGS DIMENSIONS TO CENTER OF STRIPES

**NOTE:**

1. THE EXTERIOR PARAPET BARRIERS ARE MADE OF ALUMINIUM RATHER THAN CONCRETE. THEREFORE, NO CONCRETE SEALER WILL BE APPLIED TO THE EXTERIOR BARRIER WITHIN PIERS 7 TO 10 (SEE SHEET 6).

FILE NAME =	USER NAME = langdk	DESIGNED -	REVISED -	<b>STATE OF ILLINOIS DEPARTMENT OF TRANSPORTATION</b>	<b>GENERAL PLANS AND TYPICAL SECTIONS</b>	F.A.P. RTE.	SECTION	COUNTY	TOTAL SHEETS	SHEET NO.
ci\pw_work\pwidot\langdk\d8247784\sheet_	enge.dgn	DRAWN -	REVISED -			799	1-BR, DS-1	ST. CLAIR	29	12
PLOT SCALE = 100.0000' / 1"		CHECKED -	REVISED -			<b>CONTRACT NO. 76E72</b>				
PLOT DATE = 6/23/2011		DATE -	REVISED -			SCALE: SHEET NO. 4 OF 9 SHEETS STA. 14+70.42 TO STA. 24+33.25			FED. ROAD DIST. NO. ILLINOIS FED. AID PROJECT	