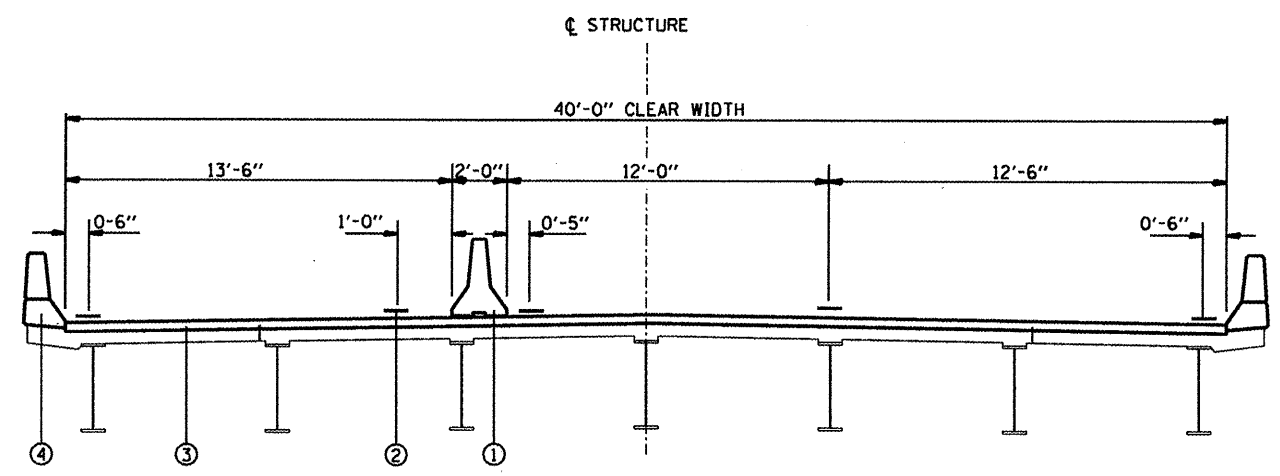


BILL OF MATERIALS

ITEM	UNIT	TOTAL
CONCRETE SEALER	SQ FT.	13,431



TYPICAL SECTION

- LEGEND**
- ① EXISTING CONCRETE SAFETY BARRIER, SPECIAL
 - ② EXISTING PREFORMED PLASTIC PAVEMENT MARKING
 - ③ EXISTING PCC BRIDGE DECK

ALL PAVEMENT MARKINGS DIMENSIONS TO CENTER OF STRIPES