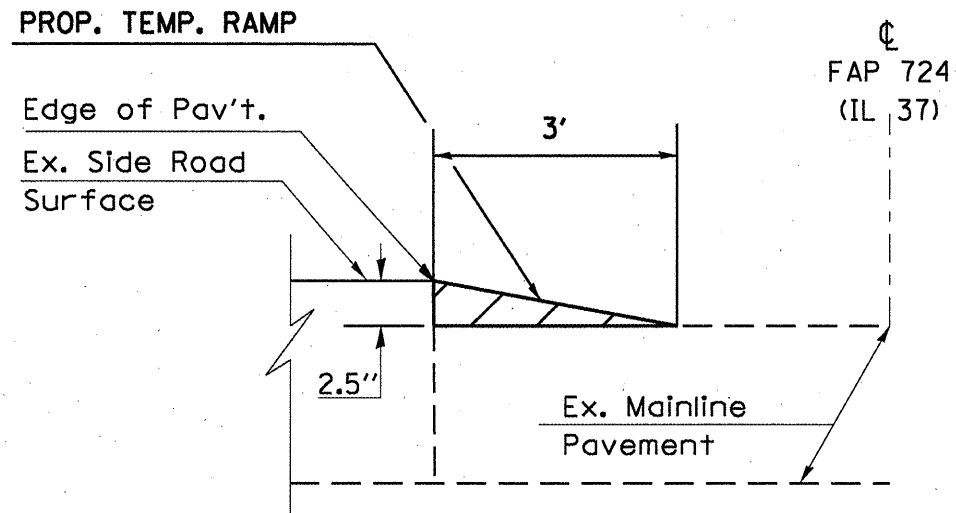
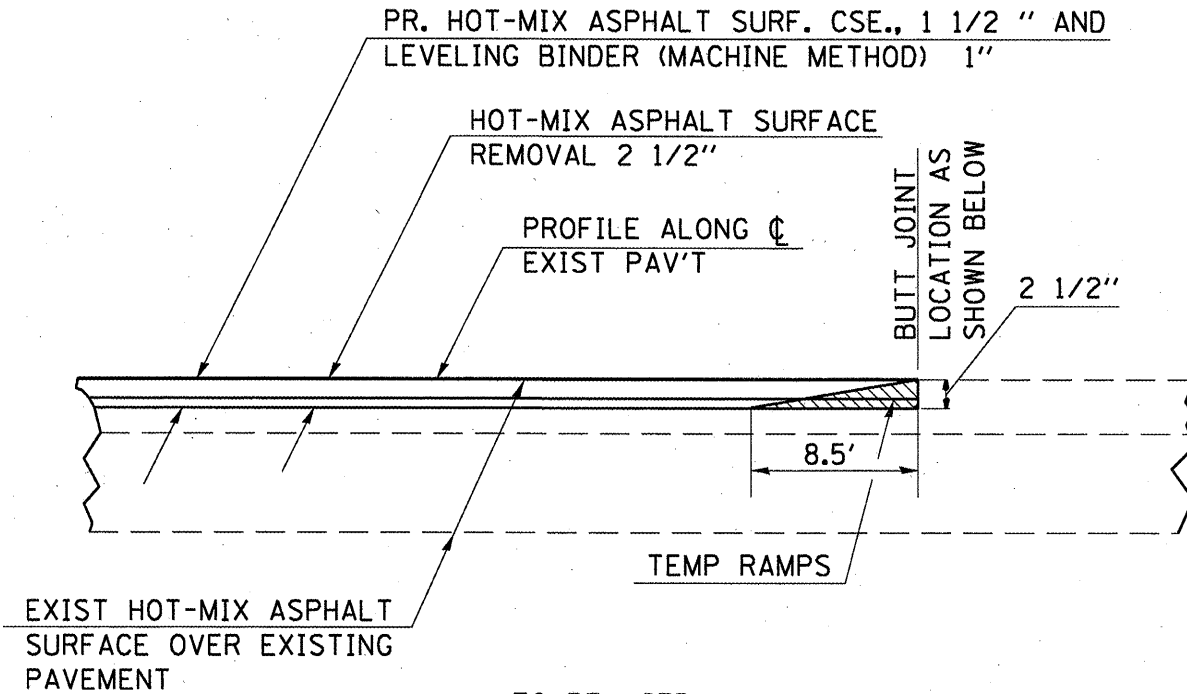


**PROP. TEMPORARY RAMPS
AT SIDE STREETS**



TO BE USED:
ALL SIDE STREETS WHERE
THE RESIDENT ENGINEER
DETERMINES TO BE NECESSARY.

BUTT JOINT DETAIL



TO BE USED:

FAP 821 (IL 15):
STA. 612+60
STA. 654+24
STA. 654+39
STA. 655+00
STA. 31+58
STA. 31+80
STA. 32+60

FAP 724 (IL 37):
STA. 140+38
STA. 49+90
STA. 49+74
STA. 43+82

IL 148:
STA. 3+64

FAP 821/724 (IL 15/37)

FILE NAME =	USER NAME = mcoardkr	DESIGNED -	REVISD -
ca:\p\work\p\dot\mcoardkr\0255786\7849-sha.dgn		DRAWN -	REVISD -
PLOT SCALE = 100.0000' / IN.		CHECKED -	REVISD -
PLOT DATE = 5/2/2011		DATE -	REVISD -

STATE OF ILLINOIS
DEPARTMENT OF TRANSPORTATION

DETAILS: PLACEMENT FOR CROSSWALKS, STOP BARS AND
DET. LOOPS; STRIPED ISLANDS; DIST. DET. LOOPS
SCALE: SHEET NO. OF SHEETS STA. TO STA.

F.A.P. RTE.	SECTION	COUNTY	TOTAL SHEETS	SHEET NO.
	132.15.1185-4	JEFFERSON	37	34
CONTRACT NO. 78248			ILLINOIS FED. AID PROJECT	