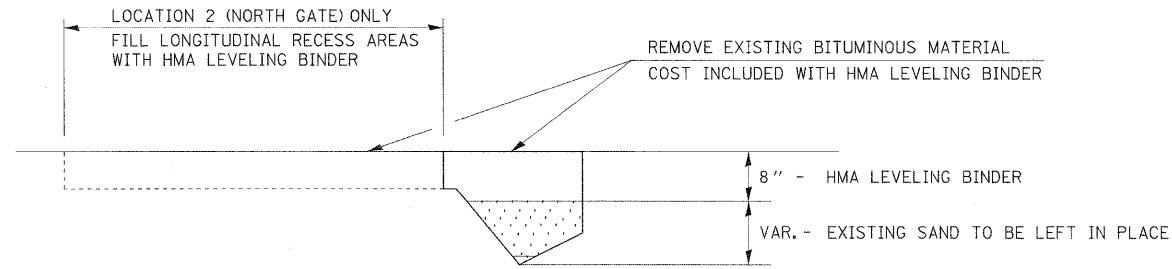


### GATE RECESS DETAIL



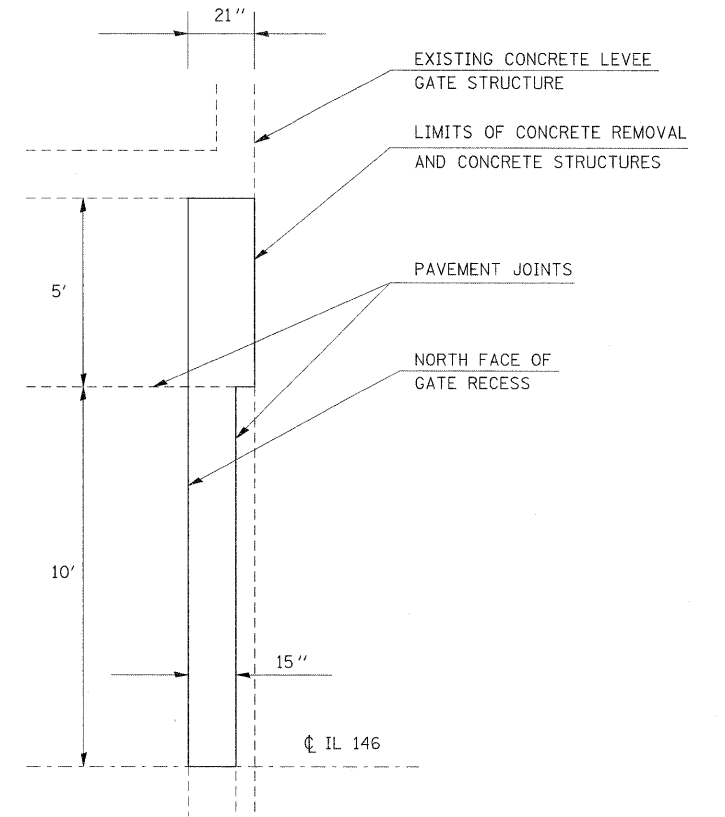
### CONCRETE STRUCTURE DETAIL

NOTES:

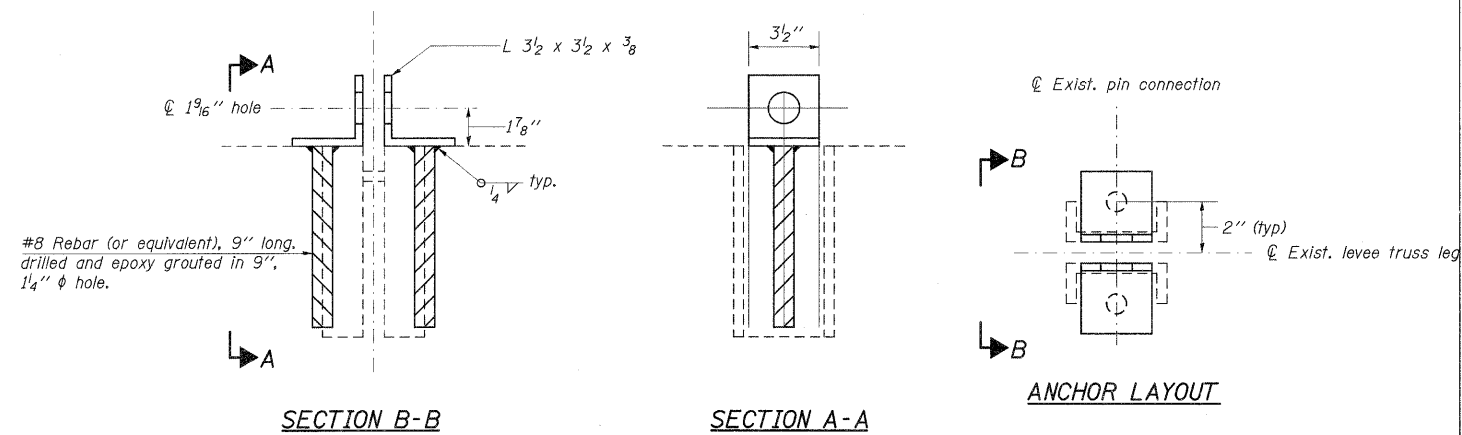
Existing reinforcement shall be cleaned and incorporated into the new construction. Cost included with Concrete Removal.

Depth of removal is 12"

Dowell into existing concrete with #5 bars every 2'. Cost to be included with cost of CONCRETE STRUCTURES

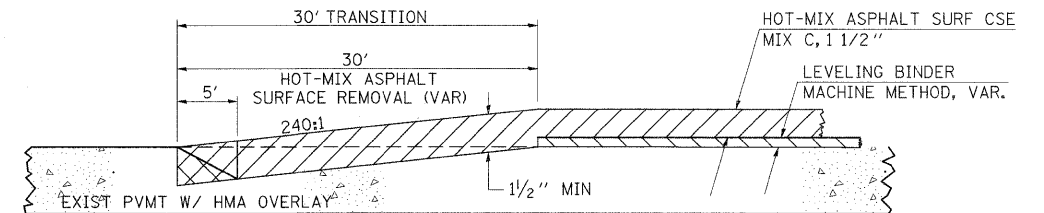
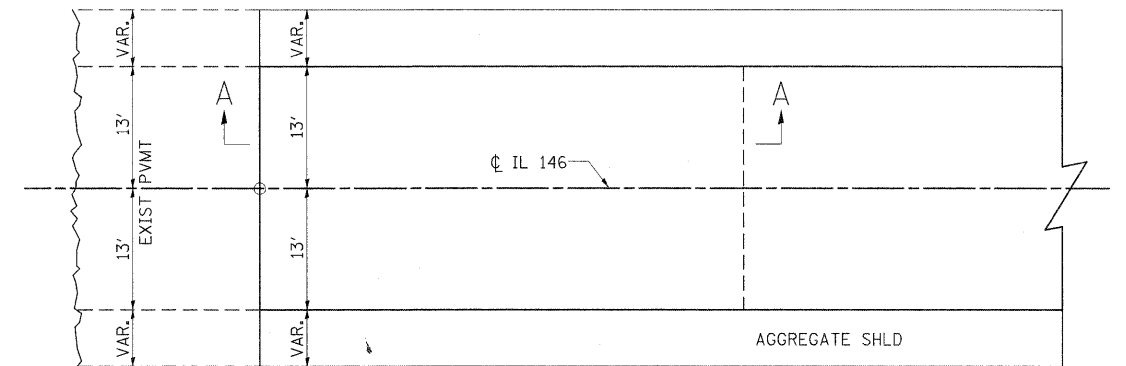


### GATE CONNECTION REPAIR DETAIL



NOTE:  
Grind the existing channels flush with the top of the existing concrete.  
All steel shall be M270 Gr. 36 and shall be primed with an inorganic zinc rich paint.

### BUTT JOINT



5' TEMPORARY RAMP AT 40:1

SECTION A-A

REVISIONS	
DRAWN	10-17-90
REVISED	01-11-07
REVISED	3-25-08
REVISED	

STD. 9-86

FILE NAME =	USER NAME = deterdnggj	DESIGNED -	REVISED -
c:\p\work\p\dot\deterdnggj\d0262048\levee-gate-rep-sht.dgn		DRAWN -	REVISED -
	PLOT SCALE = 50.0000' / in.	CHECKED -	REVISED -
	PLOT DATE = 6/22/2011	DATE -	REVISED -

STATE OF ILLINOIS  
DEPARTMENT OF TRANSPORTATION

DETAILS: GATE RECESS, CONCRETE STRUCTURES  
GATE CONNECTION REPAIR, AND BUTT JOINT

F.A.P. RTE. 885	SECTION (112.7)1-1	COUNTY POPE	TOTAL SHEETS 10	SHEET NO. 6
CONTRACT NO. 78275				
ILLINOIS FED. AID PROJECT				

SHEET NO. OF SHEETS