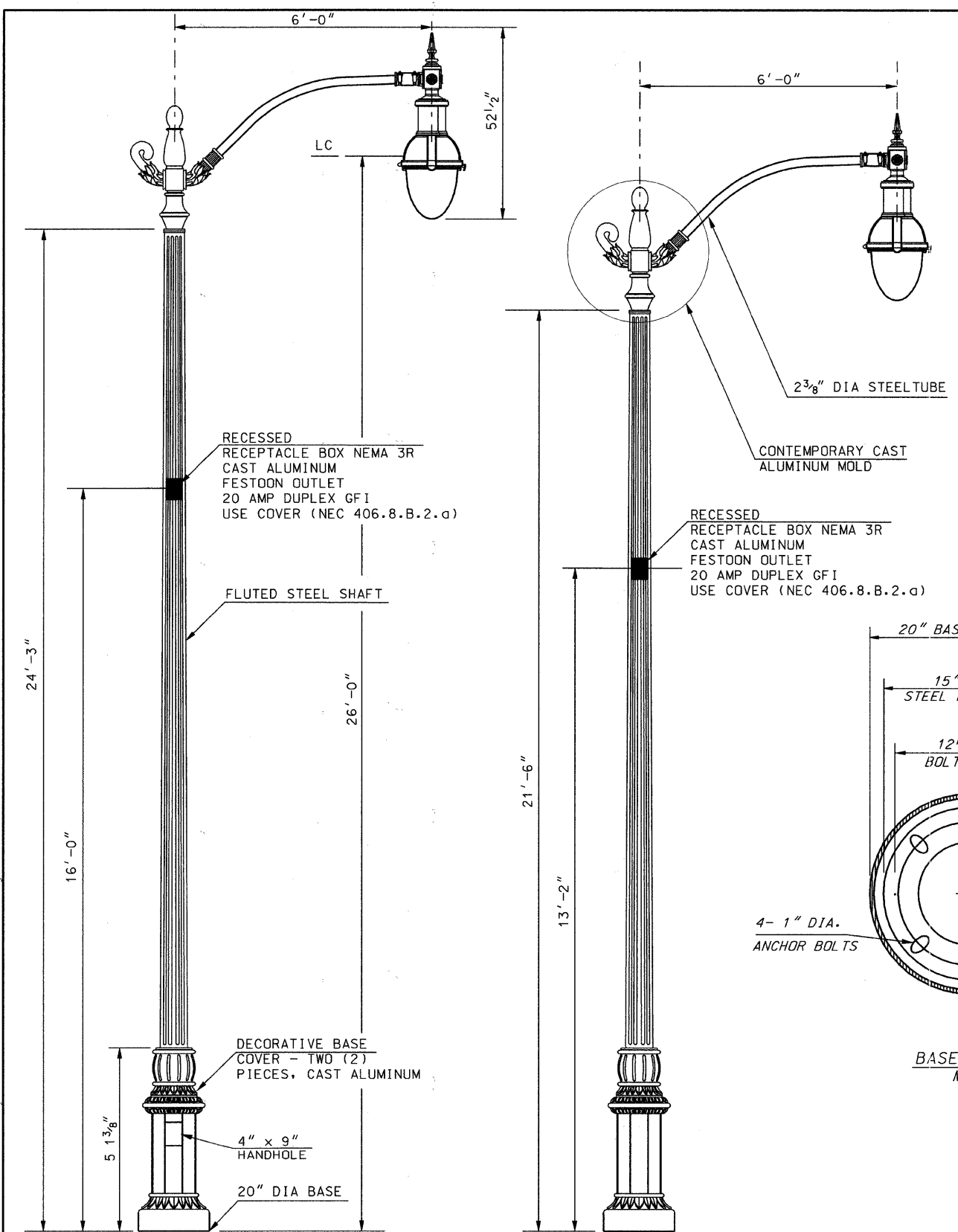
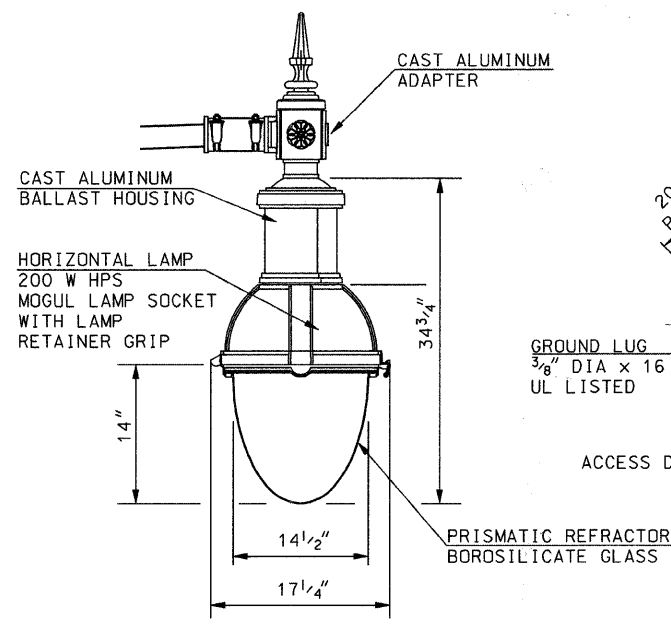


F.A. RTE.	SECTION	COUNTY	TOTAL SHEETS	SHEET NO.
TR55	90-16103-01-BR	WILL	255	116
STA.	TO STA.			
FED. ROAD DIST. NO.	ILLINOIS	FED. AID PROJECT		
CONTRACT NO. 83126				

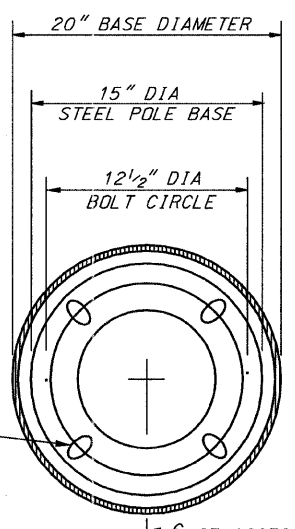


ORNAMENTAL LIGHT POLE, STEEL SHAFT WITH CONTEMPORARY ARM

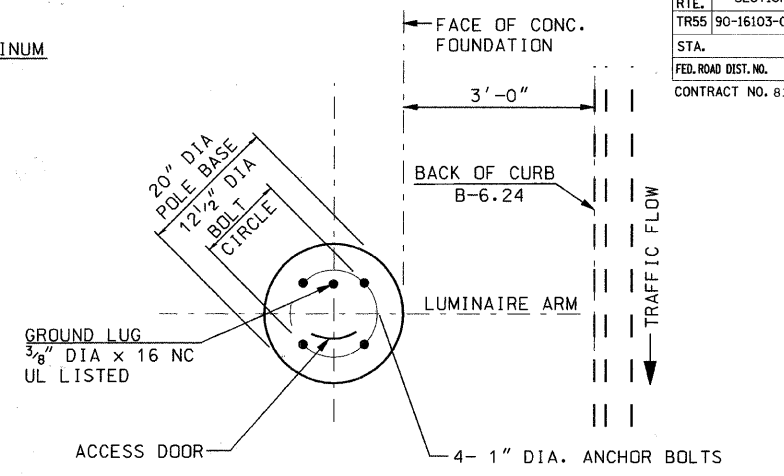
ORNAMENTAL LIGHT POLE, STEEL SHAFT WITH CONTEMPORARY ARM POLE MOUNTED ON BRIDGE PARAPET (FOR MOUNTING ON PARAPET REFER TO SHEET NO. E-14)



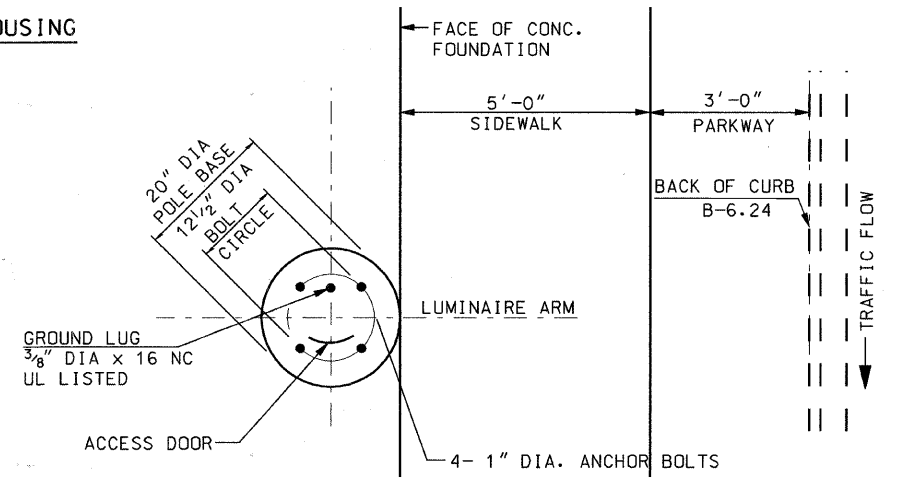
TEAR DROP LUMINAIRE WITH ALUMINUM HOUSING PENDENT MOUNT



BASE DETAIL N.T.S.



POSITION OF ANCHOR BOLTS AND ACCESS DOOR



SIDEWALK AND POSITION OF ANCHOR BOLTS AND ACCESS DOOR

NOTES

1. THE LIGHTING UNIT SHALL COMPLY WITH THE ARTICLE 821-ROADWAY LUMINAIRE AND ARTICLE 830-LIGHT POLES OF THE STANDARD SPECIFICATIONS.
2. THE LIGHTING UNIT- THE POLE SHAFT WITH ARM AND LUMINAIRE SHALL BE PAINTED IN BLACK SEMI-GLOSS FINISH TO MATCH MUNSELL COLOR N1 BLACK.
3. ANCHOR BOLT CIRCLE AND BOLT SLOTS IN POLE BASE PLATE, SHALL BE VERIFIED WITH POLE MANUFACTURER.
4. LUMINAIRES ARE TO BE INSTALLED AS SOON AS POSSIBLE AFTER POLE ERECTED PER MANUFACTURER RECOMMENDATIONS. THE POLE WILL NOT BE PAID FOR UNTIL THE LUMINAIRE IS INSTALLED.
5. THE LIGHT POLE SHALL MEET 80 MPH WIND SPEED AASHTO DESIGN CRITERIA. THE CONTRACTOR SHALL FURNISH WIND LOAD CALCULATIONS MEETING AASHTO DESIGN CRITERIA.
6. THE DUCT SHALL EXTEND INTO POLE A MINIMUM OF OF 12" ABOVE THE BASE.
7. LIGHT POLE AND A LUMINAIRE SHALL BE U.L. LISTED AND LABELED.

ORNAMENTAL LIGHTING UNIT COMPLETE

POLE HEIGHT	STEEL MAST ARM	FESTOON-OUTLET 20A GFI	LUMINAIRE 200W HPS	QUANTITY
24'-3"	6 FT	YES	YES	19
24'-3"	6 FT	NO	YES	15
21'-6"	6 FT	YES	YES	6
TOTAL				40 EACH



ILLINOIS DEPARTMENT OF TRANSPORTATION
 T.R. 55 (RENWICK RD.)
 PLANFIELD TOWNSHIP, WILL COUNTY
ORNAMENTAL LIGHT POLE WITH CONTEMPORARY ARM AND PENDENT MOUNT LUMINAIRE
 SCALE: NTS DATE: OCT. 30, 2009 DRAWN BY: HKQ CHECKED BY: JS

C:\SUNJOY\Projects\RENWICK ROAD\E-10_of_E-17.dgn 4/8/2010