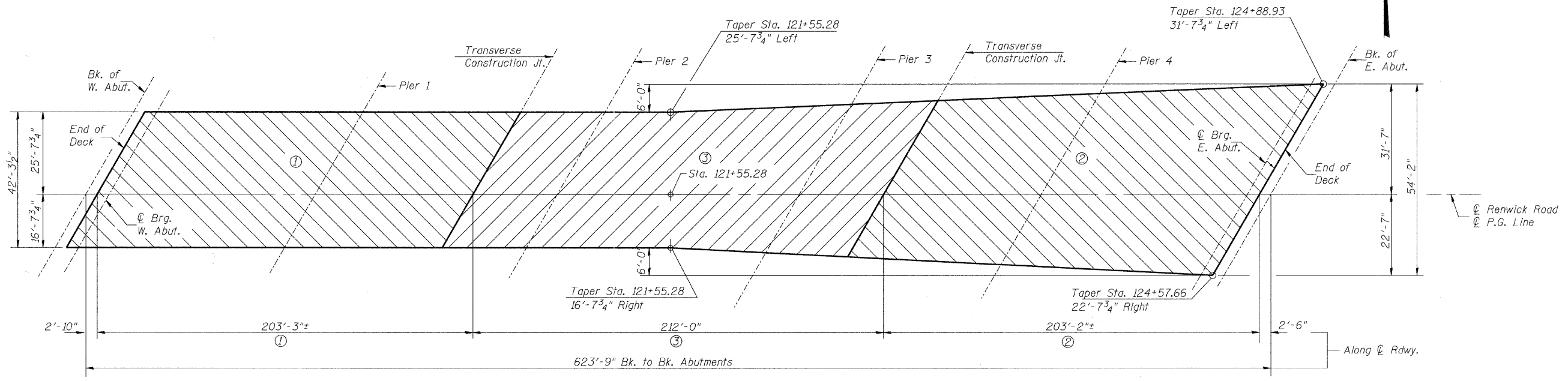


**FOOTING LAYOUT**



**DECK POURING SEQUENCE**

When the deck pour is stopped for the day at one or more of the transverse bonded construction joints in the deck pouring sequence, as shown, the next pour shall not be made until both of the following are met:

- 1) At least 72 hours shall have elapsed from the end of the previous pour.
- 2) The concrete strength shall have attained a minimum flexural strength of 650 psi or a minimum compressive strength of 3500 psi.

**FOOTING LAYOUT & DECK POURING SEQUENCE  
STRUCTURE NO. 099-4105**

DESIGNED	JOH
CHECKED	BAN
DRAWN	TC
CHECKED	JOH

SHEET NO. 3 60 SHEETS	RTE.	SECTION	COUNTY	TOTAL SHEETS	SHEET NO.
	TR 55	90-16103-01-BR	WILL	255	147
	SN 099-4105		CONTRACT NO. 83126		
	FED. ROAD DIST. NO. 7	ILLINOIS	FED. AID PROJECT BRS-		