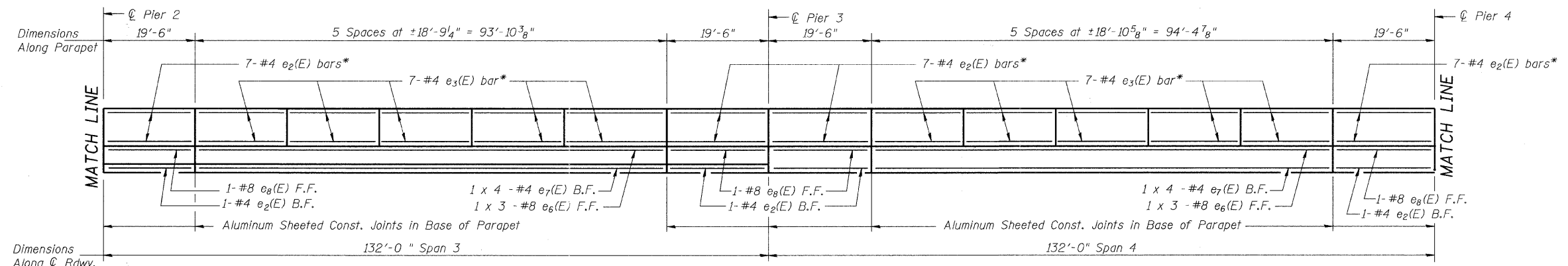
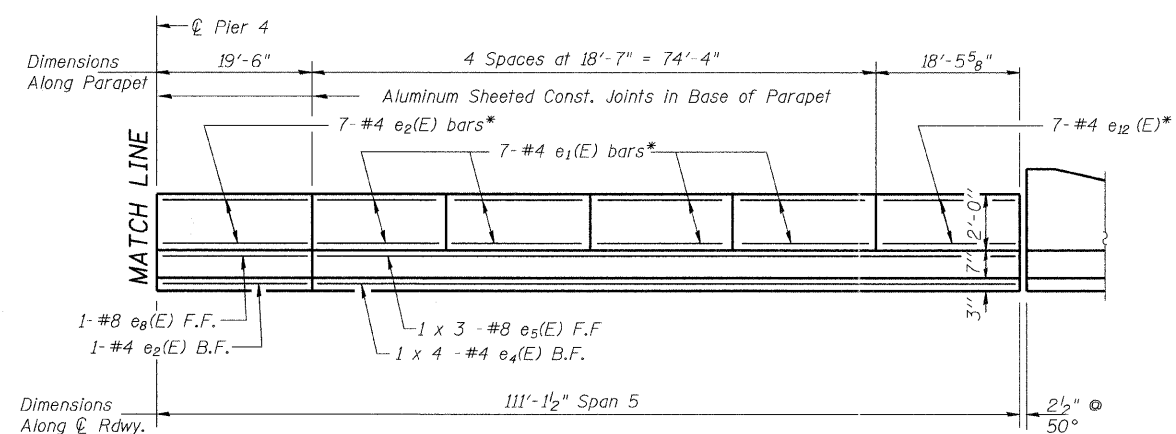


INSIDE ELEVATION OF PARAPET - SPANS 1 & 2



INSIDE ELEVATION OF PARAPET - SPANS 3 & 4



INSIDE ELEVATION OF PARAPET - SPAN 5

MIN. BAR LAP (PARAPET)

- #4 = 1'-4"
- #5 = 1'-8"
- #8 = 3'-5"

Notes:  
 \* See Section Thru Parapet Sheet 15 of 60.  
 F.F. = Front Face  
 B.F. = Back Face

NORTH PARAPET DETAILS  
 STRUCTURE NO. 099-4105

DESIGNED	JOH
CHECKED	BAN
DRAWN	TC
CHECKED	JOH

NORTH PARAPET  
 (Spans 1 Thru 5)

SHEET NO. 16	RTE.	SECTION	COUNTY	TOTAL SHEETS	SHEET NO.
	TR 55	90-16103-01-BR	WILL	255	160
60 SHEETS	SN 099-4105		CONTRACT NO. 83126		
	FED. ROAD DIST. NO. 7	ILLINOIS	FED. AID PROJECT BRS-		