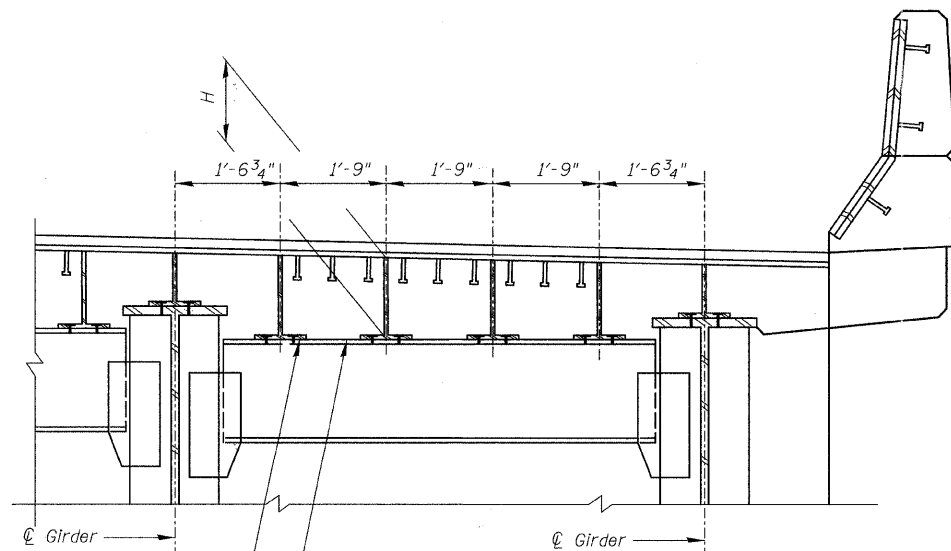
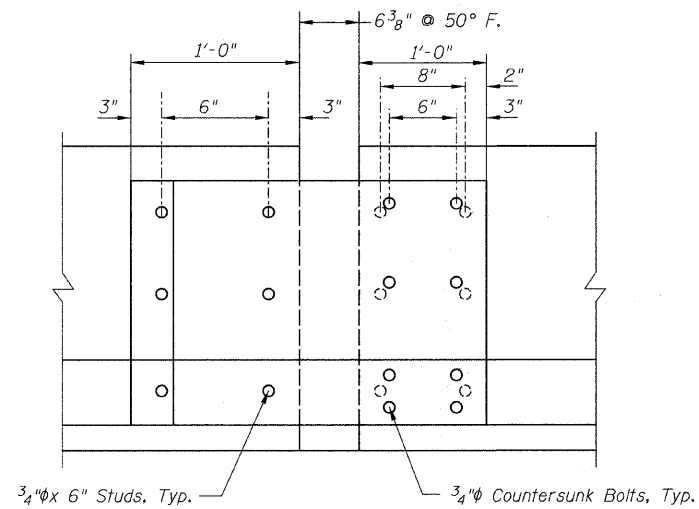


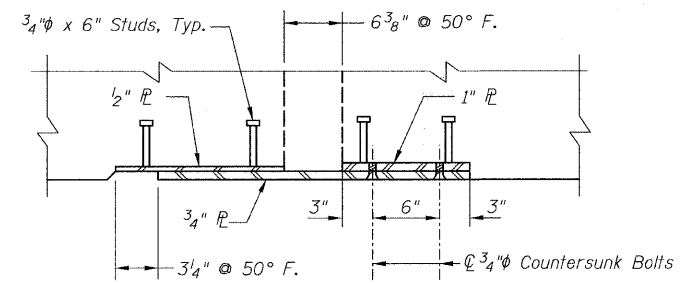
SECTION C-C THRU SLIDING PLATE



STOOL DETAIL

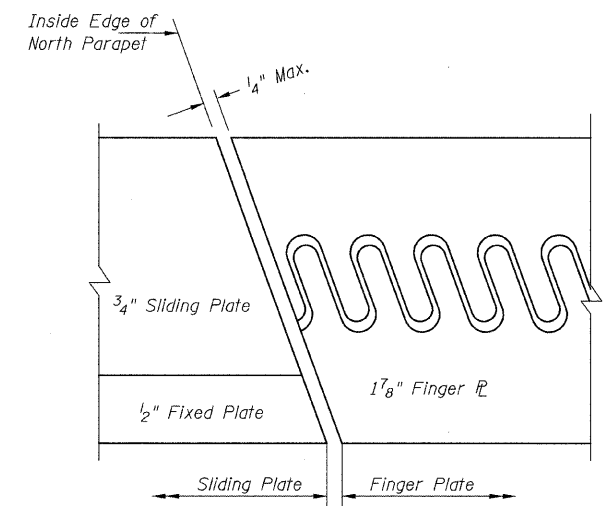


INSIDE ELEVATION OF PARAPET AT JOINT

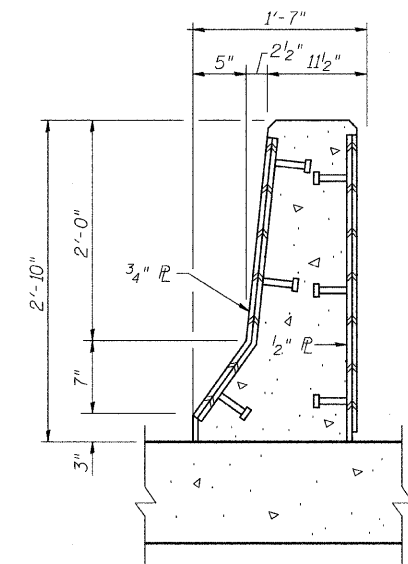


HORIZONTAL SECTION OF PARAPET AT JOINT

H = Stool Height
(See Table on Sheet 26 of 60.)



PLAN



SECTION THRU PARAPET AT JOINT

SLIDING PLATE DETAILS
AT WEST ABUTMENT
STRUCTURE NO. 099-4105

DESIGNED	JOH
CHECKED	BAN
DRAWN	TC
CHECKED	JOH

25458028

SHEET NO. 28	RTE.	SECTION	COUNTY	TOTAL SHEETS	SHEET NO.
	TR 55	90-16103-01-BR	WILL	255	172
60 SHEETS	SN 099-4105		CONTRACT NO. 83126		
FED. ROAD DIST. NO. 7 ILLINOIS			FED. AID PROJECT BRS-		