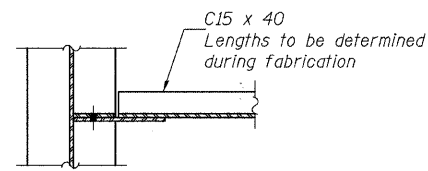


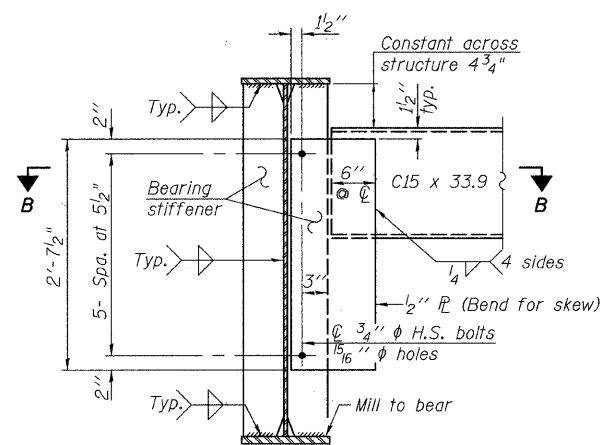
INTERIOR DIAPHRAGMS D & D4

(103 D required, & 60 D4 required)

Note: Two hardened washers required for each set of oversized holes.



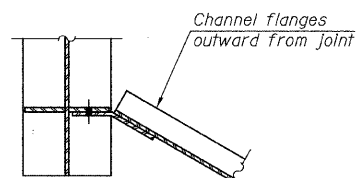
SECTION A-A



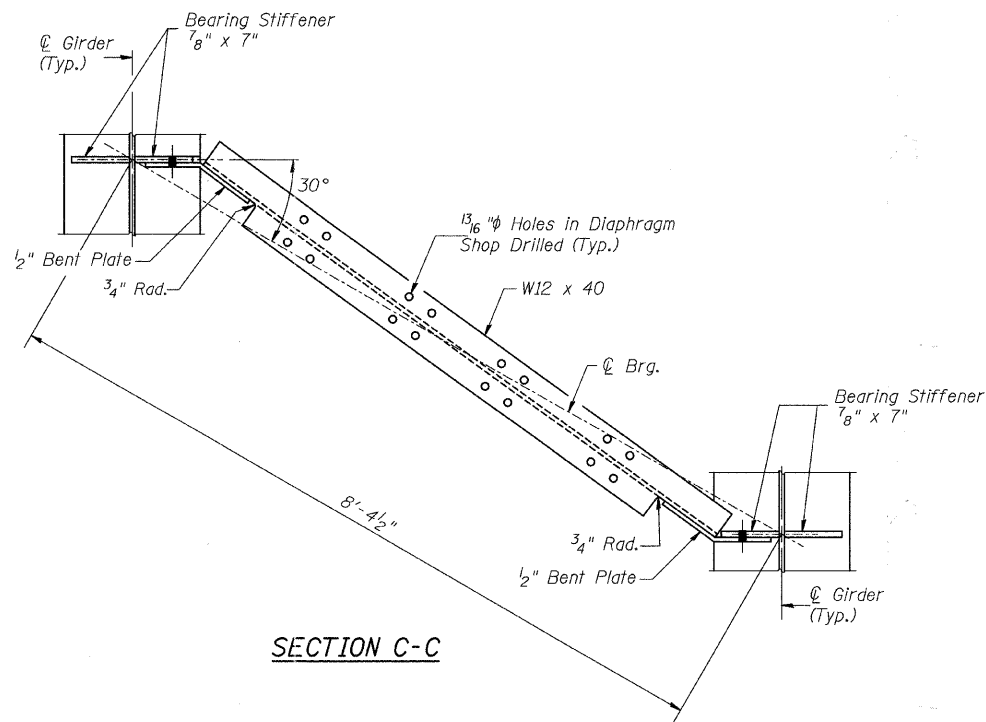
END DIAPHRAGMS AT EAST ABUTMENT D2 & D3

(3 D2 required, & 4 D3 required)

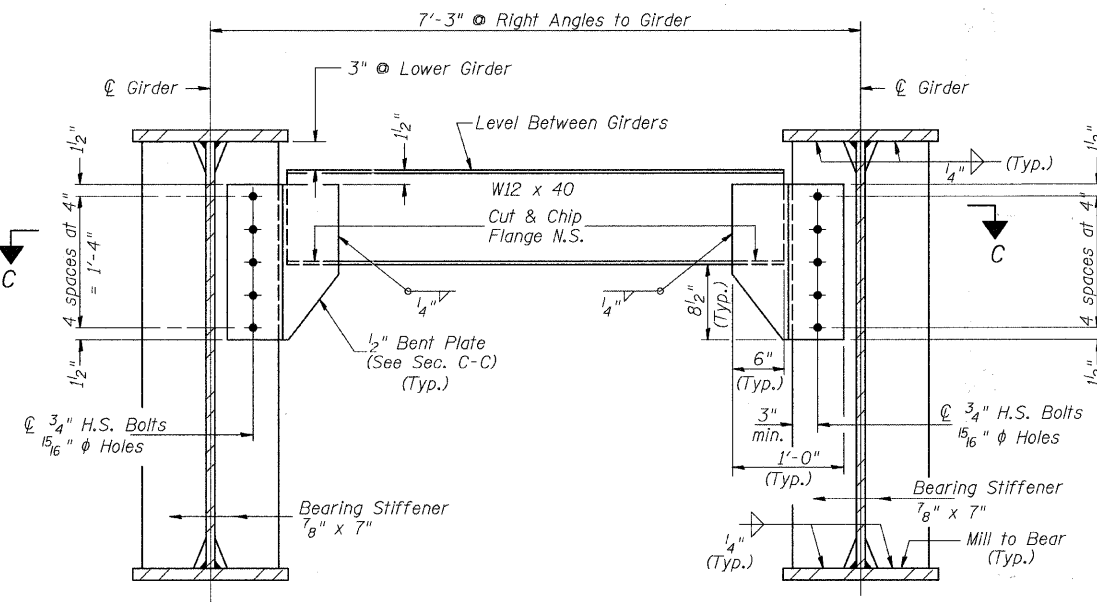
Note: Two hardened washers required for each set of oversized holes.



SECTION B-B



SECTION C-C



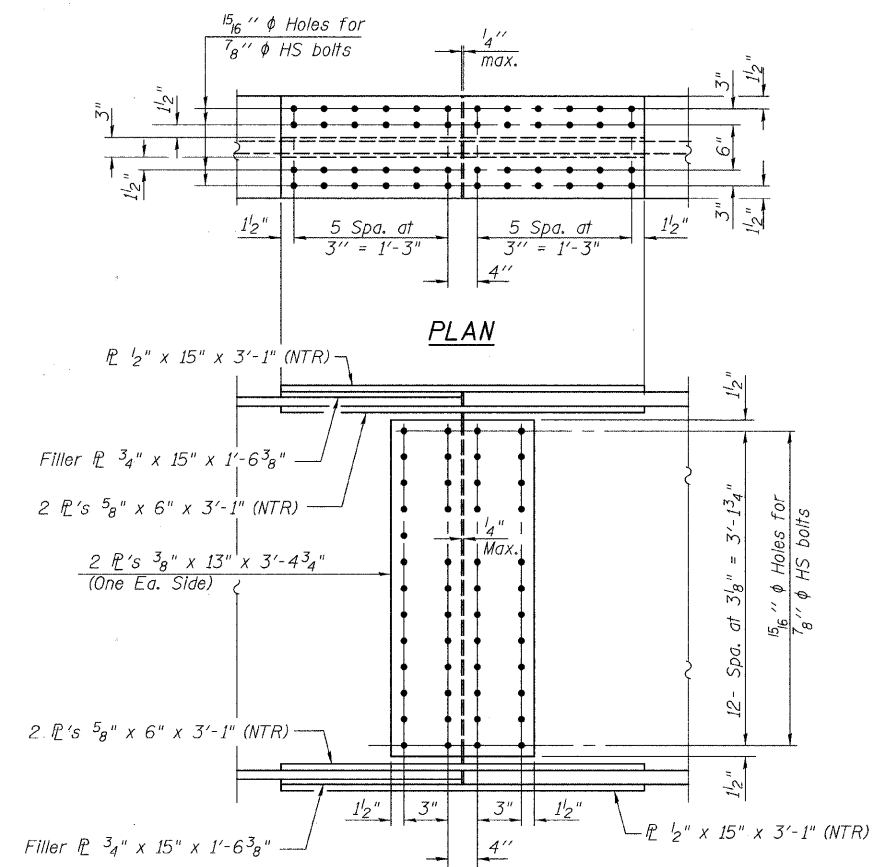
DIAPHRAGM D1

(5 Req'd.)

END DIAPHRAGM AT WEST ABUTMENT

Note: Two hardened washers required for each set of oversized holes.

Note: All cross frames or diaphragms shall be installed as steel is erected and secured with erection pins and bolts except as otherwise noted. Individual cross frames or diaphragms at supports may be temporarily disconnected to install bearing anchor rods.



PLAN

DETAIL - FIELD SPLICE

(56 Required)

Load carrying components designated "NTR" shall conform to the Supplemental Requirements for Notch Toughness, Zone 2. Use 7/8" H.S. Bolts with 15/16" holes for all splice connections.

DESIGNED	JOH
CHECKED	BAN
DRAWN	TC
CHECKED	JOH

25458033

SHEET NO. 33	RTE.		SECTION	COUNTY	TOTAL SHEETS	SHEET NO.
	60 SHEETS	TR 55	90-16103-01-BR	WILL	255	177
			SN 099-4105	CONTRACT NO. 83126		
FED. ROAD DIST. NO. 7 ILLINOIS				FED. AID PROJECT BRS-		

STRUCTURAL STEEL DETAILS
STRUCTURE NO. 099-4105