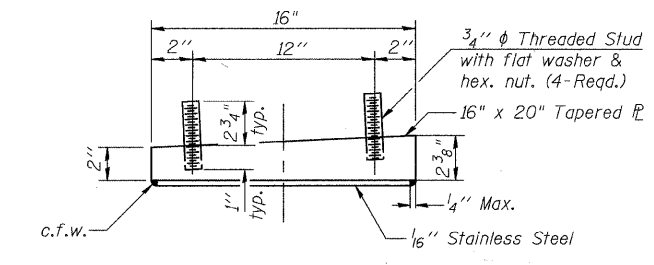
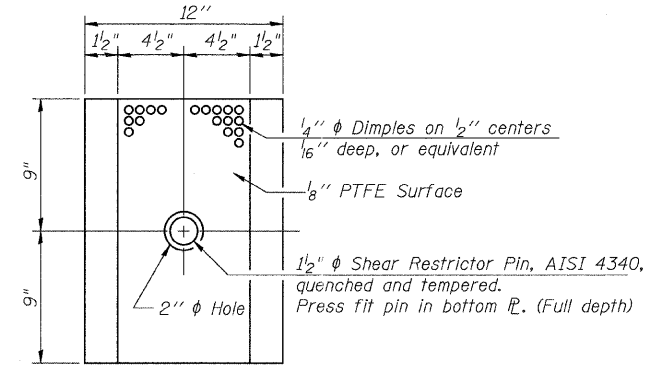


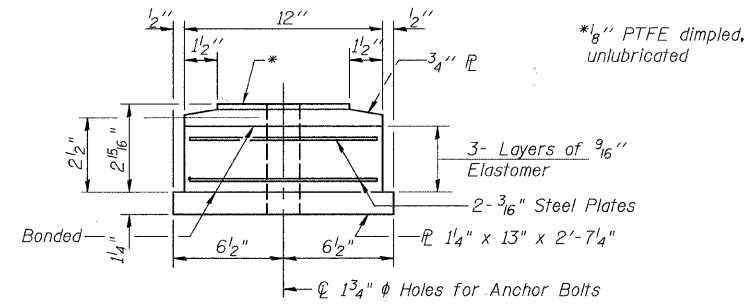
TYPE II ELASTOMERIC EXP. BRG.



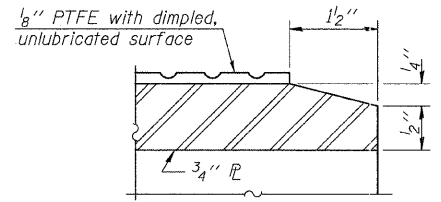
TOP BEARING ASSEMBLY



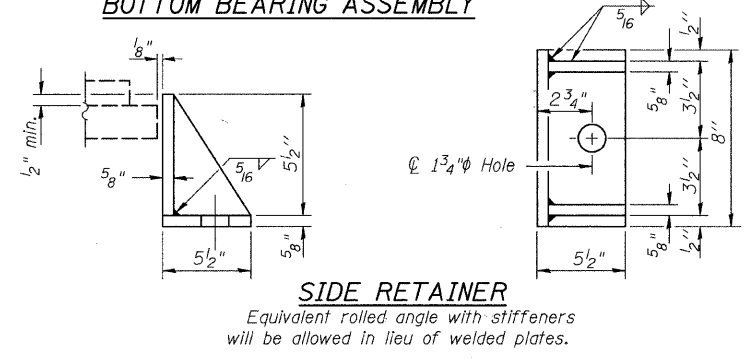
PLAN-PTFE ELASTOMERIC BRG.



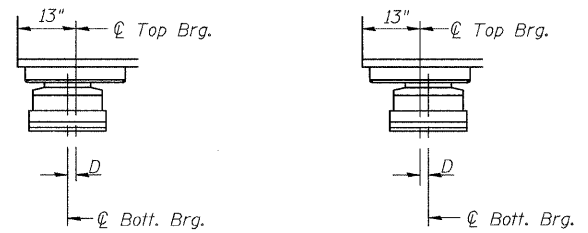
BOTTOM BEARING ASSEMBLY



SECTION THRU PTFE



SIDE RETAINER
Equivalent rolled angle with stiffeners will be allowed in lieu of welded plates.



SETTING ANCHOR BOLTS AT EXP. BRG.
BELOW 50° F. (Move bottom brg. away from fixed brg.) ABOVE 50° F. (Move bottom brg. toward fixed brg.)

$D = \frac{1}{8}''$ per each 100' of expansion for every 15° temp. change from the normal temp. of 50° F.

Notes:
Anchor bolts shall be ASTM F1554 all-thread (or an Engineer-approved alternate material) of the grade(s) and diameter(s) specified. ASTM A307 Grade C anchor bolts may be used in lieu of ASTM F1554 Grade 36 (Fy=36ksi). The corresponding specified grade of AASHTO M314 anchor bolts may be used in lieu of ASTM F1554.
Anchor bolts at fixed bearings may be either cast in place or installed in holes drilled after the supported member is in place.
Anchor bolts for Type II bearings shall be placed in holes drilled in the concrete through holes in the bottom bearing plate after members are in place. Side retainers shall be placed after bolts are installed.
Drilled and set anchor bolts shall be installed according to Article 521.06 of the Standard Specifications.
Side retainers and other steel members required for the bearing assembly shall be included in the cost of Elastomeric Bearing Assembly, Type II.
The 1/8" PTFE sheet shall be bonded directly to the top steel plate with a two-component, medium viscosity epoxy resin, conforming to the requirements of the Federal Specification MMM-A-134, Type I. The bond agent shall be applied on the full area of the contact surfaces.
Bonding of 1/8" PTFE sheet during vulcanizing process will be permitted provided the process and method of adjusting assembly height is approved by the Engineer.
Two 1/8 in. adjusting shims shall be provided for each bearing in addition to all other plates or shims and placed as shown on bearing details.
See sheet 37 of 60 for Shim Plate Schedule.

BILL OF MATERIAL

Item	Unit	Total
Elastomeric Bearing Assembly Type II	Each	8
Anchor Bolts 1 1/2"	Each	16

**BEARING DETAILS
STRUCTURE NO. 099-4105**

SHEET NO. 38 60 SHEETS	RTE.	SECTION	COUNTY	TOTAL SHEETS	SHEET NO.
	TR 55	90-16103-01-BR	WILL	255	182
SN 099-4105		CONTRACT NO. 83126			
FED. ROAD DIST. NO. 7 ILLINOIS		FED. AID PROJECT BRS-			

DESIGNED	JOH
CHECKED	BAN
DRAWN	TC
CHECKED	JOH