

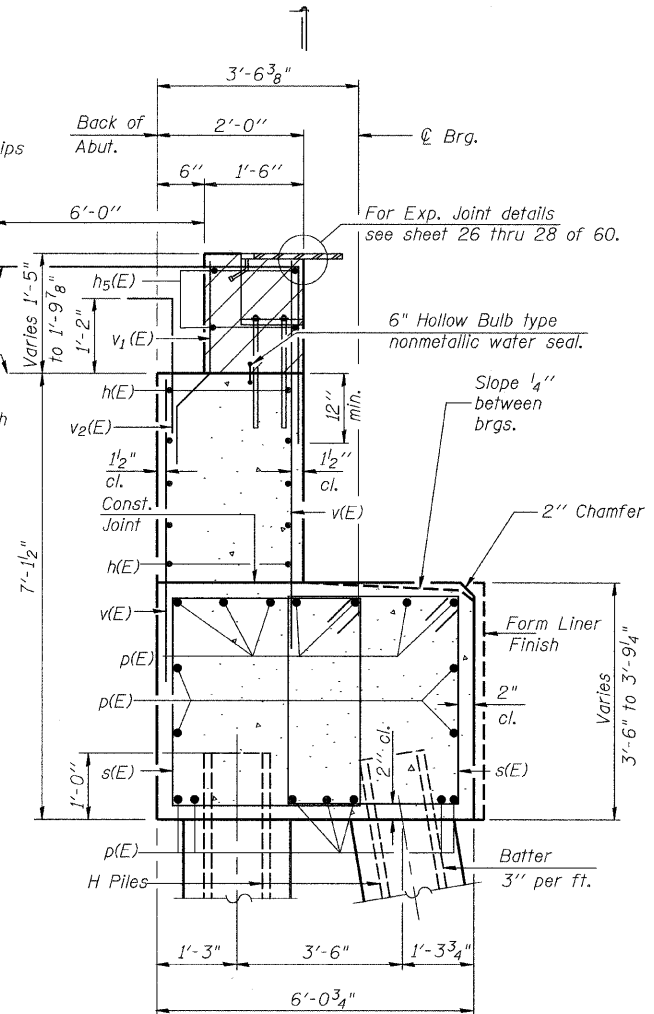
ELEVATION

PILE DATA

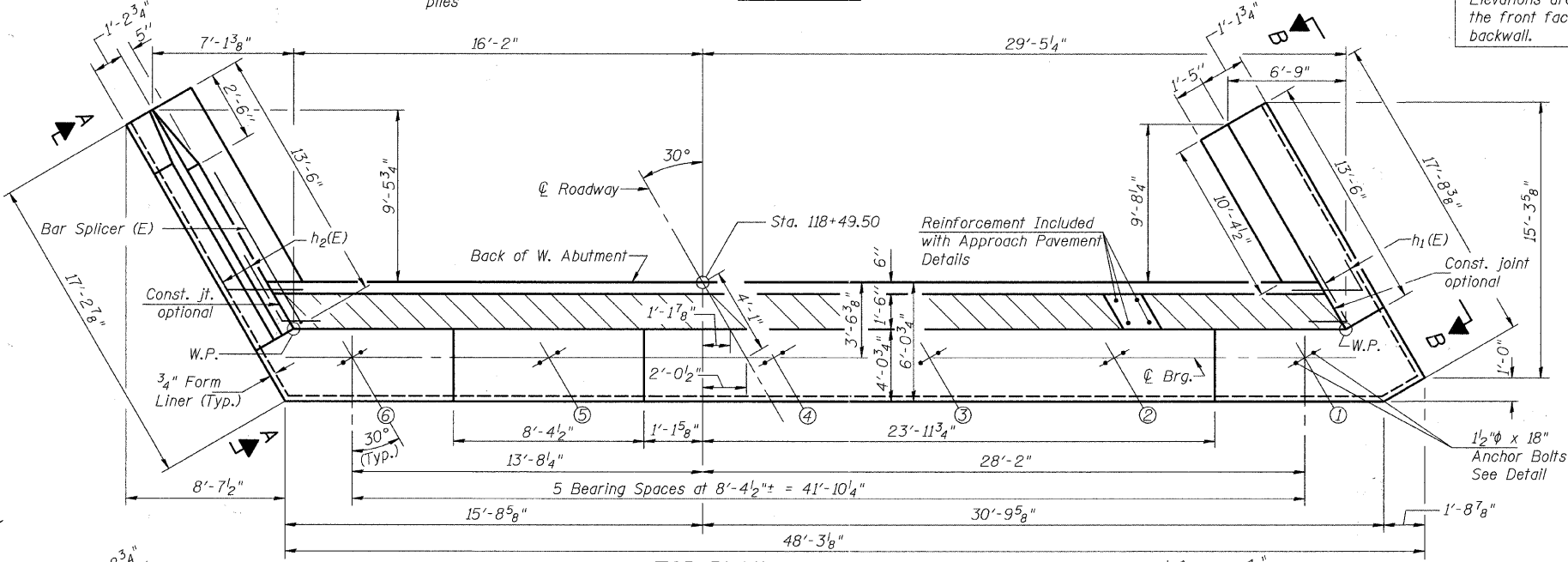
Type: HP12x63
 Nominal Required Bearing: 497 kips
 Allowable Resistance Available: 248 kips
 Est. Length: 25 ft.
 No. Production Piles: 10
 No. Test Piles: 1

Bar splicer (E) for #5 bars at 12" cts.
 Align splicer bars parallel to approach slab reinforcement

* Elevations are along the front face of backwall.



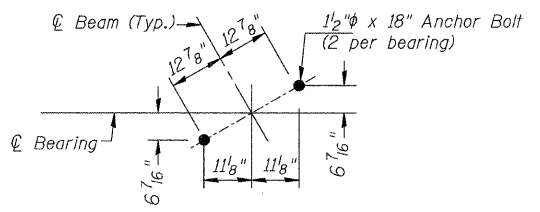
SECTION THRU ABUT.
 (© Rt. L's)



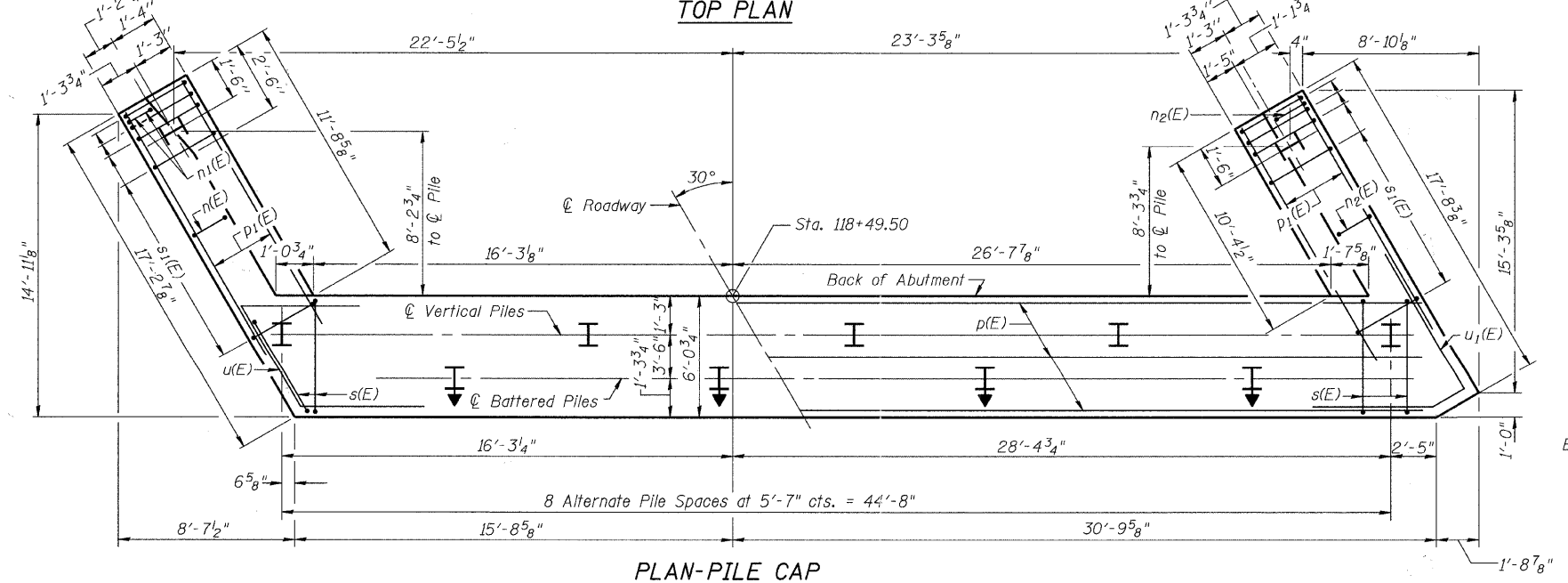
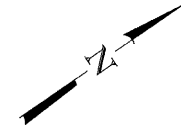
TOP PLAN

MIN. BAR LAPS

- #5 - 2'-2"
- #6 - 2'-7"
- #7 - 4'-10"



ANCHOR BOLT LAYOUT



PLAN-PILE CAP

Notes:
 Hatched area to be poured after superstructure false work has been removed. Quantity of concrete included with Concrete Superstructure.
 Space reinforcement in cap to miss anchor bolts.
 Pour steps monolithically with cap.
 Quantity of concrete in end post included with Concrete Superstructure on sheet 19 of 60.
 For Pile and Concrete Encasement details, see sheet 50 of 60.
 For Bar Splicer Details see sheet 49 of 60.

**WEST ABUTMENT
 STRUCTURE NO. 099-4105**

DESIGNED	JOH
CHECKED	BAN
DRAWN	TC
CHECKED	JOH

SHEET NO. 39 60 SHEETS	RTE.	SECTION	COUNTY	TOTAL SHEETS	SHEET NO.
	TR 55	90-16103-01-BR	WILL	255	183
SN 099-4105			CONTRACT NO. 83126		
FED. ROAD DIST. NO. 7 ILLINOIS			FED. AID PROJECT BRS-		