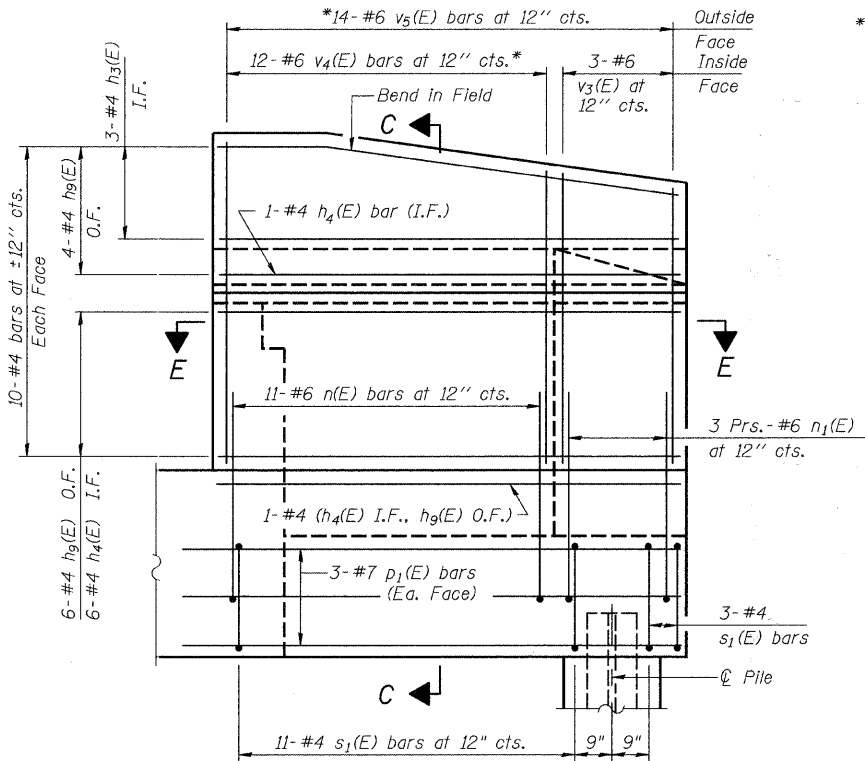
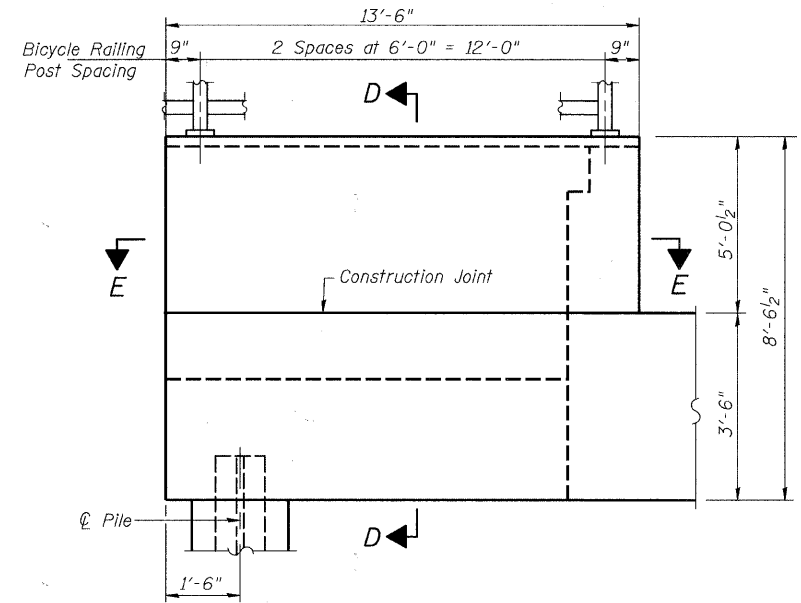


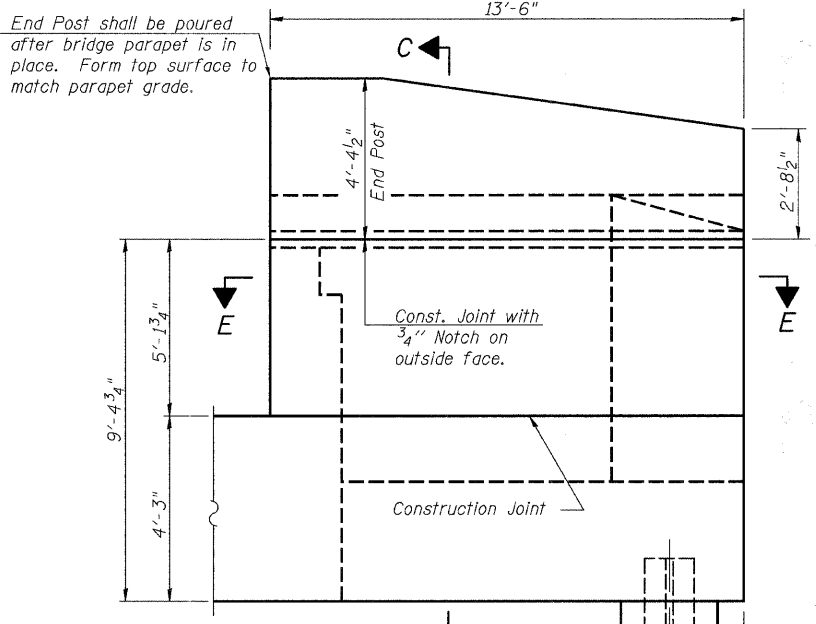
VIEW B-B
NORTH WING WALL ELEVATION
Showing Reinforcement



VIEW A-A
SOUTH WING WALL ELEVATION
Showing Reinforcement

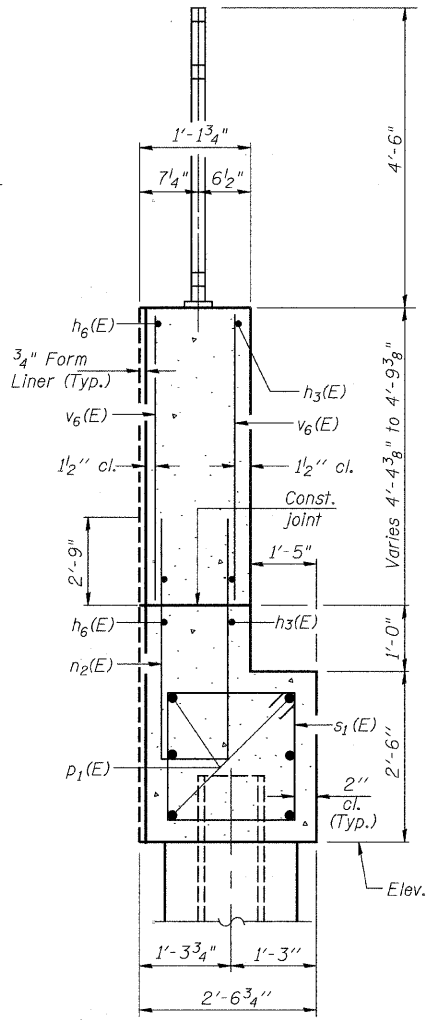


VIEW B-B
NORTH WING WALL ELEVATION
Showing Dimensions

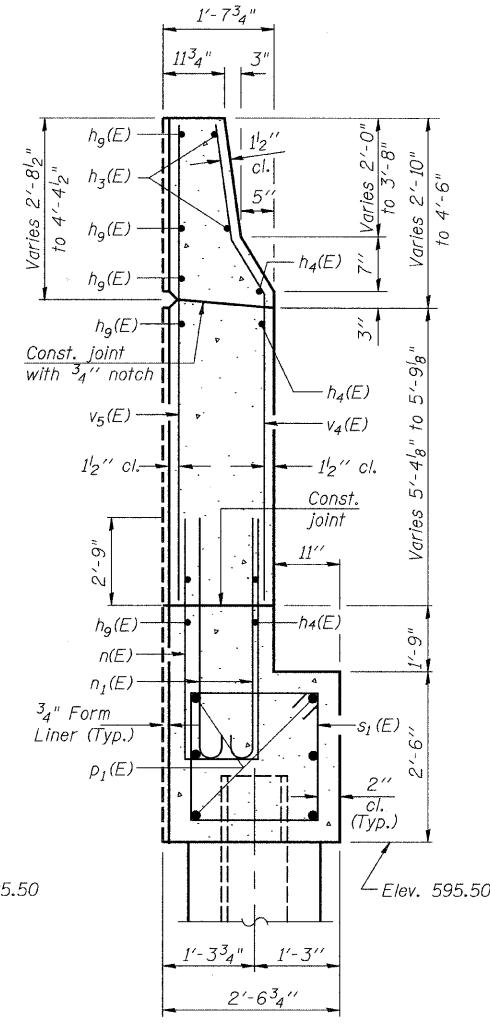


VIEW A-A
SOUTH WING WALL ELEVATION
Showing Dimensions

*Cut to fit as required



SEC. D-D



SEC. C-C

DESIGNED	JOH
CHECKED	BAN
DRAWN	TC
CHECKED	JOH

EAST ABUTMENT DETAILS
STRUCTURE NO. 099-4105

SHEET NO. 43 60 SHEETS	RTE.	SECTION	COUNTY	TOTAL SHEETS	SHEET NO.
	TR 55	90-16103-01-BR	WILL	255	187
SN 099-4105			CONTRACT NO. 83126		
FED. ROAD DIST. NO. 7 ILLINOIS			FED. AID PROJECT BRS-		