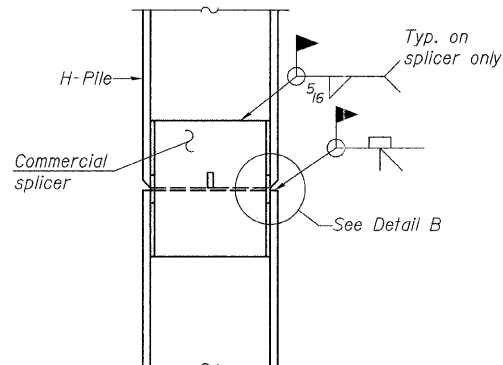
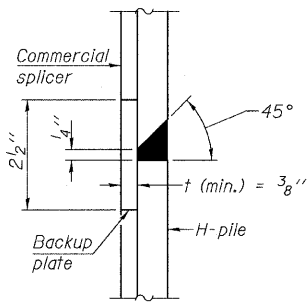


STEEL PILE TABLE

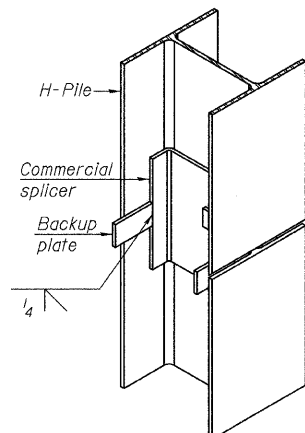
Designation	Depth d	Flange width bf	Web and Flange thickness t	Encasement diameter A
HP 14x117	14 1/4"	14 7/8"	13/16"	30"
x102	14"	14 3/4"	1/16"	30"
x89	13 7/8"	14 3/4"	5/8"	30"
x73	13 5/8"	14 5/8"	1/2"	30"
HP 12x84	12 1/4"	12 1/4"	1/16"	24"
x74	12 1/8"	12 1/4"	5/8"	24"
x63	12"	12 1/8"	1/2"	24"
x53	11 3/4"	12"	7/16"	24"
HP 10x57	10"	10 1/4"	9/16"	24"
x42	9 3/4"	10 1/8"	7/16"	24"
HP 8x36	8"	8 1/8"	7/16"	18"



ELEVATION

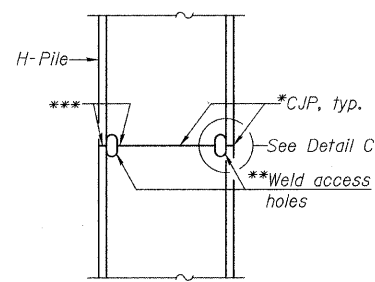


DETAIL "B"

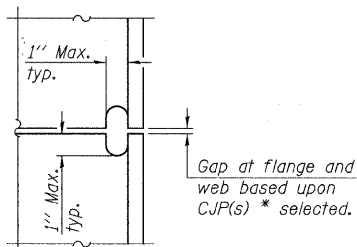


ISOMETRIC VIEW

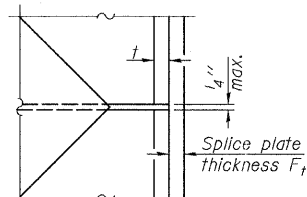
WELDED COMMERCIAL SPLICE



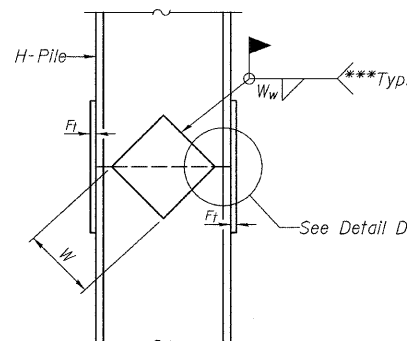
ELEVATION



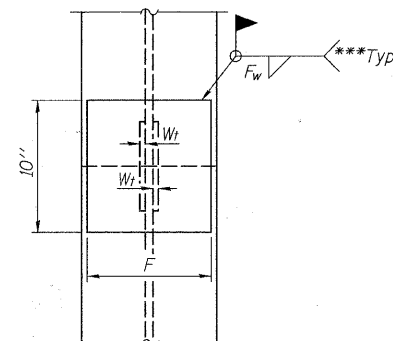
DETAIL C



DETAIL D



ELEVATION

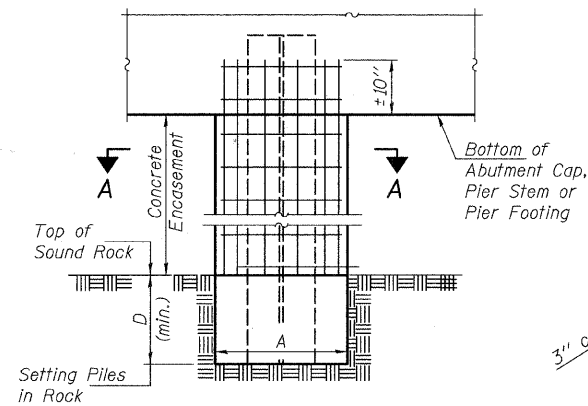


END VIEW

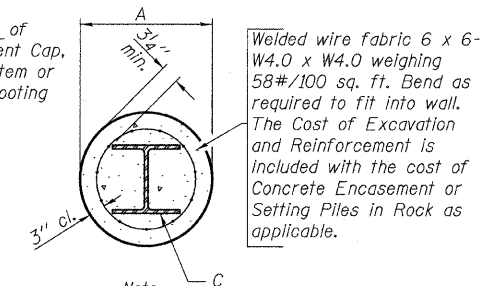
WELDED PLATE FIELD SPLICE

PILE ENCASEMENT

Designation	A	D	C
W. Abut.	2'-0"	-	HP 12x63
Pier #1	2'-6"	8'-0"	HP 14x102
Pier #2	2'-6"	12'-0"	HP 14x89
Pier #3	2'-6"	6'-0"	HP 14x89
Pier #4	2'-0"	6'-0"	HP 12x84
E. Abut.	2'-0"	-	HP 12x63

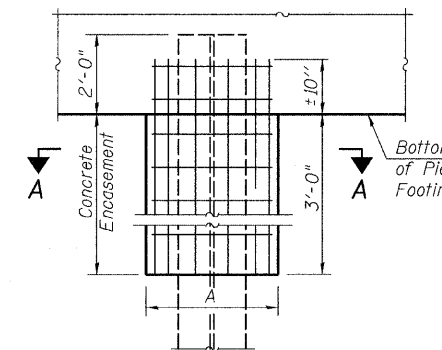


**ELEVATION
PILE ENCASEMENT @ PIERS**



SECTION A-A

Note: Forms for encasement may be omitted when soil conditions permit.



**ELEVATION
PILE ENCASEMENT @ ABUTMENTS**

Designation	F	Ft	Fw	W	Wt	Ww
HP 14x117	12 1/2"	1"	7/8"	7 3/4"	5 1/2"	1 1/2"
x102	12 1/2"	7/8"	3/4"	7 3/4"	5 1/2"	1 1/2"
x89	12 1/2"	3/4"	1/16"	7 3/4"	5 1/2"	1 1/2"
x73	12 1/2"	5/8"	9/16"	7 3/4"	5 1/2"	1 1/2"
HP 12x84	10"	7/8"	1/16"	6 1/2"	5 1/2"	1 1/2"
x74	10"	7/8"	1/16"	6 1/2"	5 1/2"	1 1/2"
x63	10"	5/8"	1/2"	6 1/2"	1 1/2"	3/8"
x53	10"	5/8"	1/2"	6 1/2"	1 1/2"	3/8"
HP 10x57	8"	3/4"	9/16"	5 1/4"	1 1/2"	3/8"
x42	8"	5/8"	9/16"	5 1/4"	1 1/2"	3/8"
HP 8x36	7"	5/8"	7/16"	4 1/4"	1 1/2"	3/8"

COMPLETE PENETRATION WELD SPLICE

- * Use joint conforming to Figure 3.4 in AWS D1.1, Structure Welding Code - Steel.
- ** Preparation per Fig. 5.2 in AWS D1.1, Structure Welding Code - Steel.
- *** Interrupt welds 1/4" from end of each pile.

Note: The steel H-piles shall be according to AASHTO M270 Grade 50.

DESIGNED	JOH
CHECKED	BAN
DRAWN	TC
CHECKED	JOH

25458050

**HP PILE DETAILS
STRUCTURE NO. 099-4105**

SHEET NO. 50 60 SHEETS	RTE.	SECTION	COUNTY	TOTAL SHEETS	SHEET NO.
	TR 55	90-16103-01-BR	WILL	255	194
SN 099-4105			CONTRACT NO. 83126		
FED. ROAD DIST. NO. 7 ILLINOIS			FED. AID PROJECT BRS-		