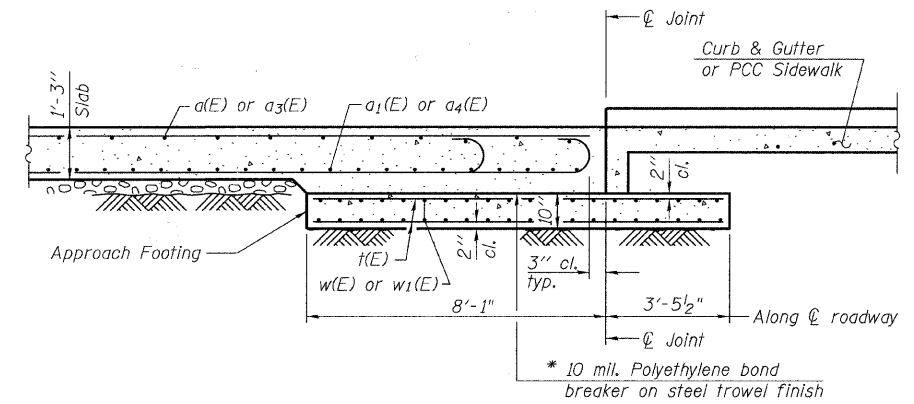
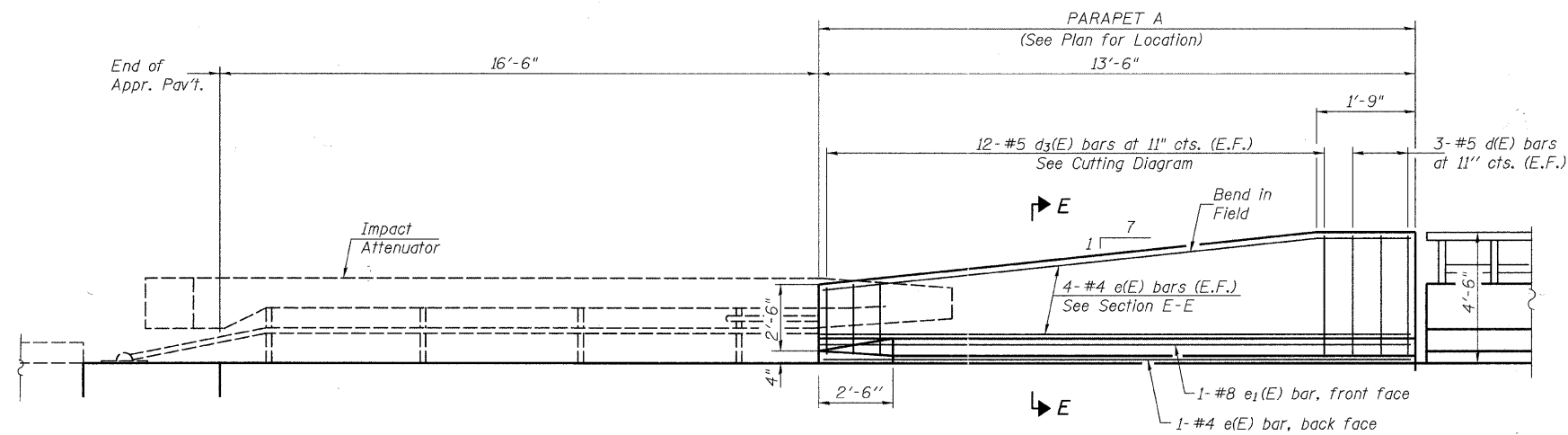


SECTION E-E

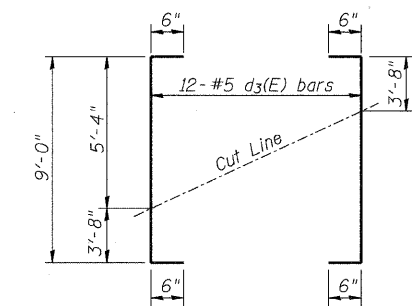


SECTION G-G

* Cost included with Concrete Superstructure.



ELEVATION PARAPET WALL A



FIELD CUTTING DIAGRAM, BAR $d_3(E)$

Order $d_3(E)$ full length. Cut as shown and use remainder of bars in opposite face.

(Sheet 3 of 3)
BRIDGE APPROACH SLAB DETAILS
STRUCTURE NO. 099-4105

SHEET NO. 53	RTE.	SECTION	COUNTY	TOTAL SHEETS	SHEET NO.
	TR 55	90-16103-01-BR	WILL	255	197
60 SHEETS	SN 099-4105		CONTRACT NO. 83126		
FED. ROAD DIST. NO. 7 ILLINOIS			FED. AID PROJECT BRS-		