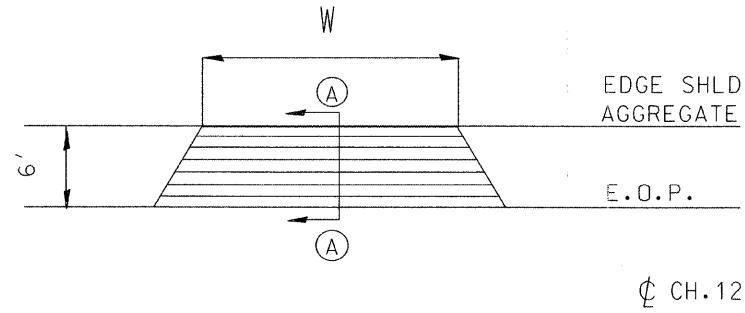
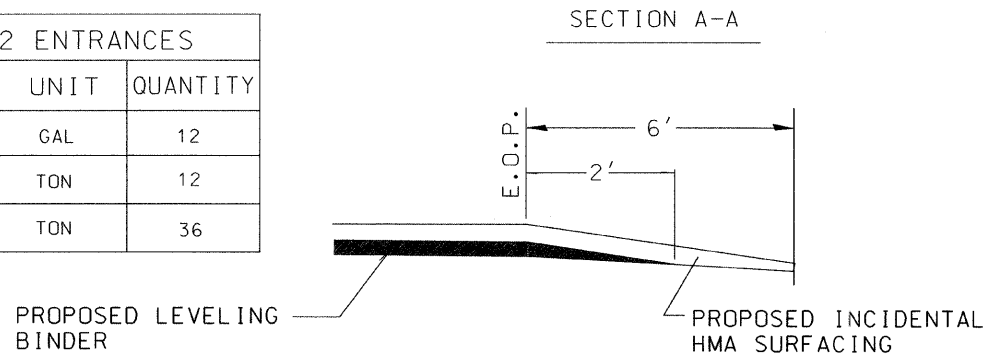


TYPICAL ENTRANCE DETAIL

W :WIDTH OF APPROACH PADS IS ESTIMATED AT 20' PER ENTRANCE . THE ACTUAL CONSTRUCTED WIDTH MAY VARY AS DIRECTED BY THE ENGINEER TO FIT THE EXISTING ENTRANCES . FIELD ENTRANCES SHALL NOT RECEIVE HOT-MIX ASPHALT SURFACING UNLESS DIRECTED BY THE ENGINEER.



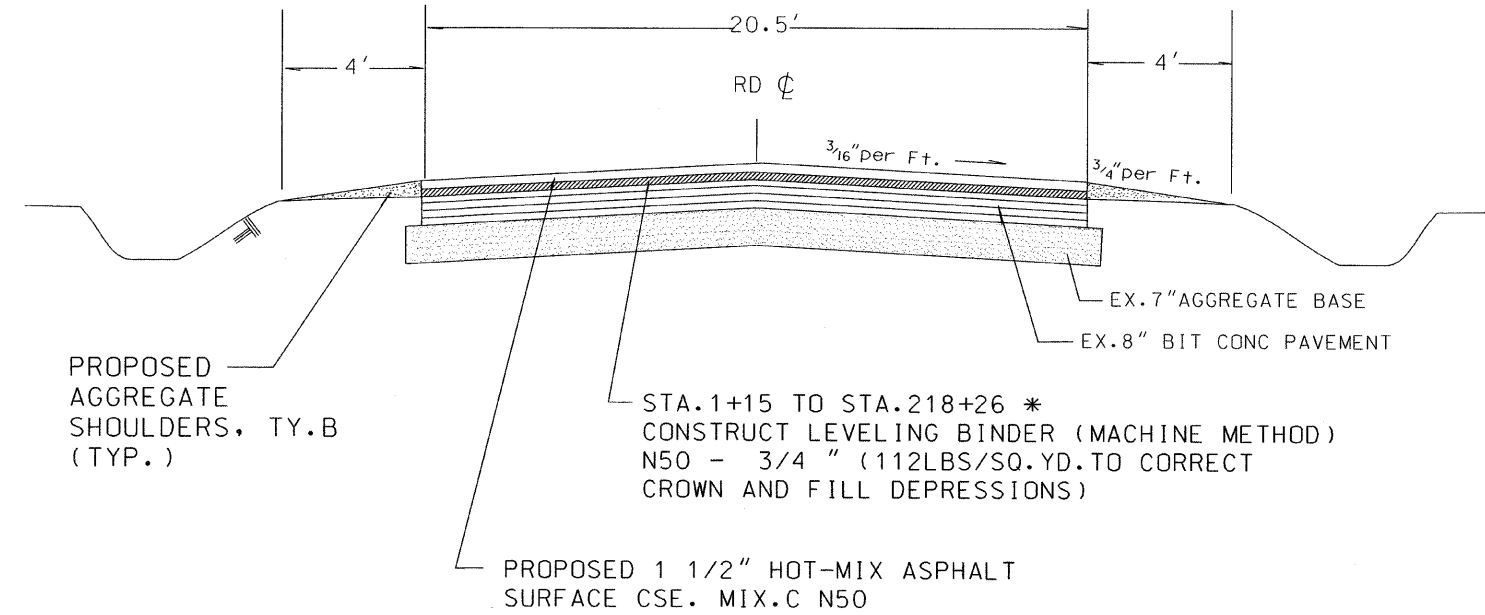
ESTIMATED QUANTITIES- 12 ENTRANCES		
ITEM	UNIT	QUANTITY
BITUMINOUS MATERIALS (PRIME COAT)	GAL	12
LEVELING BINDER (MM) N50	TON	12
INCIDENTAL HMA SURFACING	TON	36



SECTION	COUNTY	TOTAL SHEETS	SHEET NO.
09-00027-01-RS	KANKAKEE	3	2
CONTRACT NO. 87490			

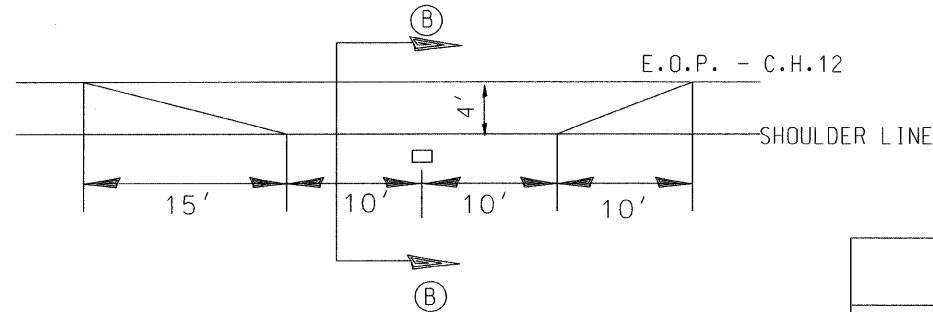
TYPICAL CROSS SECTION

STA. 0+85 TO STA. 218+56

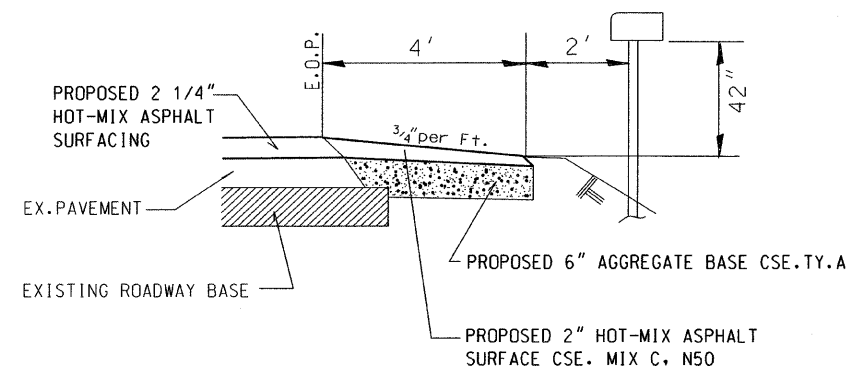


* LEVELING BINDER OMISSIONS:
 STA. 186+55 to STA. 187+23
 STA. 10+31 to STA. 12+69
 STA. 85+54 to STA. 87+37
 STA. 155+26 to STA. 157+16

TYPICAL MAILBOX TURNOUT DETAIL



SECTION B-B



ESTIMATED QUANTITIES - 6 MAILBOX TURNOUTS		
ITEM	UNIT	QUANTITY
EARTH EXCAVATION	CU YD	20
AGGREGATE BASE CSE. TY. A	TON	42
BIT. MATERIALS (PRIME COAT)	GAL	6
HOT-MIX ASPHALT SURFACE CSE MIX C N50	TON	18

MAILBOX TURNOUT SCHEDULE

STATION	SIDE
25+36	LT
39+90	LT
42+63	LT
130+97	RT
170+97	RT
177+80	LT

ESTIMATED QUANTITIES ON TANGENTS

ITEM	UNIT	QUANTITY
AGGREGATE SHOULDERS TY.B	TON	2777
BITUMINOUS MATERIALS (PRIME COAT)	GALLON	9765
AGGREGATE (PRIME COAT)	TON	195
HOT-MIX ASPHALT SURFACE CSE MIX C, N50	TON	4199
LEVELING BINDER (MM) N50	TON	2692
SHORT-TERM PAVEMENT MARKING	FOOT	4287