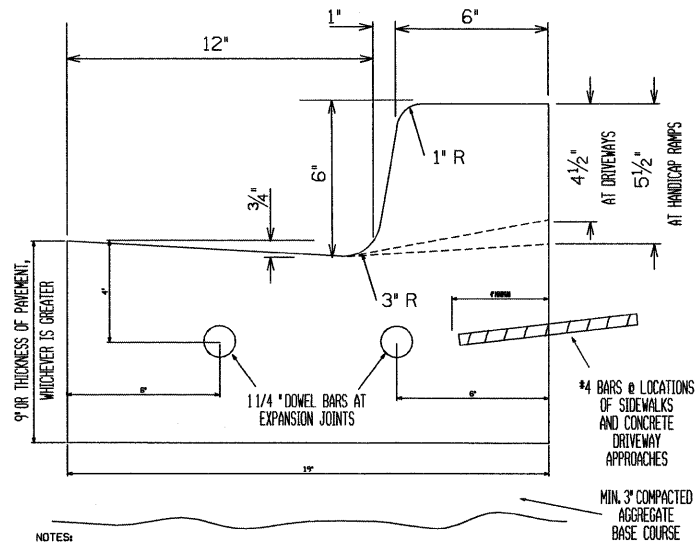


SAME AS STATE STD.606001 FOR DOWEL BAR



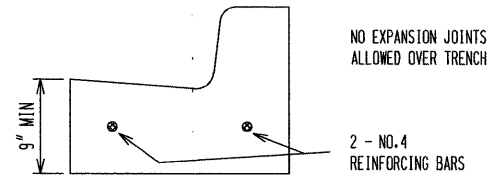
- NOTES:
- 1) BITUMINOUS PREFORMED EXPANSION INORGANIC FIBRE JOINT FILLER, CONFORMING TO AASHTO STANDARD M 213, CUT TO THE SHAPE OF THE COMBINATION CURB AND GUTTER SHALL BE PLACED AT 100' INTERVALS, AT ALL P.C. AND P.T. POINTS AND AT BOTH SIDES OF ANY STRUCTURE IN THE CURB LINE. SAWED CONTRACTION JOINTS, 2" DEEP ARE TO BE PLACED AT 25' INTERVALS BETWEEN EXPANSION JOINTS. ALL EXPANSION AND CONTRACTION JOINTS ARE TO BE FILLED WITH JOINT SEALER CONFORMING TO SECTION 105B.01 OF THE STANDARD SPECIFICATIONS.
 - 2) TWO 1-1/4" EPOXY COATED DOWEL BARS, 18" LONG WITH A PINCHED STOP THAT WILL PROVIDE 1" EXPANSION, SHALL BE PLACED THROUGH EACH EXPANSION JOINT.
 - 3) AT LOCATIONS OF CURB AND GUTTER PATCHING, BOTH FRONT AND BACK FORMS ARE TO BE USED, UNLESS OTHERWISE SPECIFIED BY THE ENGINEER.
 - 4) TEMPORARY HOT MIX ASPHALT PATCHING SHALL BE PLACED IN FRONT OF AND AGGREGATE BEHIND ALL CURB AND GUTTER AT DRIVEWAYS, SIDEWALKS AND LOCATIONS WITH HIGH PEDESTRIAN TRAFFIC SPECIFIED BY THE ENGINEER.
 - 5) 2 LENGTHS OF CONTINUOUS #4 REBARS SHALL BE PLACED THROUGH ALLEY AND COMMERCIAL DRIVE ENTRANCES OR AS DIRECTED BY THE ENGINEER.

STANDARD DETAIL FOR
P.C.C. COMBINATION CONCRETE CURB
AND GUTTER, B-6.12

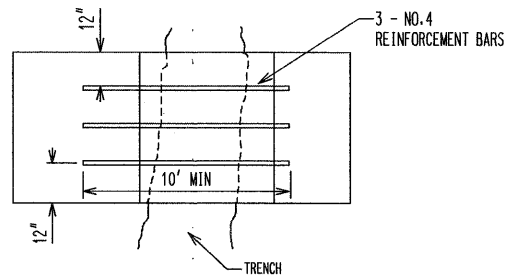
REVISIONS
RBR 7/11/08

CITY OF DEKALB
STREET
STANDARD
ST-100

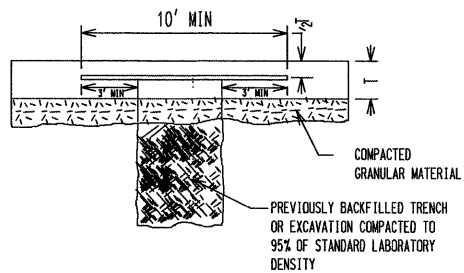
TYPICAL
PLACEMENT IN
CURB & GUTTER
SECTION



TYPICAL
PLACEMENT IN
SIDEWALK SECTION



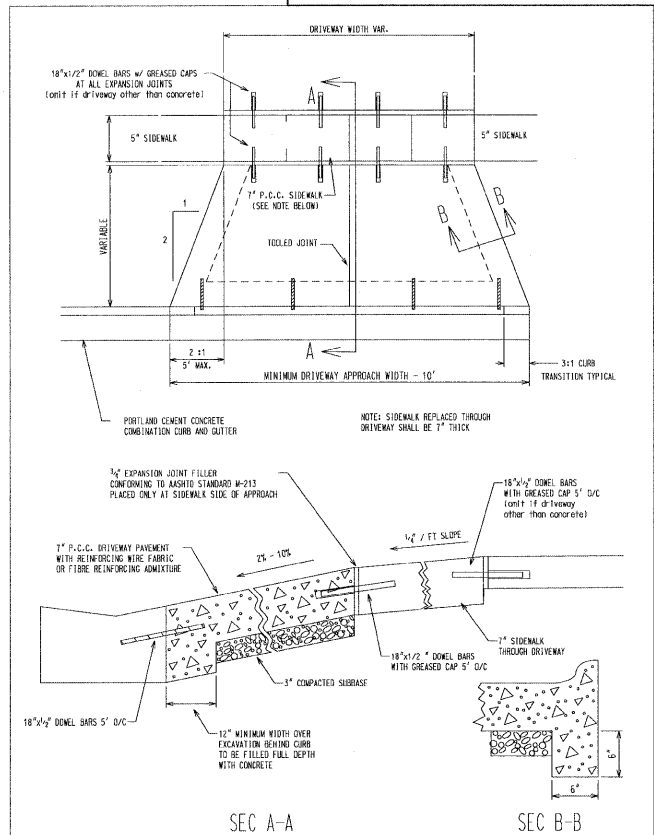
TYPICAL BAR
LENGTH
REQUIREMENTS
OVER TRENCH



STANDARD DETAIL FOR
REINFORCING CURB & GUTTER OR
SIDEWALK INSTALLED OVER A TRENCH

REVISIONS
01/03/01 CEW

CITY OF DEKALB
STREET STANDARD
ST-103

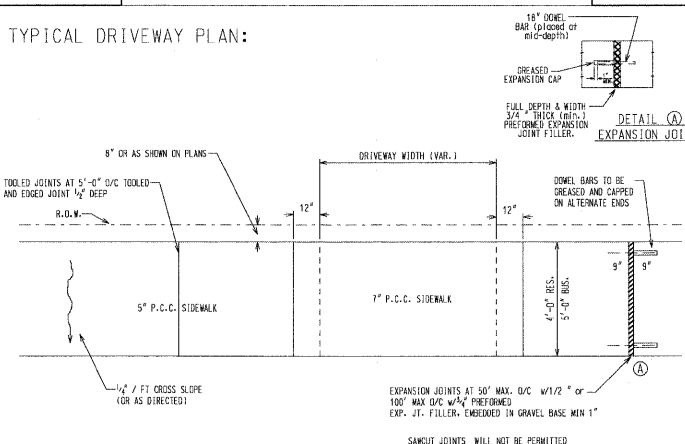


STANDARD DETAIL
FOR
P.C.C. DRIVE APPROACHES

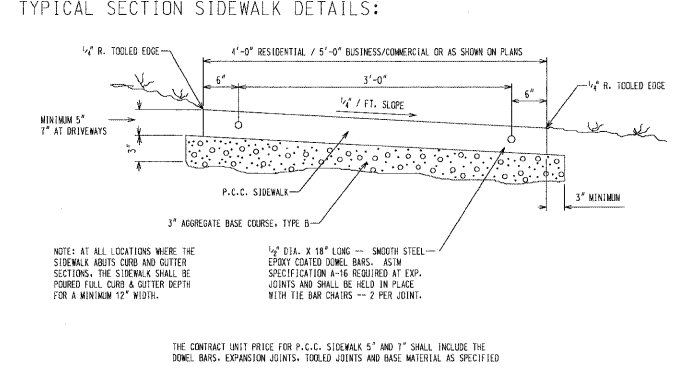
REVISIONS
02/09/10 RBR

CITY OF DEKALB
STREET STANDARD
ST-104

TYPICAL DRIVEWAY PLAN:



TYPICAL SECTION SIDEWALK DETAILS:

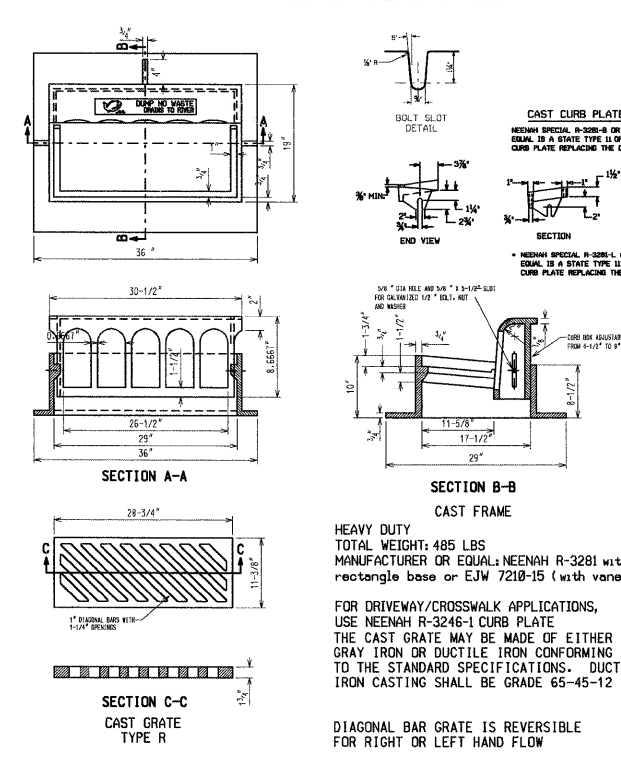


STANDARD DETAIL
FOR
P.C.C. SIDEWALK, 5" & 7"

REVISIONS
02/09/10 RBR

CITY OF DEKALB
STREET STANDARD
ST-105

STANDARD DESIGN
FRAME AND GRATE TYPE 11 / #11V



STANDARD DETAIL FOR
BARRIER CURB
FRAME AND GRATE
(STATE TYPE 11)

REVISIONS
7/18/05 RBR

CITY OF DEKALB
STORM SEWER STANDARD
SS-206

FILE NAME = P:\2011\110113\cad\phase 2\dwg\110113 - S	USER NAME = #USER# State Standards.dgn	DESIGNED -	REVISIONS -	REVISOR -	STATE OF ILLINOIS DEPARTMENT OF TRANSPORTATION	DEKALB STANDARDS NORTH FIRST STREET	F.A. RTE. 5352	SECTION 09-00176-01-RS	COUNTY DeKALB	TOTAL SHEETS 15	SHEET NO. 15
PLOT SCALE = #SCALE#	PLOT DATE = 5/24/2011	DRAWN -	CHECKED -	DATE -	SCALE:	SHEET NO. OF SHEETS STA. TO STA.	ILLINOIS FED. AID PROJECT 87492				